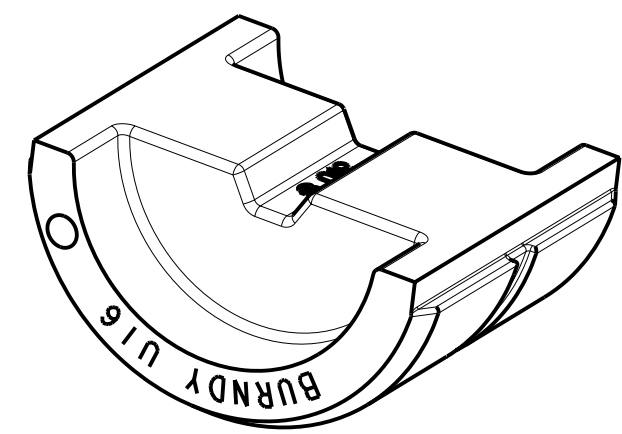
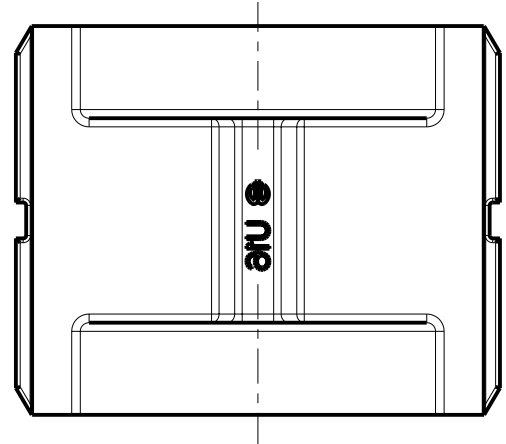
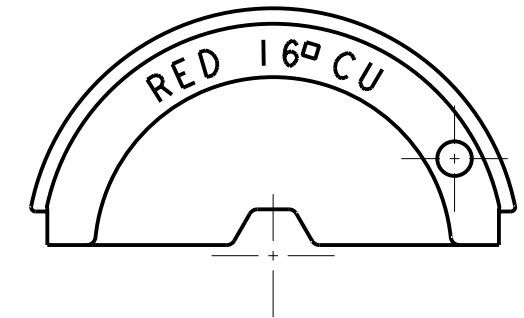
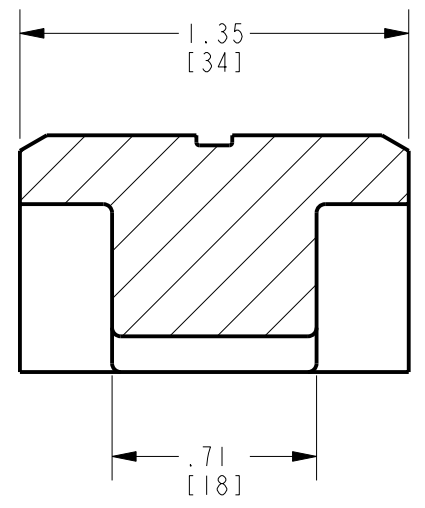
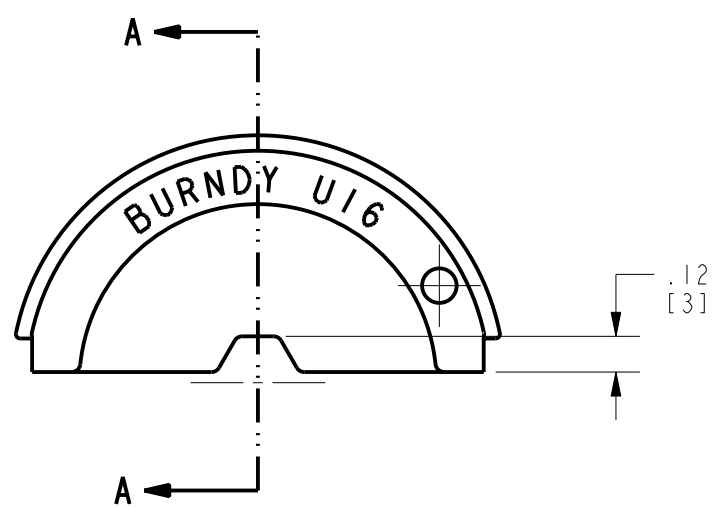


REV.	DATE	DESCRIPTION	ECO	BY	C'H'K.
A	12/12/2012 00:00:00 AM	CREATE SALES DRAWING FOR U16	29757	BD	MB



3D VIEW

NOTES:

- DIMENSIONS IN BRACKETS [] ARE IN MILLIMETERS ROUNDED OFF TO THE NEAREST MILLIMETER, UNLESS OTHERWISE NOTED, AND ARE FOR REFERENCE ONLY.
- MATERIAL: STAINLESS STEEL

TO ORDER BURNDY® PRODUCTS CALL
 UNITED STATES:
 1-800-346-4175 (LONDONDERRY, NH)
 CANADA:
 1-800-361-6975 (QUEBEC)
 1-800-387-6487 (ALL OTHER PROVINCES)
 FOR PRODUCT INFO: <http://www.burndy.com>

DIE, HEXAGONAL CRIMP		SCALE: 1:1
ITEM NO: 420318		DRAWING NO
CAT. NO: U16		
DRAWN BY: B. DURAIACHAMY	12/12/12	REV
CHECKER: P. WASON	12/20/12	
DSN APPVL: P. WASON	--	A
MFG APPVL: --	12/20/12	
QA APPVL: J. BRODEUR	1/2/2013	SHEET 1 OF 1
MKT APPVL: M. RZASA	12/20/12	
PROJECT #: --	SIZE B	
DOCUMENT TYPE: Sales		
REL LEVEL: Released		

REV: PE0200