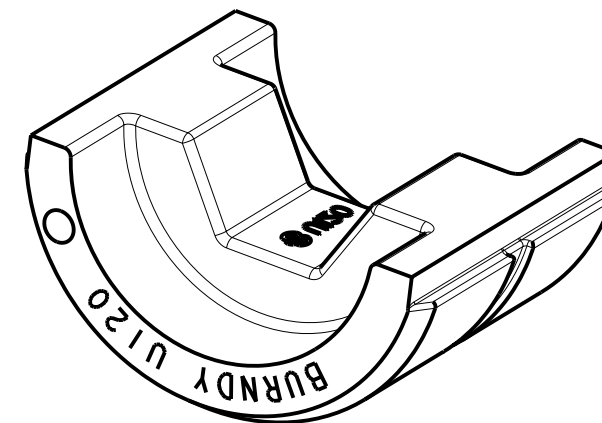
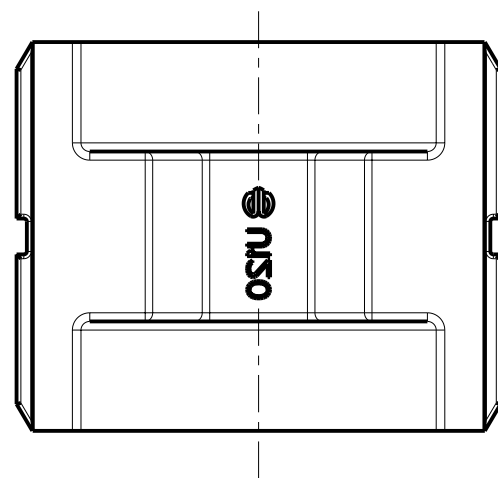
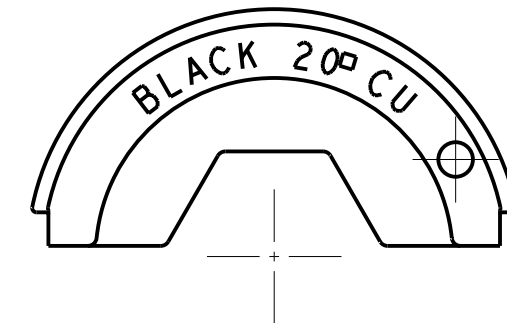
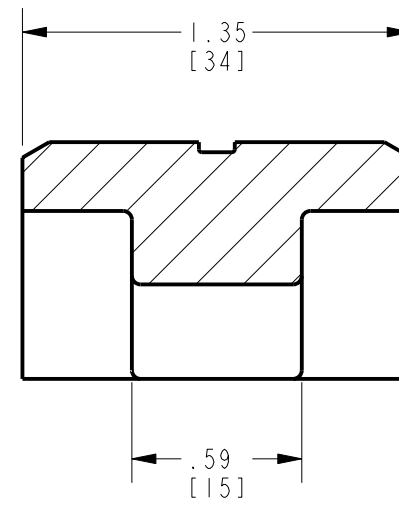
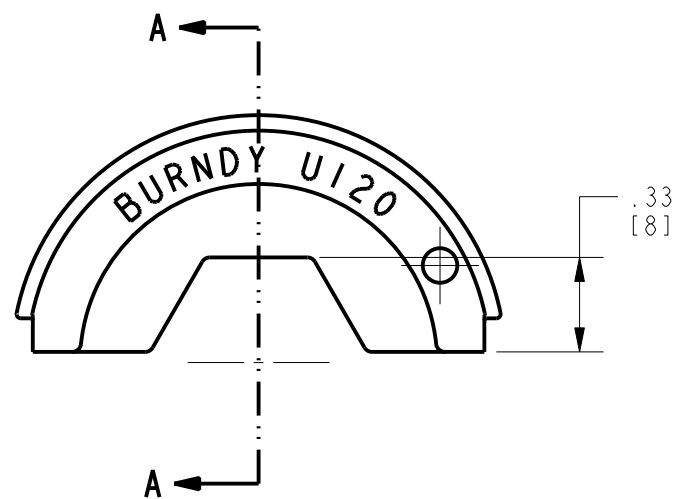


REV.	DATE	DESCRIPTION	ECO	BY	C'H'K.
A	12/12/2012 00:00:00 AM	CREATE SALES DRAWING FOR U120	29757	BD	MB



3D VIEW

NOTES:

1. DIMENSIONS IN BRACKETS [] ARE IN MILLIMETERS ROUNDED OFF TO THE NEAREST MILLIMETER, UNLESS OTHERWISE NOTED, AND ARE FOR REFERENCE ONLY.
2. MATERIAL: STAINLESS STEEL

TO ORDER BURNDY® PRODUCTS CALL

UNITED STATES:
1-800-346-4175 (LONDONDERRY, NH)

CANADA:
1-800-361-6975 (QUEBEC)
1-800-387-6487 (ALL OTHER PROVINCES)

FOR PRODUCT INFO: <http://www.burndy.com>

DIE, HEXAGONAL CRIMP

ITEM NO: 420325

CAT. NO: U120

DRAWN BY:	B. DURAI CHAMY	12/12/12
CHECKER:	P. WASON	12/20/12
DSN APPVL:	P. WASON	12/20/12
MFG APPVL:	--	--

QA APPVL:	J. BRODEUR	1/2/2013
MKT APPVL:	M. RZASA	12/20/12

PROD FAM:	--	SCALE: 1:1
PROJECT #:	--	DRAWING NO
DOCUMENT TYPE:	Sales	50016337
REL LEVEL:	Released	B



SCALE: 1:1

DRAWING NO

50016337

SHEET 1 OF 1

REV
A