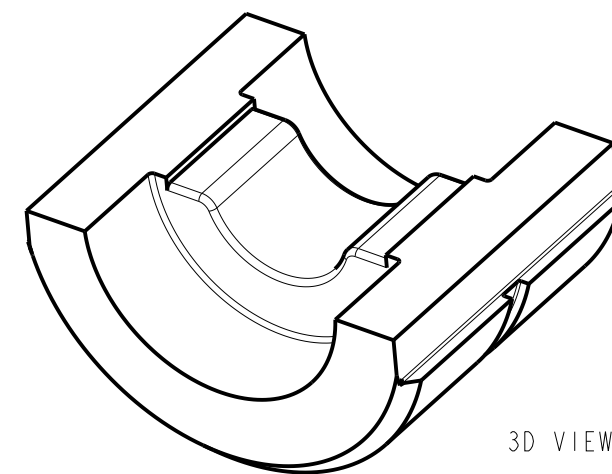
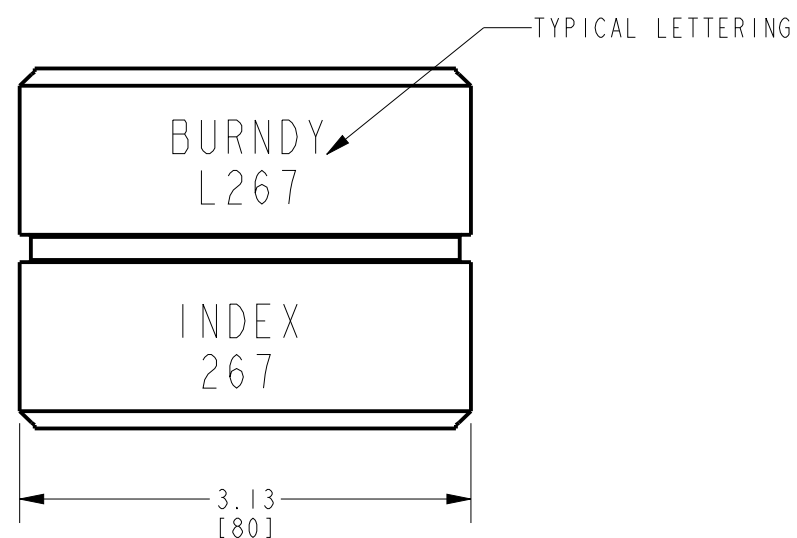
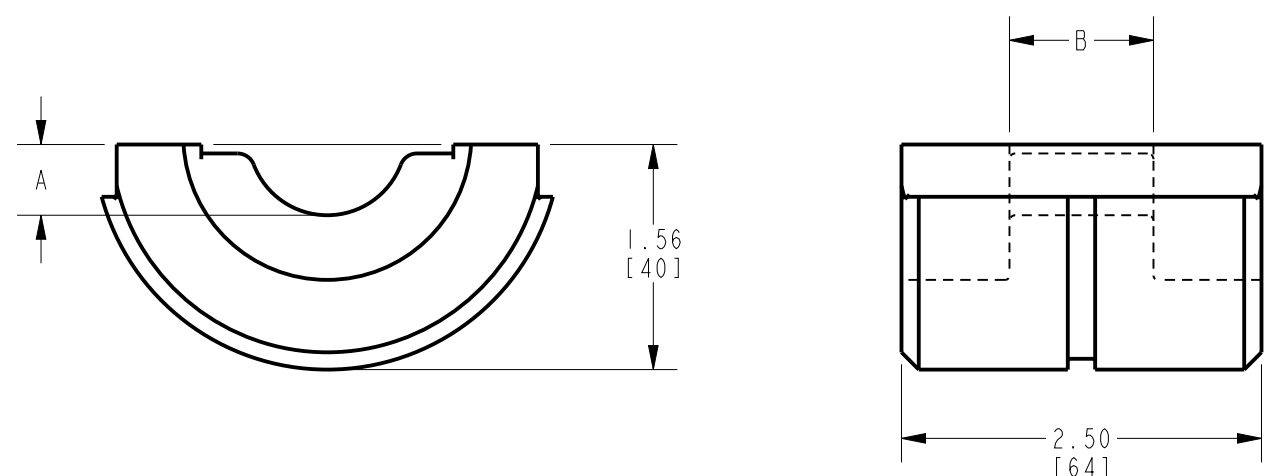


CATALOG NO.	A	B	DIE INDEX
L167	.33 [8]	1.34 [34]	167-207-211-256
L169	.40 [10]	1.06 [27]	169
L170	.48 [12]	1.25 [32]	170-306
L242	.15 [4]	.81 [21]	244
L245	.29 [7]	1.56 [40]	245
L257	.29 [7]	.62 [16]	257
L267	.49 [12]	1.00 [25]	267
L314	.37 [9]	.69 [18]	314-376
L316	.47 [12]	1.75 [44]	316
L320	.34 [9]	.69 [18]	320
L327	.55 [14]	1.75 [44]	327
L342	.72 [18]	.69 [18]	342
L419	.38 [10]	1.75 [44]	419
L469	.64 [16]	1.50 [38]	469
L490	.47 [12]	1.63 [41]	490-547
L576	.68 [17]	.81 [21]	576
L642	.65 [17]	1.75 [44]	642

REV.	DATE	DESCRIPTION	ECO	BY	C'H'K.
A	12/14/2012	NEW SALES DRAWING CREATION	29685	PS	MB



NOTES:

1. MATERIAL: STAINLESS STEEL.
2. DIMENSIONS IN BRACKETS [ ] ARE IN MILLIMETERS ROUNDED OFF TO THE NEAREST MILLIMETER, UNLESS OTHERWISE SPECIFIED AND ARE FOR REFERENCE ONLY.

TO ORDER BURNDY® PRODUCTS CALL  
 UNITED STATES:  
 1-800-346-4175 (LONDONDERRY, NH)  
 CANADA:  
 1-800-361-6975 (QUEBEC)  
 1-800-387-6487 (ALL OTHER PROVINCES)  
 FOR PRODUCT INFO: <http://www.burndy.com>

CIRCULAR TWIN DIE	
ITEM NO: --	
CAT. NO: L---	(SEE TABLE)
DRAWN BY: S.PRASANNA	12/14/2012
CHECKER: --	--
DSN APPVL: --	--
MFG APPVL: --	--
QA APPVL: JOE	05/21/2013
MKT APPVL: DANIEL	05/16/2013
PROD FAM: --	
PROJECT #: --	
DOCUMENT TYPE: SALES	
REL LEVEL: Released	



DRAWING NO	REV
50016452	A
SHEET 1 OF 1	

REV: PE0200