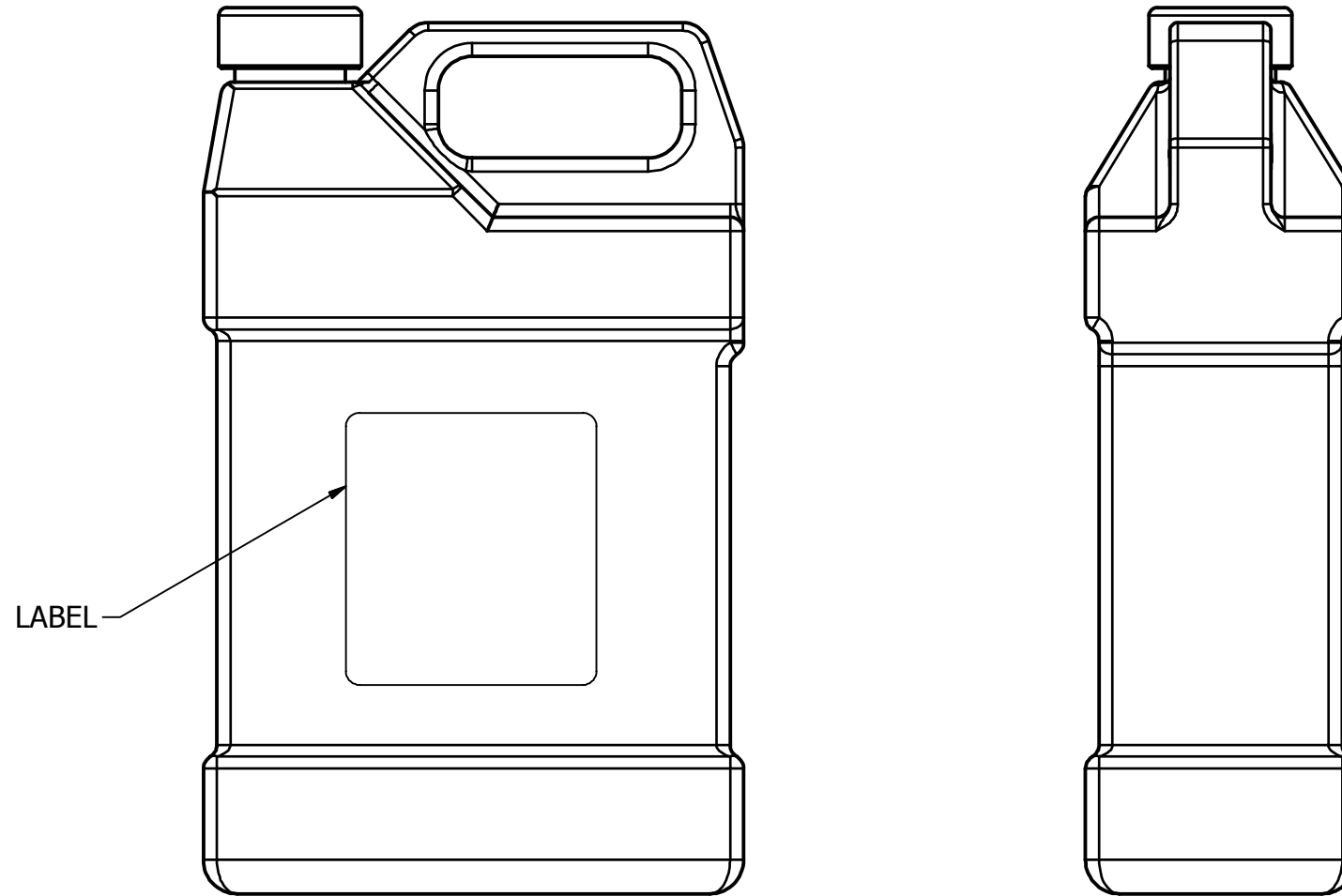


CATALOG NUMBER	DESCRIPTION	QTY.
HYFLUIDGAL	STANDARD HYPRESS™ FLUID	1
ALFLUIDGAL	ALL WEATHER HYPRESS™ FLUID	1

REV	DATE	DESCRIPTION	ECO	BY	C'H'K.
A	12/17/2012	SALES DRAWING CREATION	29949	PM	MB



NOTES:

- CONTAINER MATERIAL : HDPE PLASTIC
- FLUID QUANTITY : 1 GALLON

TO ORDER BURNDY® PRODUCTS CALL		HYPRESS™ FLUID (1 GALLON)															
UNITED STATES 1-800-346-4175 (LONDONDERRY, NH)		ITEM NO: 480366 & 480390															
CANADA: 1-800-361-6975 (QUEBEC) 1-800-387-6487 (ALL OTHER PROVINCES)		CAT. NO: HYFLUIDGAL & ALFLUIDGAL															
FOR PRODUCT INFO: http://www.burndy.com		<table border="1"> <tr> <td>DRAWN BY: PALANI M</td> <td>12/17/2012</td> <td rowspan="5"></td> </tr> <tr> <td>CHECKER: M CHIASSON</td> <td>5/21/2013</td> </tr> <tr> <td>DSN APRVL: M CHIASSON</td> <td>5/21/2013</td> </tr> <tr> <td>MFG APRVL: --</td> <td></td> </tr> <tr> <td>QA APRVL: --</td> <td></td> </tr> <tr> <td>MKT APRVL: D OWENS</td> <td>4/9/2013</td> <td></td> </tr> </table>		DRAWN BY: PALANI M	12/17/2012		CHECKER: M CHIASSON	5/21/2013	DSN APRVL: M CHIASSON	5/21/2013	MFG APRVL: --		QA APRVL: --		MKT APRVL: D OWENS	4/9/2013	
DRAWN BY: PALANI M	12/17/2012																
CHECKER: M CHIASSON	5/21/2013																
DSN APRVL: M CHIASSON	5/21/2013																
MFG APRVL: --																	
QA APRVL: --																	
MKT APRVL: D OWENS	4/9/2013																
PROJ #:	SIZE	DRAWING NO	REV														
50016457	B	50016457	A														
REL LEVEL: Released		SHEET 1 OF 1															