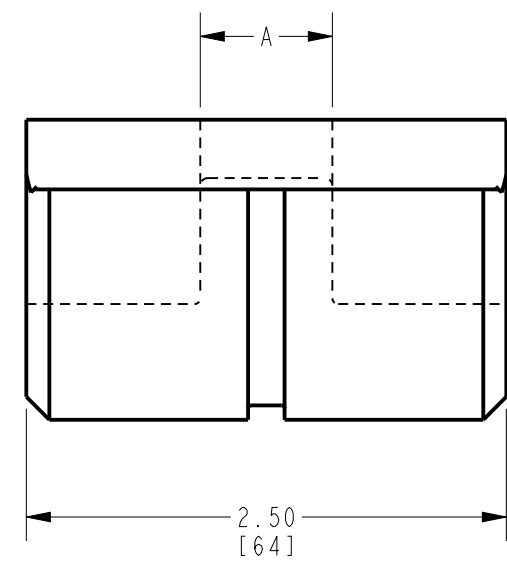
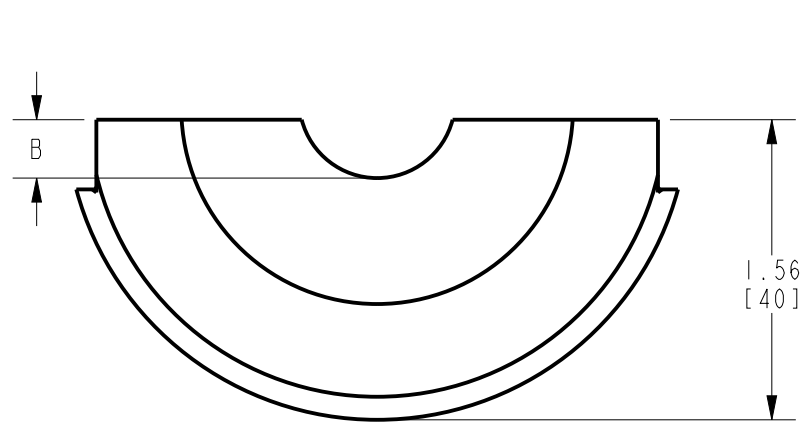
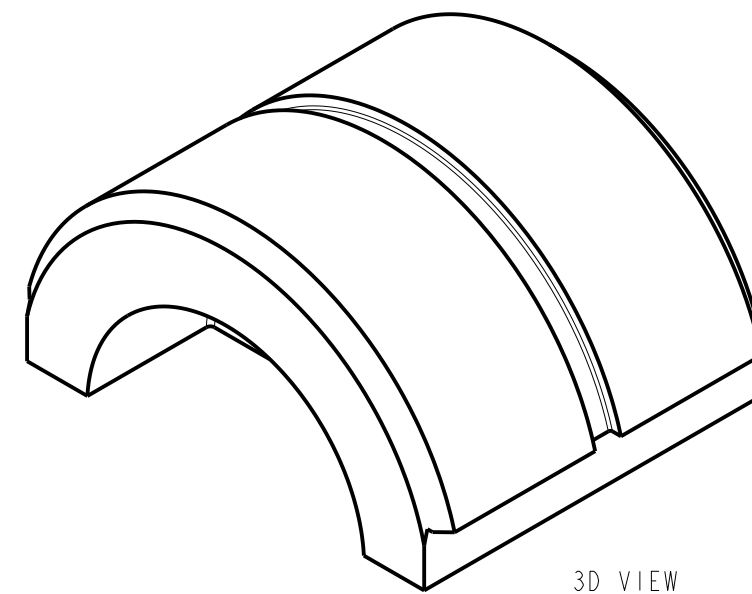
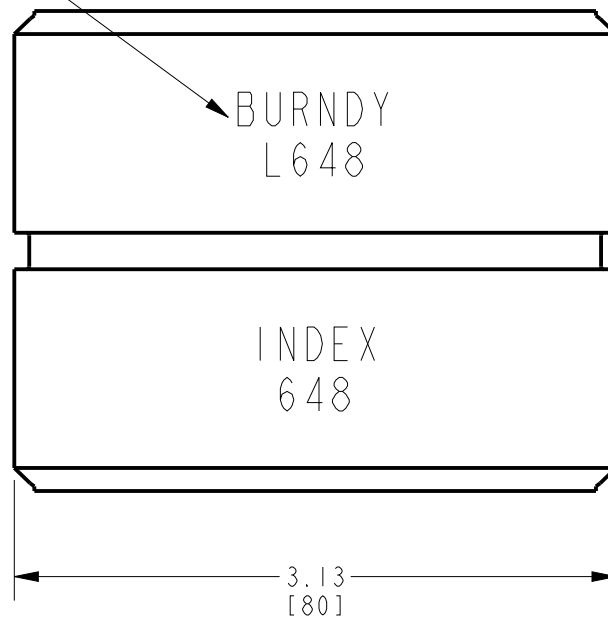


CATALOG NUMBER	A	B	DIE INDEX
L255	.69 [18]	.30 [8]	255
L305	.80 [20]	.28 [7]	305-341
L313	.69 [18]	.35 [9]	313
L319	1.50 [38]	.79 [20]	319
L352	1.50 [38]	.81 [20]	352
L422	1.38 [35]	.91 [23]	422
L575	1.31 [33]	.90 [23]	575
L579	1.50 [38]	.76 [19]	579
L608	1.50 [38]	.66 [17]	608
L648	1.38 [35]	1.02 [26]	648

REV.	DATE	DESCRIPTION	ECO	BY	C'H'K.
A	12/17/2012	NEW SALES DRAWING CREATION	29685	PS	MB



TYPICAL LETTERING



NOTES:

1. MATERIAL: STAINLESS STEEL.
2. DIMENSIONS IN BRACKETS [ ] ARE IN MILLIMETERS ROUNDED OFF TO THE NEAREST MILLIMETER, UNLESS OTHERWISE SPECIFIED AND ARE FOR REFERENCE ONLY.

REV: PE0200

TO ORDER BURNDY® PRODUCTS CALL

UNITED STATES:  
1-800-346-4175 (LONDONDERRY, NH)

CANADA:  
1-800-361-6975 (QUEBEC)  
1-800-387-6487 (ALL OTHER PROVINCES)

FOR PRODUCT INFO: <http://www.burndy.com>

CIRCULAR TWIN DIE

ITEM NO: --	SCALE: 1:1
CAT. NO: L--- (SEE TABLE)	DRAWING NO
DRAWN BY: S.PRASANNA 12/17/2012	50016590
CHECKER: --	REV
DSN APPVL: --	A
MFG APPVL: --	
QA APPVL: JOE 05/21/2013	
MKT APPVL: DANIEL 05/16/2013	
PROD FAM: --	
PROJECT #: --	
DOCUMENT TYPE: SALES	
REL LEVEL: Released	

