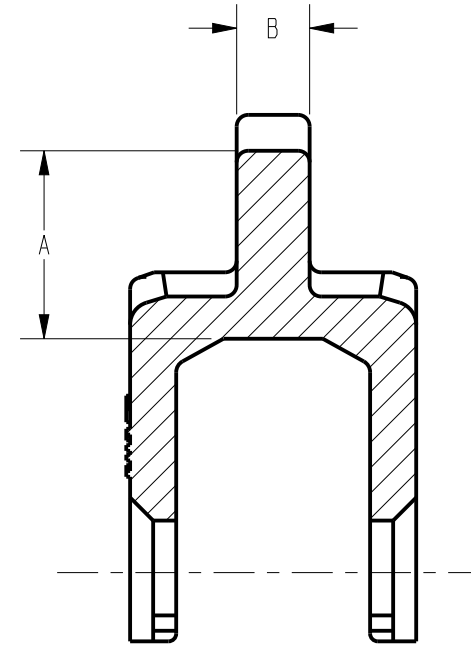
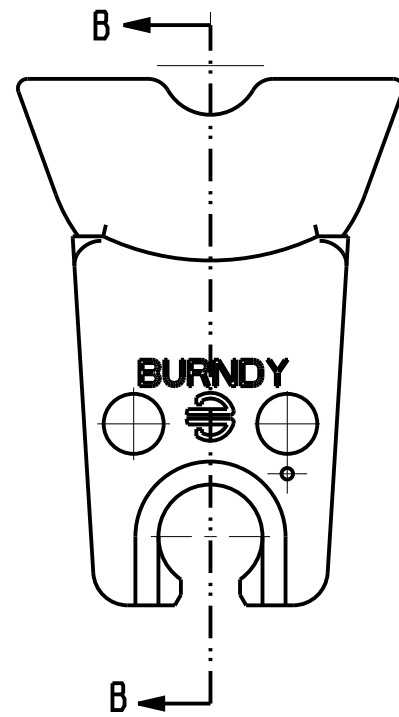
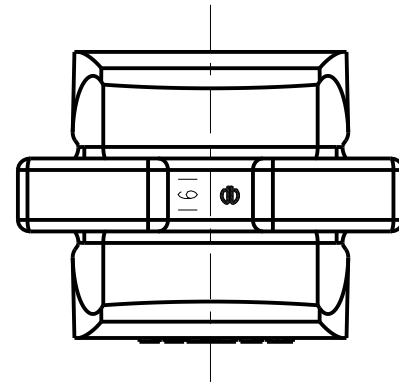
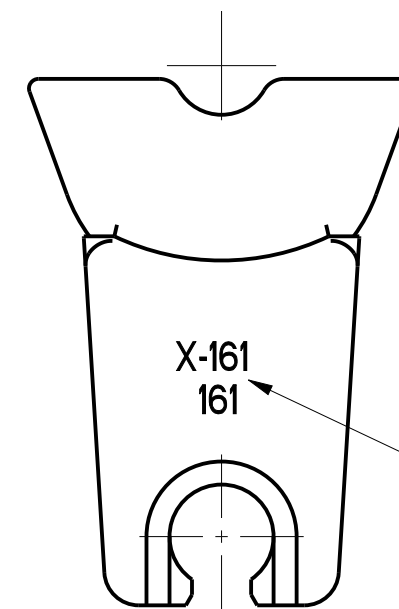


CATALOG NO.	A	B	LETTERING	DIE INDEX
X161	.49 [12]	.19 [5]	X-161 161	161
X237	.47 [12]	.19 [5]	X-237 237	237
X239	.41 [11]	.19 [5]	X-239 239	239
X241	.39 [10]	.19 [5]	X-241 241	241
X245	.34 [9]	.19 [5]	X-245 245 EEI-9A	245
X247	.30 [8]	.19 [5]	X-247 247	247
X249	.25 [6]	.19 [5]	X-249 249 EEI-11A	249
X660	.26 [7]	.19 [5]	X-660 660	660

REV.	DATE	DESCRIPTION	ECO	BY	C'H'K.
A	12/17/2012 00:00:00 AM	CREATE SALES DRAWING (IDW PROJCT)	29656	MS	MB



SECTION B-B



NOTES:

- DIMENSIONS IN BRACKETS [] ARE IN MILLIMETERS ROUNDED OFF TO THE NEAREST MILLIMETER, UNLESS OTHERWISE NOTED, AND ARE FOR REFERENCE ONLY.
- MATERIAL: STAINLESS STEEL

TO ORDER BURNDY® PRODUCTS CALL

UNITED STATES:
1-800-346-4175 (LONDONDERRY, NH)

CANADA:
1-800-361-6975 (QUEBEC)
1-800-387-6487 (ALL OTHER PROVINCES)

FOR PRODUCT INFO: <http://www.burndy.com>

X-DIES (OUR840)

ITEM NO: N/A	SCALE: 3:2	
CAT. NO: SEE TABLE	DRAWING NO	
DRAWN BY: SAKTHI M	12/17/2012	50016602
CHECKER: P. WASON	04/08/2013	
DSN APPVL: L. BROWN	05/21/2013	A
MFG APPVL: S. HOPPS	04/11/2013	
QA APPVL: --	--	SHEET 1 OF 1
MKT APPVL: M. RZASA	04/09/2013	
PROD FAM: --	SIZE	REV
PROJECT #: --	B	
DOCUMENT TYPE: Sales		
REL LEVEL: Released		



REV: PE0200