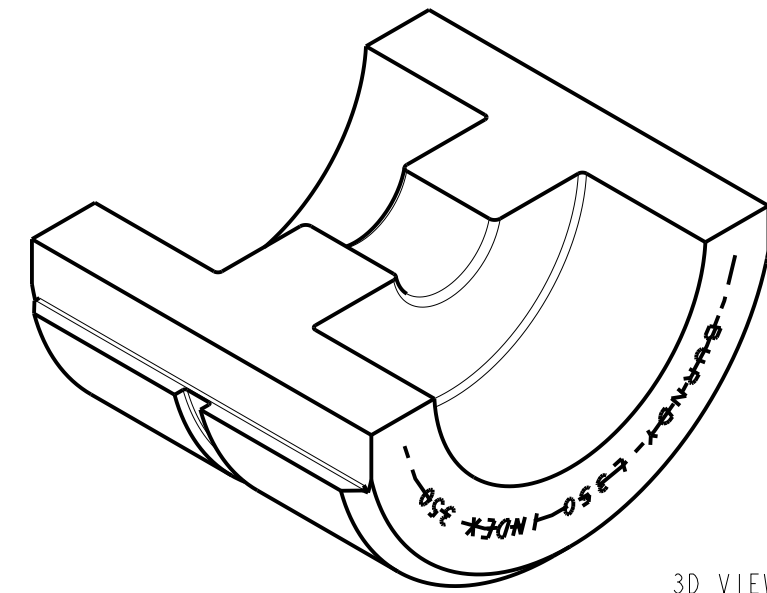
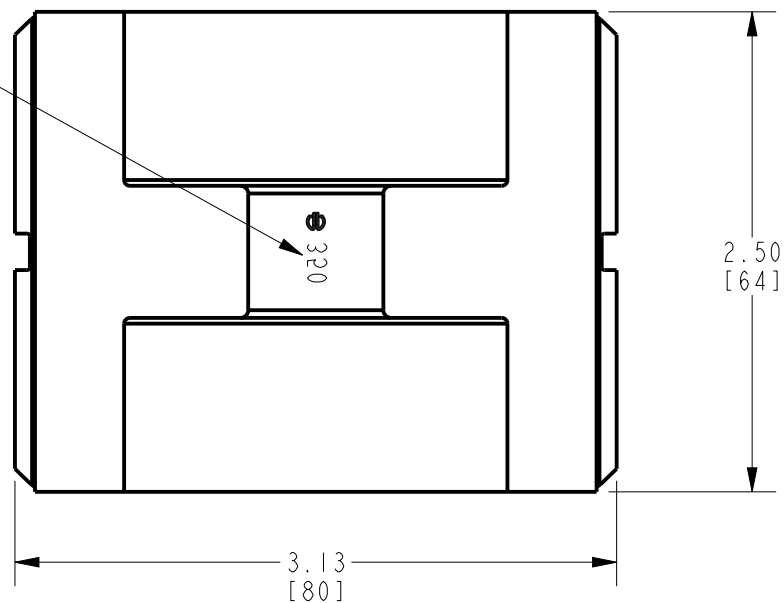


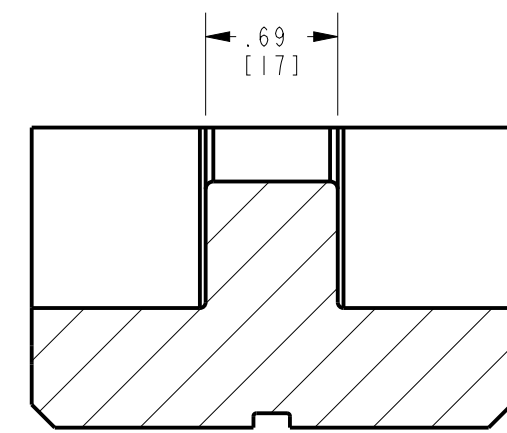
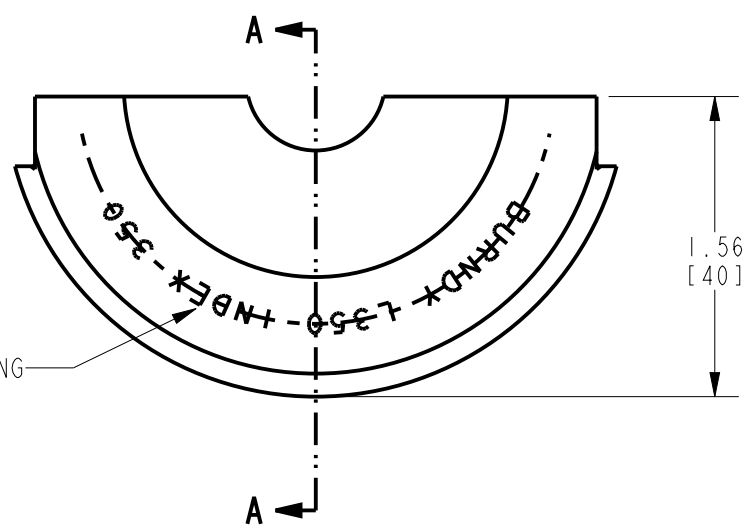
CATALOG NUMBER	DIE INDEX
L254	254
L350	350

REV.	DATE	DESCRIPTION	ECO	BY	C.H.K.
A	12/17/2012	NEW SALES DRAWING CREATION	29685	PS	MB

TYPICAL DIE INDEX
(SEE TABLE)



TYPICAL LETTERING



NOTES:

1. MATERIAL: STAINLESS STEEL.
2. DIMENSIONS IN BRACKETS [] ARE IN MILLIMETERS ROUNDED OFF TO THE NEAREST MILLIMETER, UNLESS OTHERWISE SPECIFIED AND ARE FOR REFERENCE ONLY.

TO ORDER BURNDY® PRODUCTS CALL
 UNITED STATES:
 1-800-346-4175 (LONDONDERRY, NH)
 CANADA:
 1-800-361-6975 (QUEBEC)
 1-800-387-6487 (ALL OTHER PROVINCES)
 FOR PRODUCT INFO: <http://www.burndy.com>

CIRCULAR TWIN DIE	
ITEM NO: --	
CAT. NO: L--- (SEE TABLE)	
DRAWN BY: S.PRASANNA 12/19/2012	
CHECKER: --	
DSN APPVL: --	
MFG APPVL: --	
QA APPVL: JOE 05/21/2013	
MKT APPVL: DANIEL 05/16/2013	
PROD FAM: --	
PROJECT #: --	
DOCUMENT TYPE: SALES	
REL LEVEL: Released	
SCALE: 1:1	
DRAWING NO	REV
50016741	A
SHEET 1 OF 1	



REV: PE0200