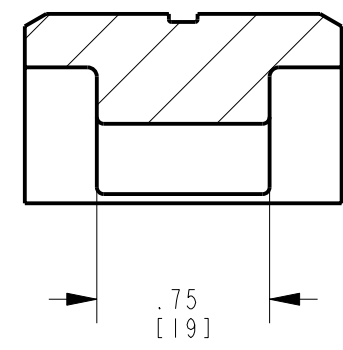
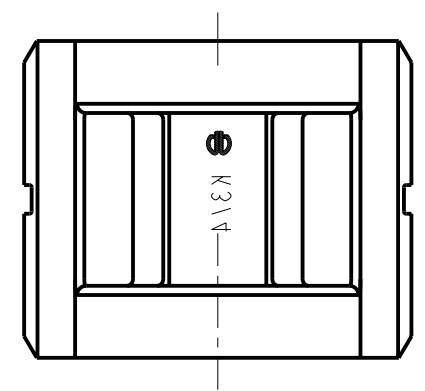
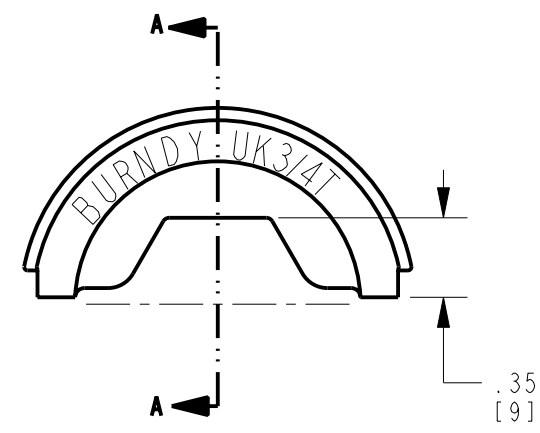
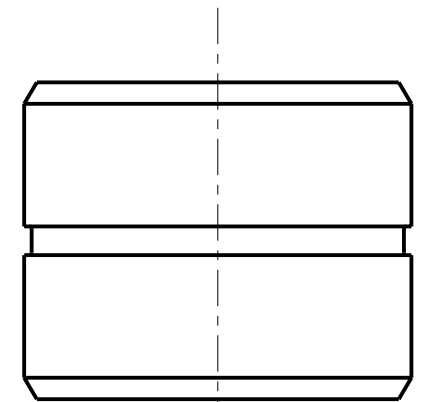
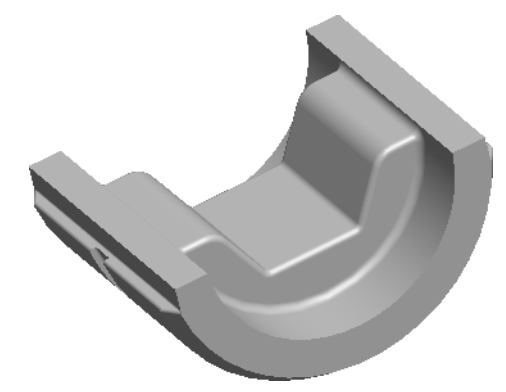
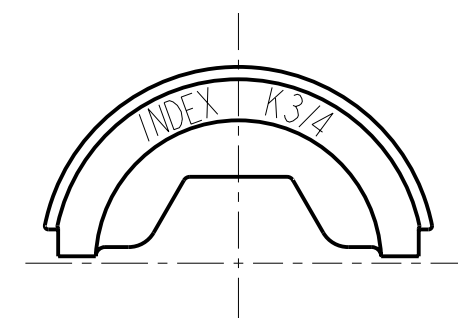


REV.	DATE	DESCRIPTION	ECO	BY	C'H'K.
A	12/19/2012 00:00:00 AM	SALES DRAWING CREATION	29952	YM	MB



SECTION A-A



NOTES:

- DIMENSIONS IN BRACKETS [] ARE IN MILLIMETERS ROUNDED OFF TO THE NEAREST MILLIMETER, UNLESS OTHERWISE SPECIFIED AND ARE FOR REFERENCE ONLY.
- MATERIAL STAINLESS STEEL.

TO ORDER BURNDY® PRODUCTS CALL
 UNITED STATES:
 1-800-346-4175 (LONDONDERRY, NH)
 CANADA:
 1-800-361-6975 (QUEBEC)
 1-800-387-6487 (ALL OTHER PROVINCES)
 FOR PRODUCT INFO: <http://www.burndy.com>

HEXAGONAL BUTTING TWIN DIE	
ITEM NO: 420816	
CAT. NO: U-K3/4T	
DRAWN BY: YUVARAJ.M 12/19/2012	
CHECKER: P. WASON 02/24/2014	
DSN APPVL: P. WASON 02/24/2014	
MFG APPVL: --	
QA APPVL: C. ACKERMAN 02/27/2014	
MKT APPVL: M. RZASA 02/24/2014	
PROD FAM: --	SCALE: 3:1
PROJECT #: --	DRAWING NO
DOCUMENT TYPE: Sales	50016742
REL LEVEL: Released	SHEET 1 OF 1
SIZE B	REV A

REV: PE0200