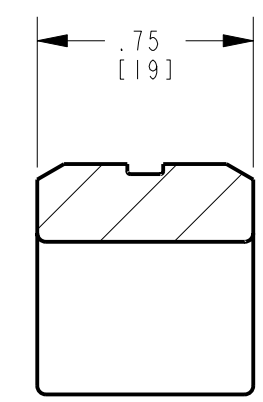
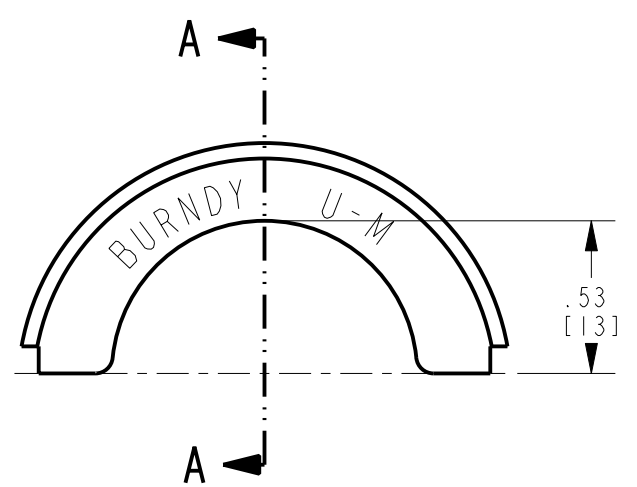
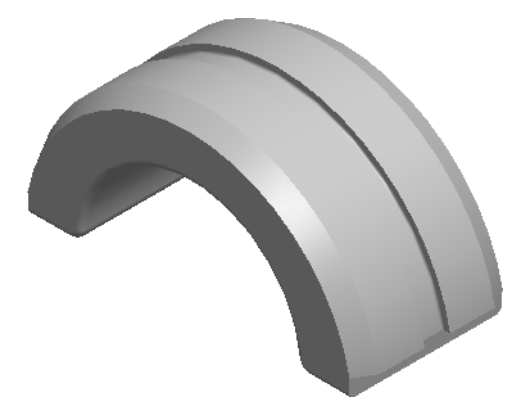
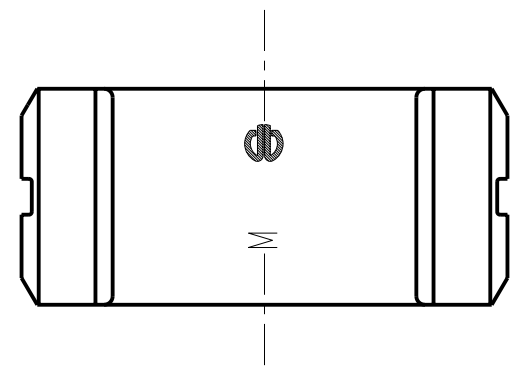
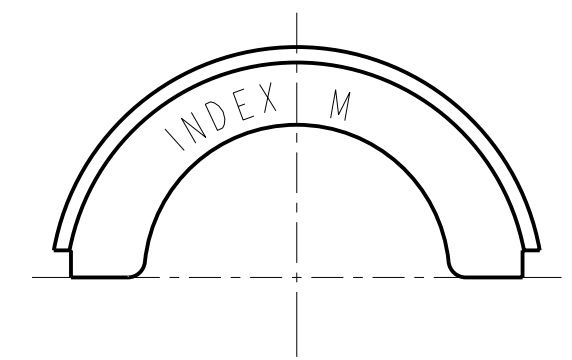


REV.	DATE	DESCRIPTION	ECO	BY	C'H'K.
A	12/26/2012 00:00:00 AM	SALES DRAWING CREATION	29952	YM	MB



SECTION A-A



NOTES:

1. DIMENSIONS IN BRACKETS [] ARE IN MILLIMETERS ROUNDED OFF TO THE NEAREST MILLIMETER, UNLESS OTHERWISE SPECIFIED AND ARE FOR REFERENCE ONLY.
2. MATERIAL: STAINLESS STEEL.

TO ORDER BURNDY® PRODUCTS CALL
 UNITED STATES:
 1-800-346-4175 (LONDONDERRY, NH)
 CANADA:
 1-800-361-6975 (QUEBEC)
 1-800-387-6487 (ALL OTHER PROVINCES)
 FOR PRODUCT INFO: <http://www.burndy.com>

CIRCULAR NON BUTTING TWIN DIES	
ITEM NO:	420026
CAT. NO:	UM
DRAWN BY:	YUVARAJ.M 12/26/2012
CHECKER:	P. WASON 02/24/2014
DSN APPVL:	P. WASON 02/24/2014
MFG APPVL:	--
QA APPVL:	C. ACKERMAN 02/27/2014
MKT APPVL:	M. RZASA 02/24/2014
PROD FAM:	--
PROJECT #:	--
DOCUMENT TYPE:	Sales
REL LEVEL:	Released
SCALE:	3:1
DRAWING NO:	50016745
REV:	A
SHEET 1 OF 1	



REV: PE0200