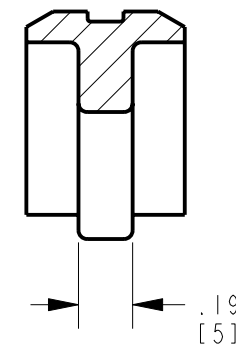
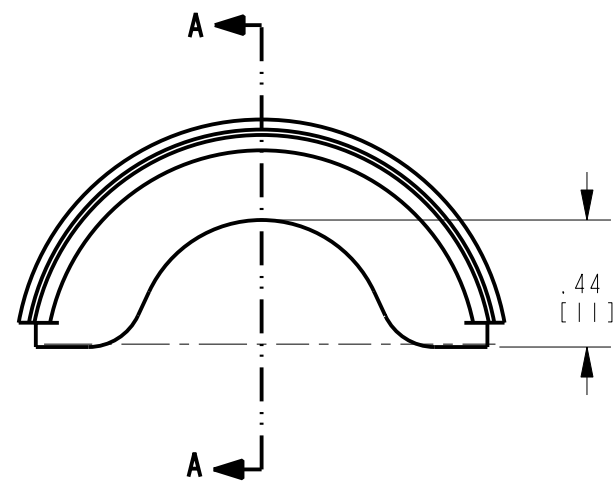
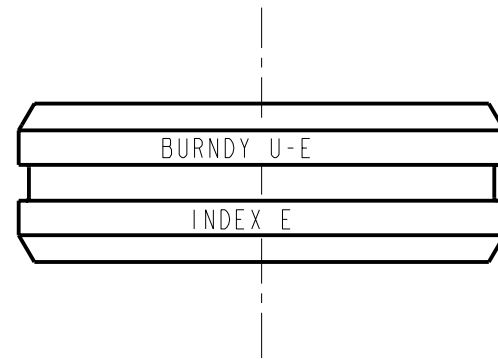
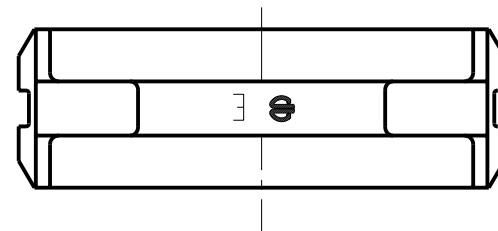


REV.	DATE	DESCRIPTION	ECO	BY	C.H.K.
A	12/26/2012 00:00:00 AM	SALES DRAWING CREATION	29952	YM	MB



SECTION A-A



NOTES:

- DIMENSIONS IN BRACKETS [] ARE IN MILLIMETERS ROUNDED OFF TO THE NEAREST MILLIMETER, UNLESS OTHERWISE SPECIFIED AND ARE FOR REFERENCE ONLY.
- MATERIAL: STAINLESS STEEL.

TO ORDER BURNDY® PRODUCTS CALL
 UNITED STATES:
 1-800-346-4175 (LONDONDERRY, NH)
 CANADA:
 1-800-361-6975 (QUEBEC)
 1-800-387-6487 (ALL OTHER PROVINCES)
 FOR PRODUCT INFO: <http://www.burndy.com>

CIRCULAR BUTTING TWIN DIE		SCALE: 3:1
ITEM NO: 420010		DRAWING NO
CAT. NO: UE		
DRAWN BY: YUVARAJ.M	12/26/2012	REV
CHECKER: P. WASON	02/24/2014	
DSN APPVL: P. WASON	02/24/2014	A
MFG APPVL: --	--	
QA APPVL: C. ACKERMAN	02/27/2014	SHEET 1 OF 1
MKT APPVL: M. RZASA	02/24/2014	
PROJECT #: --	SIZE B	
DOCUMENT TYPE: Sales		
REL LEVEL: Released		



REV: PE0200