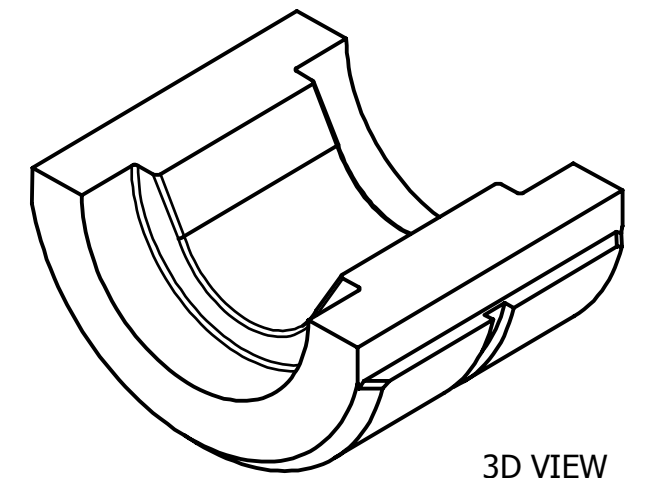
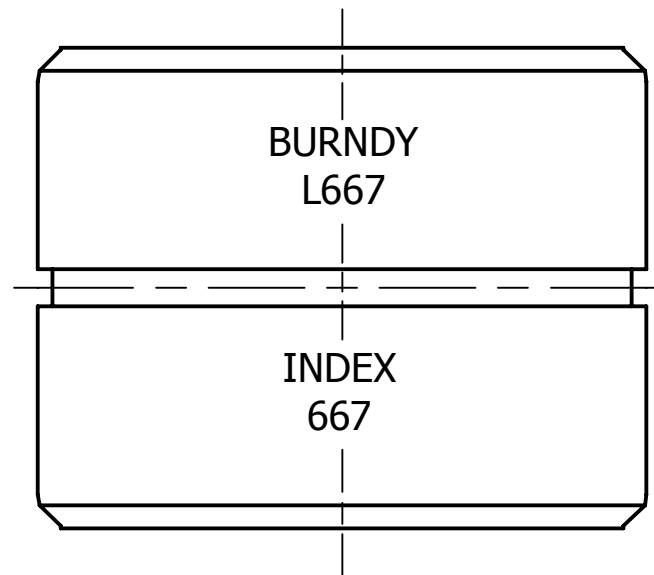
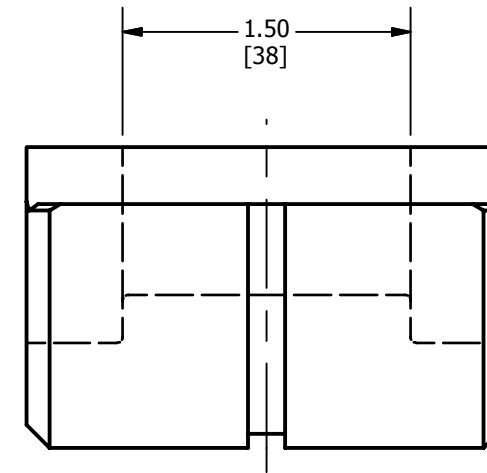
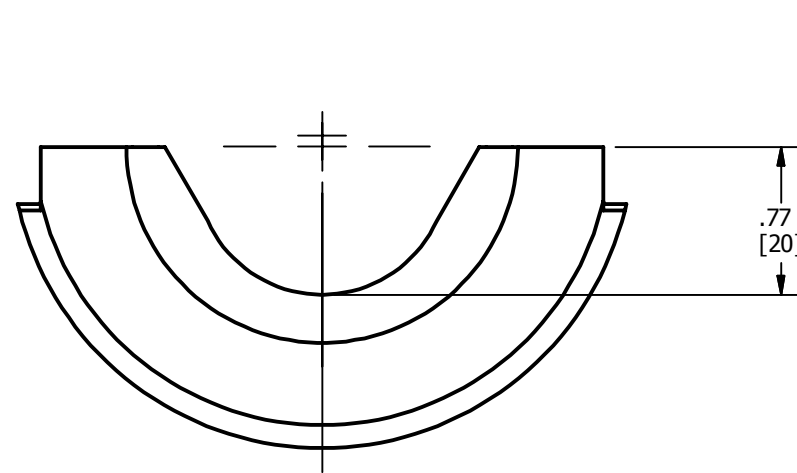


REV	DATE	DESCRIPTION	ECO	BY	C'H'K.
A	12/20/2012	NEW SALES DRAWING CREATION	29685	PS	MB



3D VIEW

**NOTES:**

1. DIMENSIONS IN BRACKETS [ ] ARE IN MILLIMETERS ROUNDED OFF TO THE NEAREST MILLIMETER, UNLESS OTHERWISE SPECIFIED AND ARE FOR REFERENCE ONLY.
2. MATERIAL: STAINLESS STEEL.

TO ORDER BURNDY® PRODUCTS CALL		CIRCULAR TWIN DIE	
UNITED STATES 1-800-346-4175 (LONDONDERRY, NH)		ITEM NO: 455084	
CANADA: 1-800-361-6975 (QUEBEC) 1-800-387-6487 (ALL OTHER PROVINCES)		CAT. NO: L667	
FOR PRODUCT INFO: <a href="http://www.burndy.com">http://www.burndy.com</a>		DRAWN BY: S.PRASANNA 12/20/2012	
		CHECKER: --	
		DSN APRVL: --	
		MFG APRVL: --	
		QA APRVL: JOE 05/21/2013	
		MKT APRVL: DANIEL 05/16/2013	
		PROJ #:	
		SIZE	
		50016883	
		B	
		SHEET 1 OF 1	
		REV	
		A	