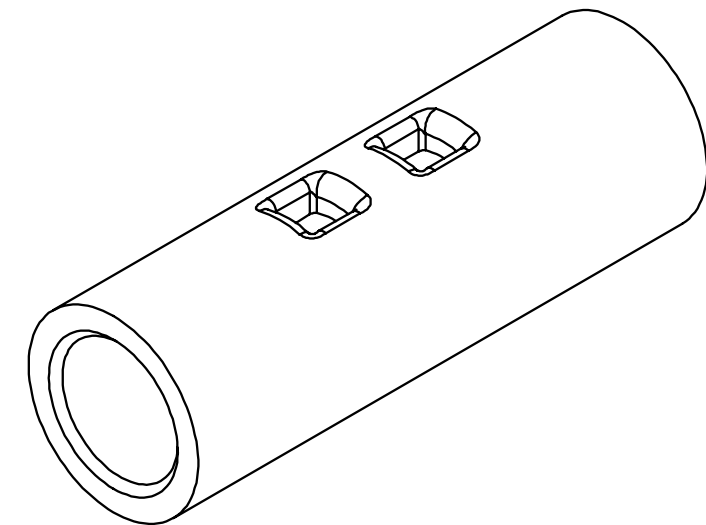
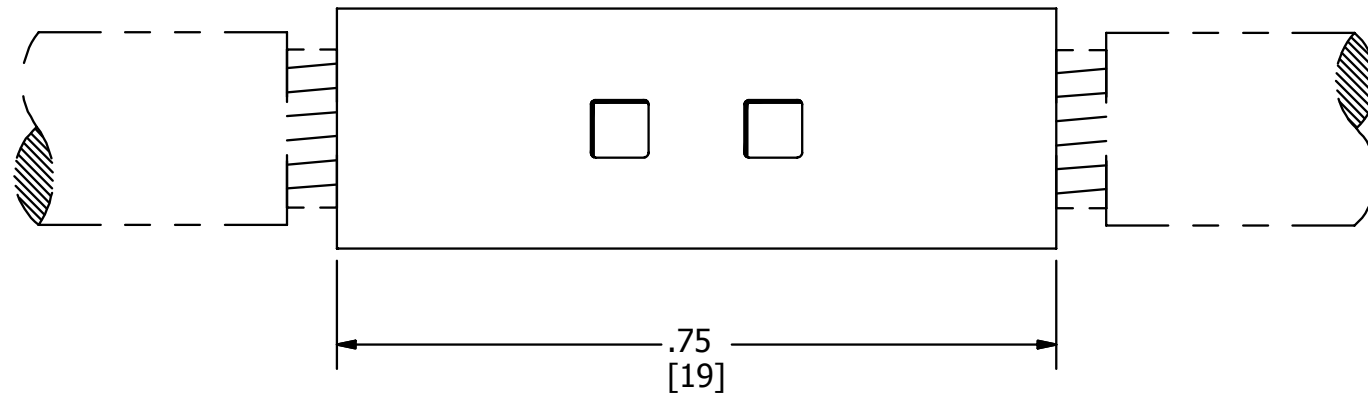


CATALOG NUMBER	CONDUCTOR SIZE	INSTALLATION TOOLONG		WIRE STRIP LENGTH
		NON-RATCHET	RATCHET	
YSV9CLBOX	9 STR.	MY28, MY29-3, MY29-11.	MR8-9Q, Y8MRB-1, Y1MRTC.	5/16"

REV	DATE	DESCRIPTION	ECO	BY	C'H'K.
A	12/27/2012	SALES DRAWING CREATION	29537	PM	MB



NOTES:

1. MATERIAL : COPPER.
2. FINISH : ELECTRO-TIN PLATED.
3. OPERATING PARAMETER : 600 VOLTS MAX.
4. DIMENSIONS IN BRACKETS [] ARE IN MILLIMETERS ROUNDED OFF TO THE NEAREST MILLIMETER, UNLESS OTHERWISE SPECIFIED AND ARE FOR REFERENCE ONLY.

TO ORDER BURNDY® PRODUCTS CALL		HYLINK™	
UNITED STATES 1-800-346-4175 (LONDONDERRY, NH)		ITEM NO: 514430	
CANADA: 1-800-361-6975 (QUEBEC) 1-800-387-6487 (ALL OTHER PROVINCES)		CAT. NO: YSV9CLBOX	
FOR PRODUCT INFO: http://www.burndy.com		DRAWN BY: PALANI M 12/27/2012	
		CHECKER: --	
		DSN APRVL: K CASTONGUAY 3/8/2017	
		MFG APRVL: --	
		QA APRVL: C LINQUIST 7/28/2016	
		MKT APRVL: M BAILLY 7/5/2016	
		PROD FAM: --	
		DRAWING NO	
		50016954	
		REV	
		A	
		SHEET 1 OF 1	