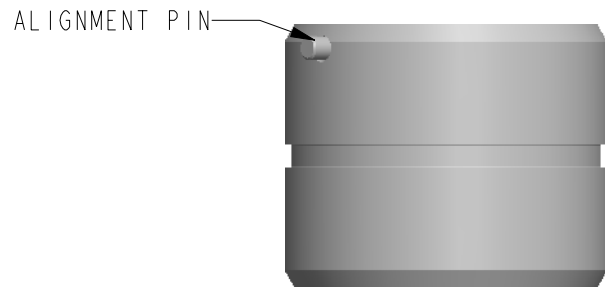


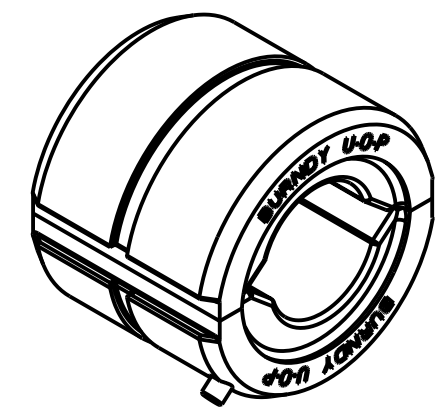
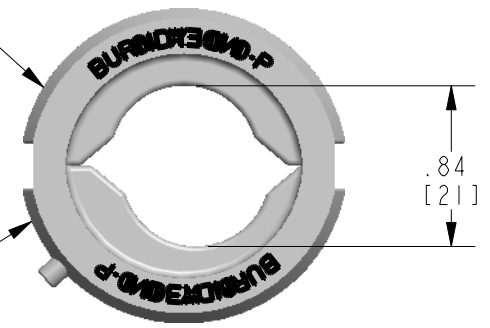
REV.	DATE	DESCRIPTION	ECO	BY	C'H'K.
A	12/27/2012 00:00:00 AM	SALES DRAWING CREATION	29952	YM	MB



ALIGNMENT PIN

RADIAL BUTTING DIE
(UPPER, FIXED)

RADIAL OFFSET BUTTING DIE
(LOWER, MOVING)



NOTES:

- DIMENSIONS IN BRACKETS [] ARE IN MILLIMETERS ROUNDED OFF TO THE NEAREST MILLIMETER, UNLESS OTHERWISE SPECIFIED AND ARE FOR REFERENCE ONLY.
- MATERIAL: STAINLESS STEEL.

TO ORDER BURNDY® PRODUCTS CALL
 UNITED STATES:
 1-800-346-4175 (LONDONDERRY, NH)
 CANADA:
 1-800-361-6975 (QUEBEC)
 1-800-387-6487 (ALL OTHER PROVINCES)
 FOR PRODUCT INFO: <http://www.burndy.com>

UOP (POLARIZED DIE W/PIN)		SCALE: 1:1	
ITEM NO: 10018924		DRAWING NO	
CAT. NO: UOP		REV	
DRAWN BY: YUVARAJ.M	12/27/2012	BURNDY	A
CHECKER: P. WASON	02/24/2014		
DSN APPVL: P. WASON	02/24/2014		
MFG APPVL: --	--		
QA APPVL: C. ACKERMAN	02/27/2014		
MKT APPVL: M. RZASA	02/24/2014	SHEET 1 OF 1	
PROJECT #: --	SIZE B	DRAWING NO 50017014	
DOCUMENT TYPE: Sales	REL LEVEL: Released		

REV: PE0200