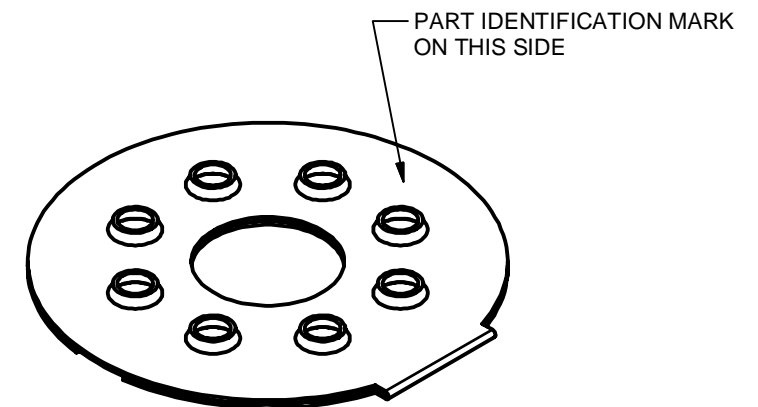
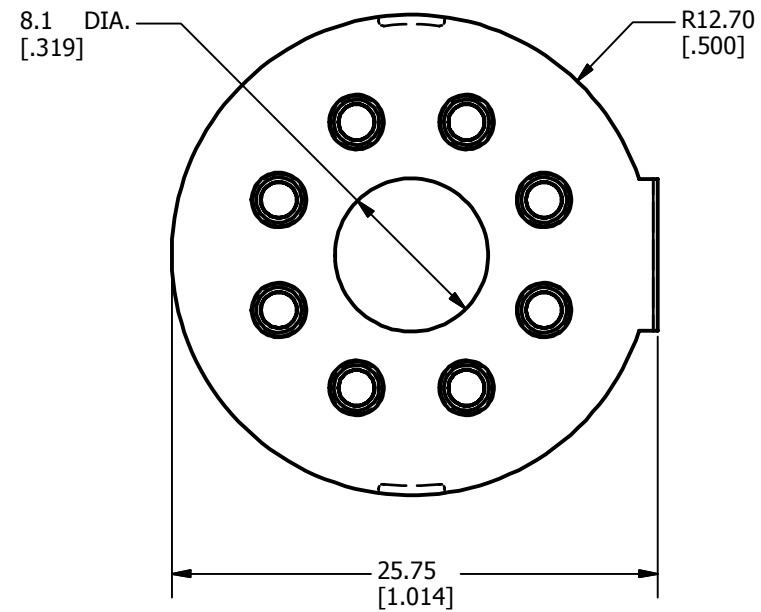
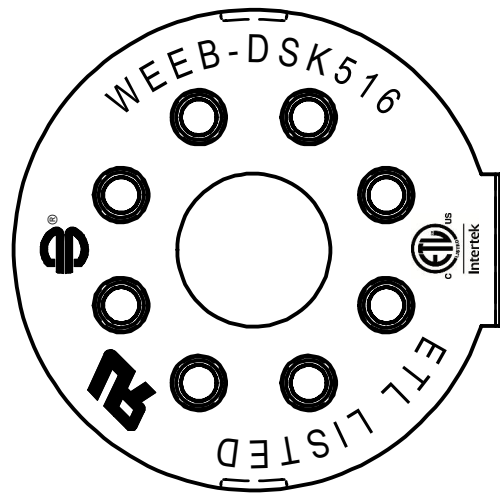


REV	DATE	DESCRIPTION	ECO	BY	C'H'K.
F	09/06/2013	UPDATE MODEL AS PER MARK-UP	33168	VK	MK



3D VIEW

NOTES:

1. MATERIAL: 304 STAINLESS STEEL
2. DIMENSIONS IN BRACKETS [ ] ARE IN INCHES ROUNDED OFF TO THE NEAREST TENTH, UNLESS OTHERWISE SPECIFIED AND ARE FOR REFERENCE ONLY.

TO ORDER BURNDY PRODUCTS CALL		EQUIPMENT BOND	
UNITED STATES		ITEM NO: 50020373	
1-800-346-4175 (LONDONDERRY, NH)		CAT. NO: WEEB-DSK516	
CANADA:		DRAWN BY: V KAMAL 09/06/2013	
1-800-361-6975 (QUEBEC)		CHECKER: P KOVALOV 09/13/2013	
1-800-387-6487 (ALL OTHER PROVINCES)		DSN APRVL: T OLENICK 09/17/2013	
FOR PRODUCT INFO: <a href="http://www.burndy.com">http://www.burndy.com</a>		MFG APRVL: M STEVENS 09/23/2013	
		QA APRVL: C KOWALCZYK 09/16/2013	
		MKT APRVL: S PARSONS 09/12/2013	
PROD FAM:	DRAWING NO	REV	
PROJECT #:	50017076	F	
DOCUMENT TYPE: SALES	SIZE: B		
REL LEVEL: Released			