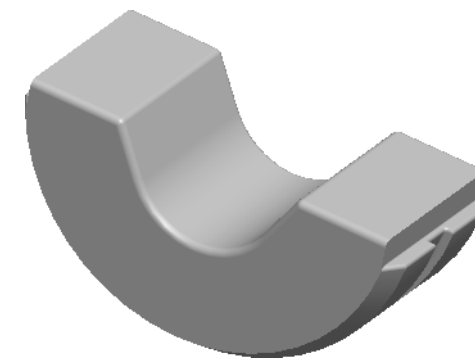
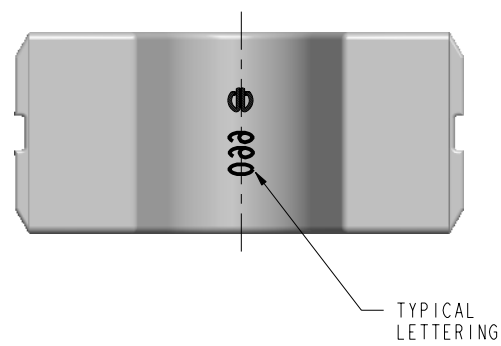
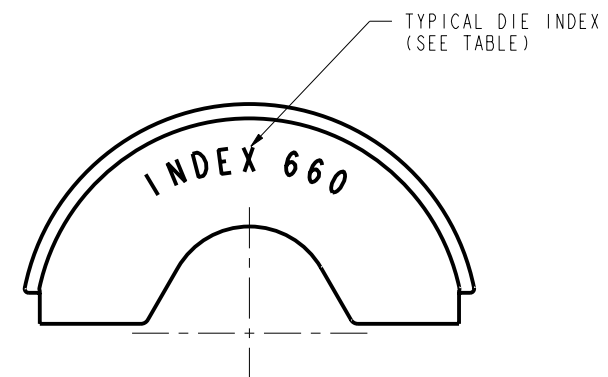
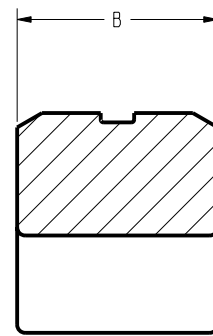
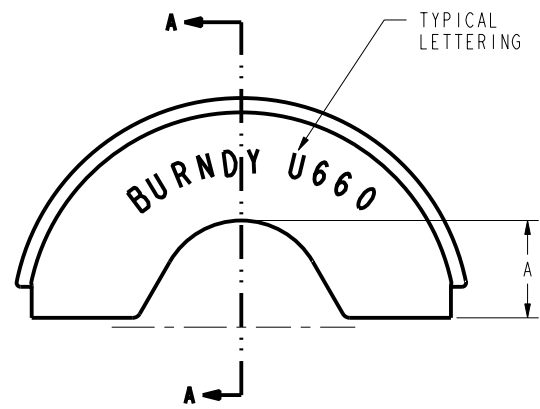


DRAWING NO. 50017260			
CATALOG NO.	A	B	DIE INDEX
U660	.36 [9]	.75 [19]	660
U676	.31 [8]	.46 [12]	676

REV	DATE	DESCRIPTION	ECO	BY	C'H'K.
A	01/09/2012 00:00:00 AM	CREATE SALES DRAWING	29952	MS	MB



NOTES:

- DIMENSIONS IN BRACKETS [] ARE IN MILLIMETERS ROUNDED OFF TO THE NEAREST MILLIMETER, UNLESS OTHERWISE NOTED, AND ARE FOR REFERENCE ONLY.
- MATERIAL: STAINLESS STEEL

TO ORDER BURNDY® PRODUCTS CALL		RADIALLY BUTTING TWIN DIE	
UNITED STATES 1-800-346-4175 (LONDONDERRY, NH)		ITEM NO: N/A	CAT. NO: SEE TABLE
CANADA: 1-800-361-6975 (QUEBEC) 1-800-387-6487 (ALL OTHER PROVINCES)		DRAWN BY: SAKTHI M 1/9/2013	CHECKER: P WASON 02/24/2014
FOR PRODUCT INFO: http://www.burndy.com		DSN APPVL: P WASON 02/24/2014	MFG APPVL: --
		QA APPVL: C ACKERMAN 02/27/2014	MKT APPVL: M RZASA 02/24/2014
		PROJ #:	SIZE
		DOCUMENT TYPE: Sales	D
		REL LEVEL: Released	
		DRAWING NO	50017260
		REV	A
		SHEET 1 OF 1	

REV: PE0200