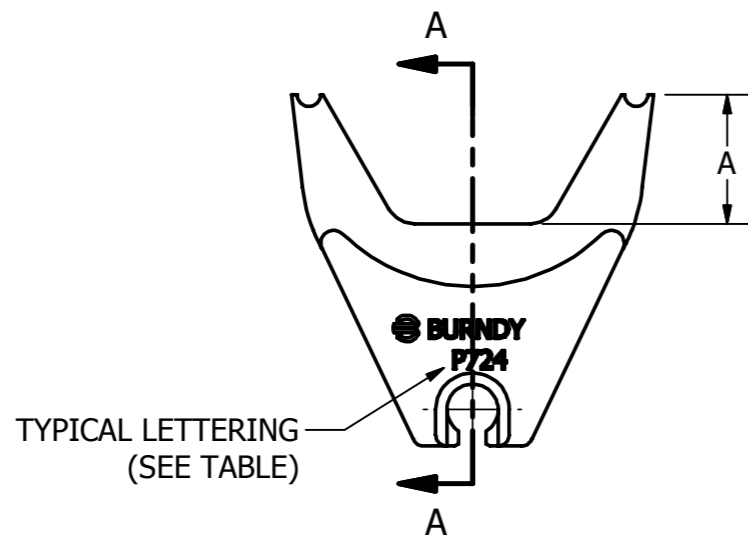
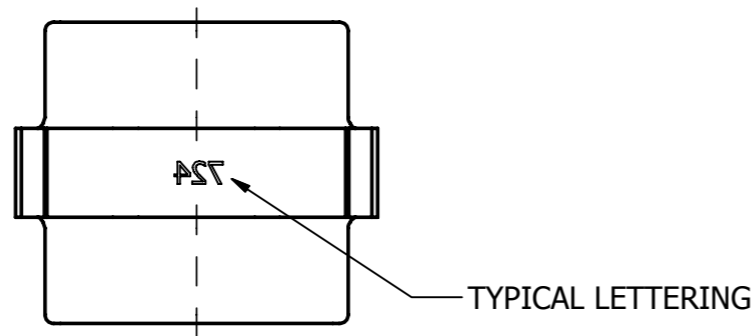
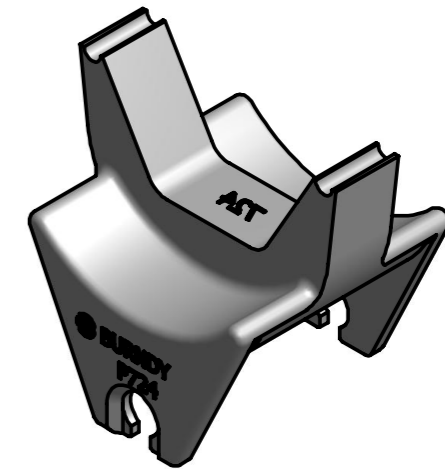
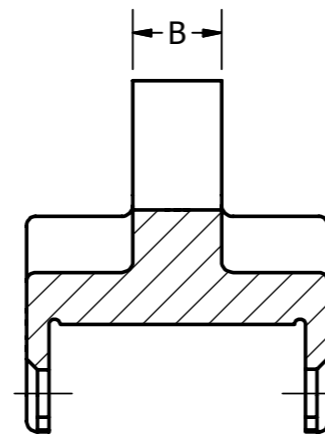


CATALOG NO.	A	B	DIE INDEX
P724	.69 [18]	.48 [12]	724
P722	.63 [16]	.60 [15]	722
P719	.53 [13]	.35 [9]	719
P720	.58 [15]	.38 [10]	720
P717	.48 [12]	.35 [9]	717

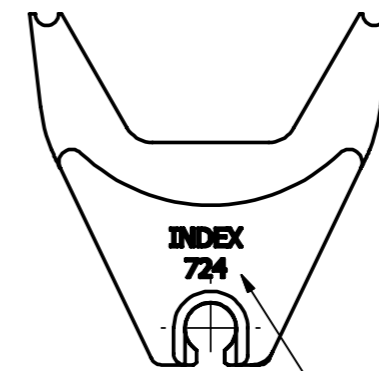
REV	DATE	DESCRIPTION	ECO	BY	C'H'K.
A	05/22/2013	SALES DRAWING CREATION	29952	YM	MB



TYPICAL LETTERING  
(SEE TABLE)



SECTION A-A



TYPICAL DIE INDEX  
(SEE TABLE)

**NOTES:**

1. MATERIAL: STAINLESS STEEL.
2. DIMENSIONS IN BRACKETS [ ] ARE IN MILLIMETERS ROUNDED OFF TO THE NEAREST MILLIMETER, UNLESS OTHERWISE SPECIFIED AND ARE FOR REFERENCE ONLY.

TO ORDER BURNDY® PRODUCTS CALL		HEX BUTTING TWIN DIE	
UNITED STATES 1-800-346-4175 (LONDONDERRY, NH)		ITEM NO: N/A	
CANADA: 1-800-361-6975 (QUEBEC) 1-800-387-6487 (ALL OTHER PROVINCES)		CAT. NO: SEE TABLE	
FOR PRODUCT INFO: <a href="http://www.burndy.com">http://www.burndy.com</a>		DRAWN BY: YM 05/23/2013	
		CHECKER: P WASON 02/24/2014	
		DSN APRVL: P WASON 02/24/2014	
		MFG APRVL: --	
		QA APRVL: C ACKERMAN 02/27/2014	
		MKT APRVL: M RZASA 02/24/2014	
		PROJ #: --	
		DRAWING NO	
		50017607	
		REV	
		A	
		SHEET 1 OF 1	