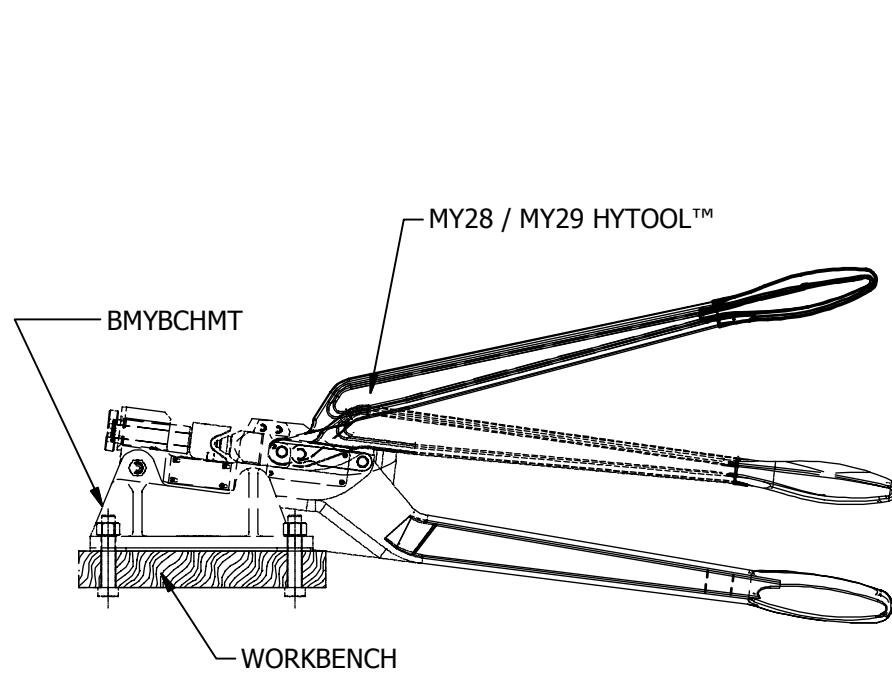
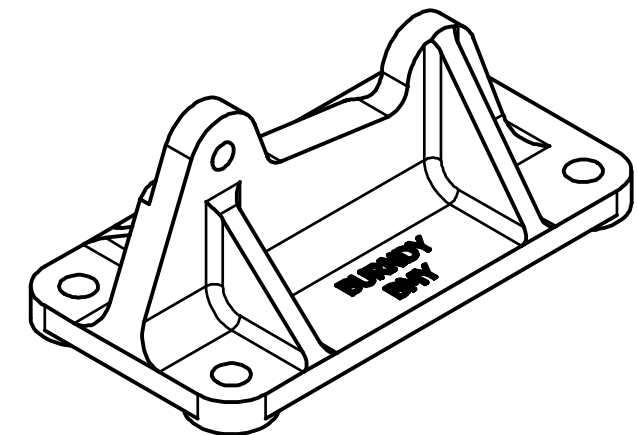
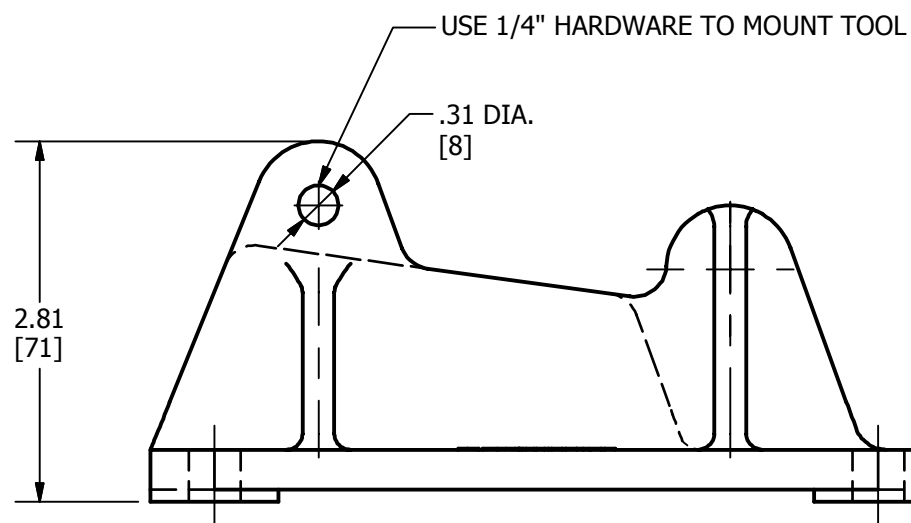
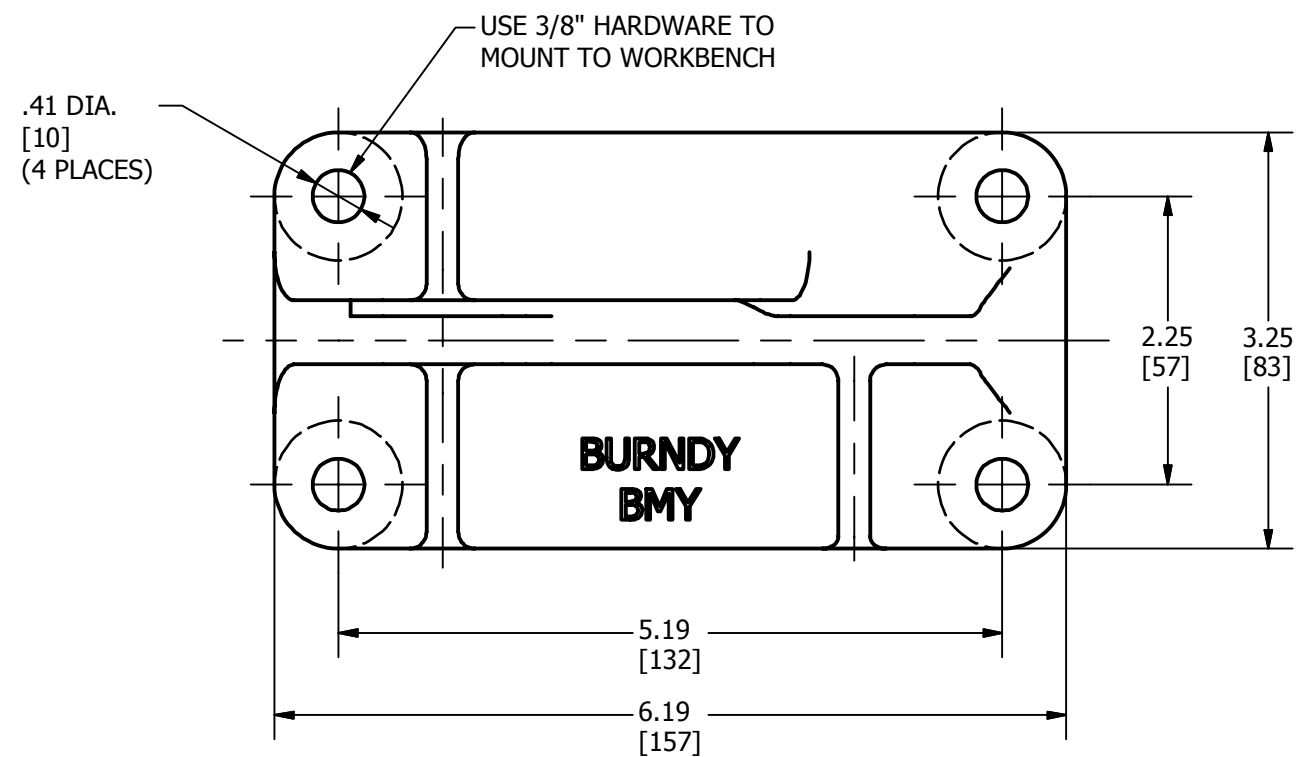


REV	DATE	DESCRIPTION	ECO	BY	C'H'K.
A	01/16/2013	NEW SALES DRAWING CREATION	30144	AT	MB



APPLICATION VIEW



NOTES:

1. MATERIAL: CAST IRON.
ALTERNATE MATERIAL: ALLOY 30 AND 365-T6 ALUMINUM.
2. FINISH: COATED WITH BLACK LACQUER.
3. ASSEMBLE PRODUCT WITH SPECIFIED HARDWARE AS SHOWN IN APPLICATION VIEW.
MY28/MY29 AND HARDWARE SOLD SEPARATELY.
4. FOR USE ON MY28 AND MY29 HYTOOL™ ONLY.
5. DIMENSIONS IN BRACKETS [] ARE IN MILLIMETERS ROUNDED OFF TO THE NEAREST MILLIMETER, UNLESS OTHERWISE SPECIFIED AND ARE FOR REFERENCE ONLY.

TO ORDER BURNDY® PRODUCTS CALL UNITED STATES 1-800-346-4175 (LONDONDERRY, NH) CANADA: 1-800-361-6975 (QUEBEC) 1-800-387-6487 (ALL OTHER PROVINCES) FOR PRODUCT INFO: http://www.burndy.com		BENCH MOUNT	
		ITEM NO: 475100	CAT. NO: BMYBCHMT
DRAWN BY: THIRU 01/16/2013		CHECKER: P. WASON 01/18/2013	
DSN APRVL: P. WASON		MFG APRVL: --	
QA APRVL: J. BRODEUR 01/21/2013		MKT APRVL: M. RZASA 01/18/2013	
PROD FAM: --	DRAWING NO	REV	
PROJECT #: --	SIZE	50017755	A
DOCUMENT TYPE: SALES	B	SHEET 1 OF 1	
REL LEVEL: Released			