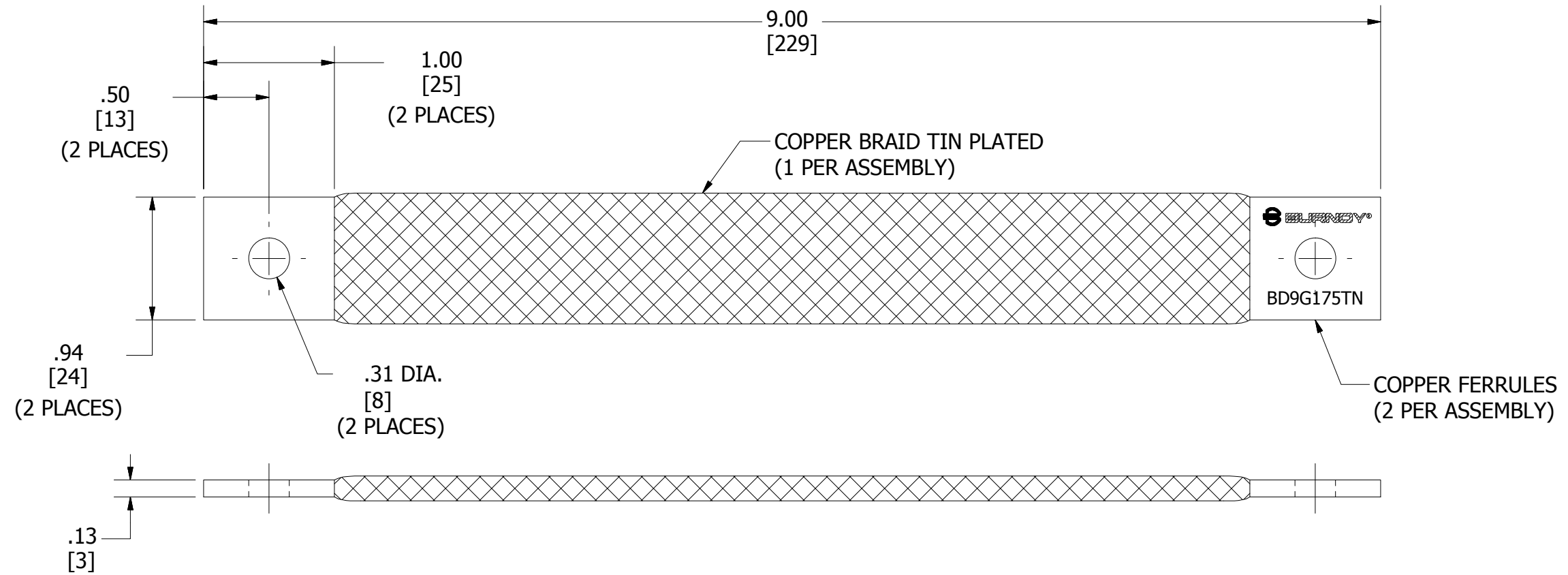


REV	DATE	DESCRIPTION	ECO	BY	C'H'K.
A	01/16/2013	CREATE SALES DRAWING	30147	YM	MB



**NOTES:**

1. DIMENSIONS IN BRACKETS [ ] ARE IN MILLIMETERS ROUNDED OFF TO THE NEAREST MILLIMETER, UNLESS OTHERWISE SPECIFIED AND ARE FOR REFERENCE ONLY.
2. MATERIALS: AS SHOWN.

TO ORDER BURNDY® PRODUCTS CALL		BRAID, JUMPER	
UNITED STATES 1-800-346-4175 (LONDONDERRY, NH)		ITEM NO: 332757	
CANADA: 1-800-361-6975 (QUEBEC) 1-800-387-6487 (ALL OTHER PROVINCES)		CAT. NO: BD9G175TN	
FOR PRODUCT INFO: <a href="http://www.burndy.com">http://www.burndy.com</a>		DRAWN BY: M.YUVARAJ	1/16/2013
		CHECKER: --	
		DSN APRVL: --	
		MFG APRVL: --	
		QA APRVL: CACKERMAN	2/4/2013
		MKT APRVL: K.ROBICHEAU	1/18/2013
		PROD FAM: --	
		PROJECT #: --	
		SIZE	
		DOCUMENT TYPE: SALES	
		REL LEVEL: Released	
		DRAWING NO	REV
		50017785	A
		SHEET 1 OF 1	

