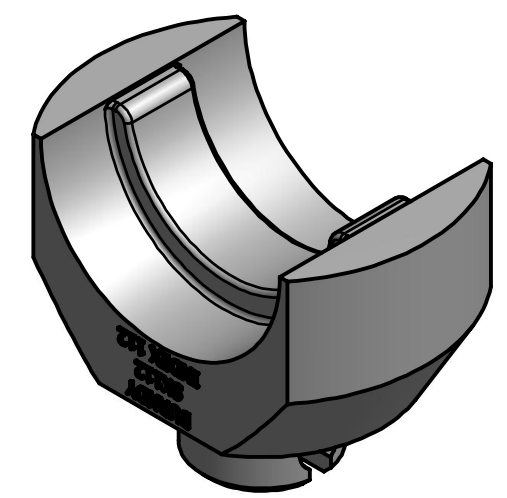
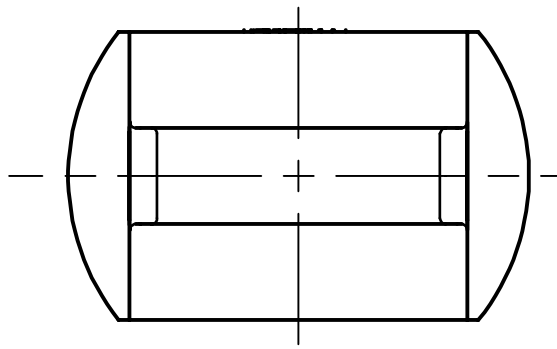
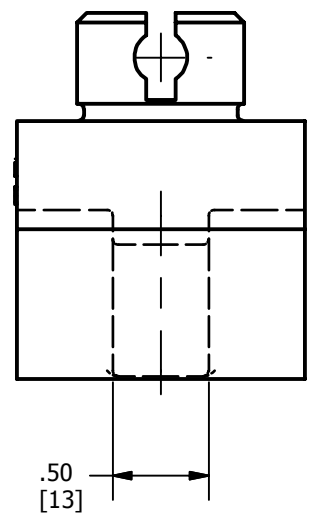
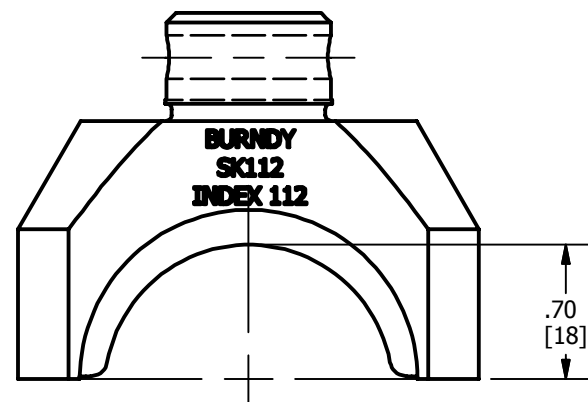


REV	DATE	DESCRIPTION	ECO	BY	C'H'K.
A	04/18/2013	SALES DRAWING CREATION	31333	YM	MB



NOTES:

1. DIMENSIONS IN BRACKETS [] ARE IN MILLIMETERS ROUNDED OFF TO THE NEAREST MILLIMETER, UNLESS OTHERWISE SPECIFIED AND ARE FOR REFERENCE ONLY.
2. MATERIAL: STAINLESS STEEL.
3. TWIN DIE SET SK112T CONSISTS OF TWO SINGLE DIES AS SHOWN.

TO ORDER BURNDY® PRODUCTS CALL		TWIN DIE (Y45L)	
UNITED STATES 1-800-346-4175 (LONDONDERRY, NH)		ITEM NO: 413300	
CANADA: 1-800-361-6975 (QUEBEC) 1-800-387-6487 (ALL OTHER PROVINCES)		CAT. NO: SK112T	
FOR PRODUCT INFO: http://www.burndy.com		DRAWN BY: YUNARAJ.M 1/18/2013	
		CHECKER: P WASON 5/16/2013	
		DSN APRVL: P WASON 5/16/2013	
		MFG APRVL: --	
		QA APRVL: J BRODEUR 5/22/2013	
		MKT APRVL: D OWENS 5/16/2013	
		PROD FAM: --	
		DRAWING NO	
		50017925	
		REV	
		A	
		SHEET 1 OF 1	