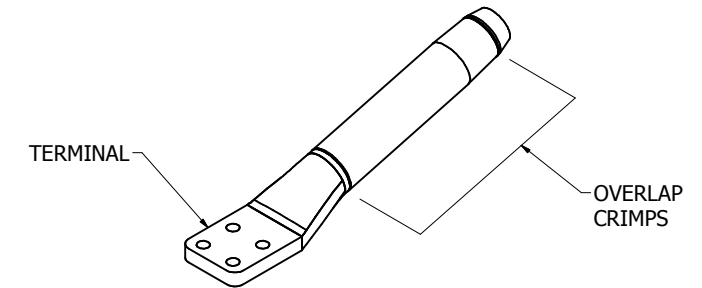
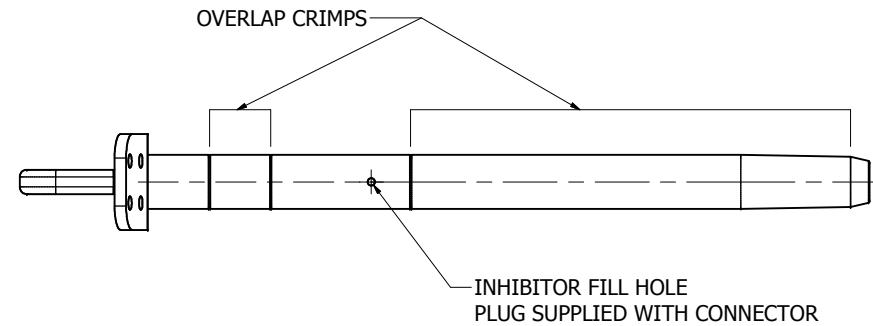
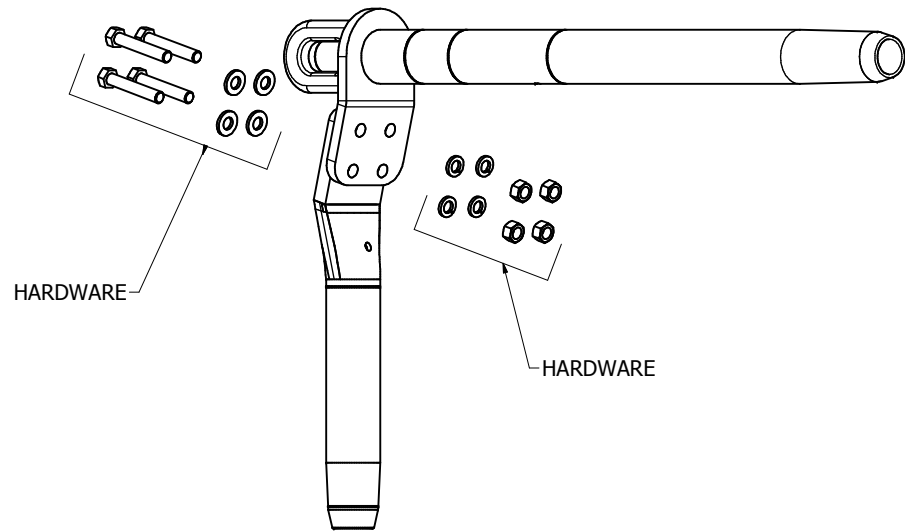



REV	DATE	DESCRIPTION	ECO	BY	CHK.
A	01/10/2013	CREATE SALES DOCUMENT FOR SINGLE PAD NON EHV FULL TENSION DEADEND CONNECTOR FOR ACSR CONNECTOR	30069	SP	PW



BURNDY FULL TENSION ACSR DEAD END KITS												
ACSR CONDUCTORS				DEAD END KITS		KITS CONTAINS (REFERENCE SALES DRAWINGS FOR INSTALLATION TOOLING, INSTALLATION TOOLING NOT INCLUDED)						
ACSR CONDUCTOR CODE NAME	Kcmil	STRANDING	CONDUCTOR O.D. INCHES[MM]	KIT CATALOG NUMBER	KIT ITEM NUMBER	ALUMINUM DEAD END ASSY.			TERMINAL			
						CATALOG NUMBER	COMPONENT SALES DRAWING	QTY	CATALOG NUMBER	MOUNTING HARDWARE CATALOG NUMBER	COMPONENT SALES DRAWING	QTY
LINNET	336.4	26/7	0.720 [18]	YTW32R34REK	25018265	YTW32R34REKNT	50018011	1	YNA32R15H	TMH3	SD064927	1
ORIOLE	336.4	30/7	0.741 [19]	YTW32R33REK	30011108	YTW32R33REKNT		1	YNA32R15H	TMH3		1
IBIS	397.5	26/7	0.783 [20]	YTW34R34REK	30011131	YTW34R34REKNT		1	YNA34R15H	TMH3		1
FLICKER	477	24/7	0.846 [21]	YTW36R362REK	30011150	YTW36R362REKNT		1	YNA36R15H	TMH23		1
HAWK	477	26/7	0.858 [22]	YTW36R36REK	25018268	YTW36R36REKNT		1	YNA36R15H	TMH23		1
PARAKEET	556.5	24/7	0.914 [23]	YTW39R43REK	30004276	YTW39R43REKNT		1	YNA39R15H	TMH23		1
DOVE	556.5	26/7	0.927 [24]	YTW39R43REK	30004276	YTW39R43REKNT		1	YNA39R15H	TMH23		1
PEACOCK	605	24/7	0.953 [24]	YTW43R43REK	30011183	YTW43R43REKNT		1	YNA43R15H	TMH4		1
SQUAB	605	26/7	0.966 [25]	YTW43R43REK	30011183	YTW43R43REKNT		1	YNA43R15H	TMH4		1
ROOK	636	24/7	0.977 [25]	YTW43R43REK	30011183	YTW43R43REKNT		1	YNA43R15H	TMH4		1
GROSBEAK	636	26/7	0.991 [25]	YTW43R43REK	30011183	YTW43R43REKNT		1	YNA43R15H	TMH4		1
FLAMINGO	666.6	24/7	1.000 [25]	YTW43R43REK	30011183	YTW43R43REKNT		1	YNA43R15H	TMH4		1

NOTES:

- MATERIAL
  - CONNECTOR EYE, STEEL ALLOY
  - CONNECTOR TUBE ASSEMBLY AND TERMINAL, ALUMINUM ALLOY, NO-OX-ID COATED
  - HARDWARE: BOLTS, FLAT WASHERS AND NUTS, ALUMINUM ALLOY
  - RESILIENT WASHERS, GALVANIZED STEEL
  - RUBBER GASKET
- RECOMMENDED TIGHTENING TORQUE:  
ALUMINUM HARDWARE: 1/2-13 300 INCH POUNDS.
- DESIGNED FOR CORONA FREE OPERATION UPTO 230 KV
- DIMENSIONS IN BRACKETS [ ] DENOTES METRIC UNITS [SI UNITS] AND ARE ROUNDED TO THE NEAREST WHOLE NUMBER. UNLESS OTHERWISE SPECIFIED THESE UNITS SHALL BE USED FOR REFERENCE ONLY.

TO ORDER BURNDY® PRODUCTS CALL		FULL TENSION, ACSR DEADEDND KITS	
UNITED STATES 1-800-346-4175 (LONDONDERRY, NH)		ITEM NO: SEE TABLE CAT. NO: SEE TABLE	
CANADA: 1-800-361-6975 (QUEBEC) 1-800-387-6487 (ALL OTHER PROVINCES)		DRAWN BY: S PANDIAN 1/28/2013 CHECKER: M MOHAN 1/28/2013 DSN APRVL: P WALTZ 1/29/2013 MFG APRVL: -- QA APRVL: J BRODEUR 1/31/2013 MKT APRVL: D HAMILTON 1/30/2013	
FOR PRODUCT INFO: <a href="http://www.burndy.com">http://www.burndy.com</a>			
PROJECT #: --	SIZE: D	DRAWING NO: 50018010	REV: A
DOCUMENT TYPE: SALES	REL LEVEL: Released	SHEET 1 OF 1	