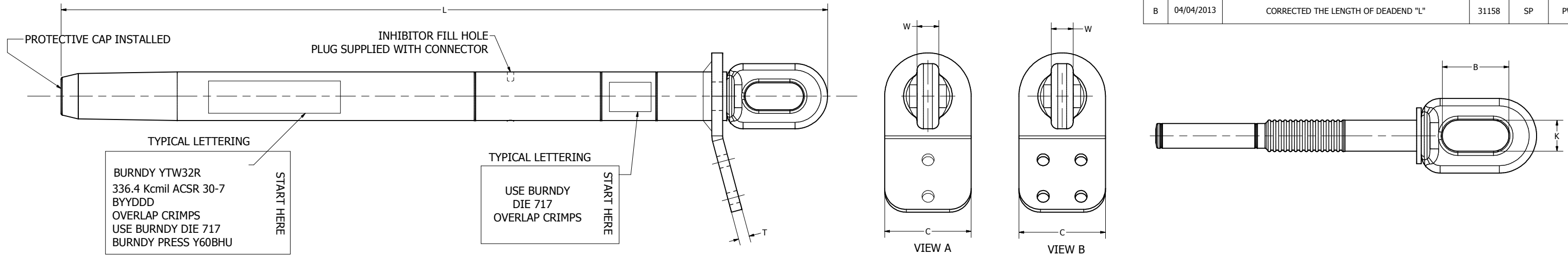


REV	DATE	DESCRIPTION	ECO	BY	CHK.
B	04/04/2013	CORRECTED THE LENGTH OF DEADEND "L"	31158	SP	PW



BURNDY FULL TENSION ACSR DEAD END KITS, SINGLE PAD, NO TERMINAL																		
ACSR CONDUCTORS				DEAD END KIT, SINGLE PAD, NO TERMINAL		KITS CONTAINS (REFERENCE SALES DRAWINGS, INSTALLATION TOOLING NOT INCLUDED)												
ACSR CONDUCTOR CODE NAME	SIZE Kcmil	STRANDING	CONDUCTOR O.D. INCHES [MM]	KIT CATALOG NUMBER	KIT ITEM NUMBER	ALUMINUM BODY ASSEMBLY (QTY 1)						EYE (QTY 1)						
						CATALOG NUMBER	VIEW	L INCHES [MM]	C INCHES [MM]	T INCHES [MM]	TOOLING		CATALOG NUMBER	B INCHES [MM]	K INCHES [MM]	W INCHES [MM]	TOOLING	
DIE INDEX	Y60BHU DIE	DIE INDEX	Y60BHU DIE															
LINNET	336.4	26/7	0.720 [18]	YTW32R34REKNT	30003678	YTW32R	A	17.25 [438]	2.25 [57]	0.50 [13]	717	L717	YTW34RE	2.50 [64]	0.88 [22]	0.62 [16]	718	L718
ORIOLE	336.4	30/7	0.741 [19]	YTW32R33REKNT	50018271	YTW32R	A	17.25 [438]	2.25 [57]	0.50 [13]	717	L717	YTW33RE	2.50 [64]	0.88 [22]	0.62 [16]	718	L718
IBIS	397.5	26/7	0.783 [20]	YTW34R34REKNT	50018272	YTW34R	A	17.21 [437]	2.25 [57]	0.50 [13]	719	L719	YTW34RE	2.50 [64]	0.88 [22]	0.62 [16]	718	L718
FLICKER	477	24/7	0.846 [21]	YTW36R362REKNT	50018273	YTW36R	A	19.53 [496]	2.25 [57]	0.50 [13]	720	L720	YTW362RE	2.50 [64]	0.88 [22]	0.62 [16]	721	L721
HAWK	477	26/7	0.858 [22]	YTW36R36REKNT	10083407	YTW36R	A	19.53 [496]	2.25 [57]	0.50 [13]	720	L720	YTW36RE	2.50 [64]	0.88 [22]	0.62 [16]	721	L721
PARAKEET	556.5	24/7	0.914 [23]	YTW39R43REKNT	30003679	YTW39R	A	19.19 [487]	2.25 [57]	0.50 [13]	722	L722	YTW43RE	2.50 [64]	0.88 [22]	0.69 [18]	723	L723
DOVE	556.5	26/7	0.927 [24]	YTW39R43REKNT	30003679	YTW39R	A	19.19 [487]	2.25 [57]	0.50 [13]	722	L722	YTW43RE	2.50 [64]	0.88 [22]	0.69 [18]	723	L723
PEACOCK	605	24/7	0.953 [24]	YTW43R43REKNT	50018274	YTW43R	B	20.04 [509]	3.25 [83]	0.50 [13]	724	L724	YTW43RE	2.50 [64]	0.88 [22]	0.69 [18]	723	L723
SQUAB	605	26/7	0.966 [25]	YTW43R43REKNT	50018274	YTW43R	B	20.04 [509]	3.25 [83]	0.50 [13]	724	L724	YTW43RE	2.50 [64]	0.88 [22]	0.69 [18]	723	L723
ROOK	636	24/7	0.977 [25]	YTW43R43REKNT	50018274	YTW43R	B	20.04 [509]	3.25 [83]	0.50 [13]	724	L724	YTW43RE	2.50 [64]	0.88 [22]	0.69 [18]	723	L723
GROSBEAK	636	26/7	0.991 [25]	YTW43R43REKNT	50018274	YTW43R	B	20.04 [509]	3.25 [83]	0.50 [13]	724	L724	YTW43RE	2.50 [64]	0.88 [22]	0.69 [18]	723	L723
FLAMINGO	666.6	24/7	1.000 [25]	YTW43R43REKNT	50018274	YTW43R	B	20.04 [509]	3.25 [83]	0.50 [13]	724	L724	YTW43RE	2.50 [64]	0.88 [22]	0.69 [18]	723	L723

NOTES:

- MATERIAL:
EYE ASSEMBLY: STEEL ALLOY, GALVANIZED, WITH RUBBER GASKET.
CONNECTOR BODY(TUBE ASSEMBLY): ALUMINIUM ALLOY NO-OX-ID COATED.
- PENETROX™ PENA13 IS REQUIRED FOR INSTALLATION. PENA13 IS NOT INCLUDED IN THE KIT, AND IS PURCHASED SEPERATELY.
- INSTALLATION TOOLING IS NOT INCLUDED IN THE KIT, IS PURCHASED SEPERATELY.
- INSTALLATION INSTRUCTION IS DRAWING NO. 10083246 (FORM# 3214)
- TENSILE STRENGTH MEETS ANSI 119.4-2004 CLASS 1 REQUIREMENTS.
- DESIGNED FOR CORONA FREE OPERATION UPTO 230KV WITHOUT ACCESSORIES.
- DIMENSIONS IN BRACKETS [] ARE METRIC UNITS [SI UNITS] AND ARE ROUNDED TO THE NEAREST WHOLE NUMBER. UNLESS OTHERWISE SPECIFIED THESE UNITS SHALL BE USED FOR REFERENCE ONLY.

TO ORDER BURNDY® PRODUCTS CALL		FULL TENSION ACSR DEADEDND KITS, NO TERMINAL	
UNITED STATES 1-800-346-4175 (LONDONDERRY, NH)		ITEM NO: SEE TABLE	
CANADA: 1-800-361-6975 (QUEBEC) 1-800-387-6487 (ALL OTHER PROVINCES)		CAT. NO: SEE TABLE	
FOR PRODUCT INFO: http://www.burndy.com		DRAWN BY: S PANDIAN 1/28/2013	
		CHECKER: M MOHAN 1/28/2013	
		DSN APRVL: P WALTZ 4/10/2013	
		MFG APRVL: --	
		QA APRVL: C ACKERMAN 4/19/2013	
		MKT APRVL: D HAMILTON 4/11/2013	
		PROD FAM: TRANSMISSION	
		PROJECT #: --	
		DOCUMENT TYPE: SALES	
		REL LEVEL: Released	
		DRAWING NO	
		50018011	
		SHEET 1 OF 1	
		REV	
		B	