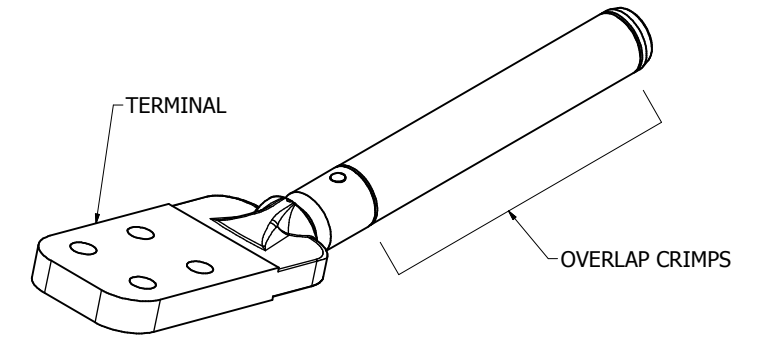
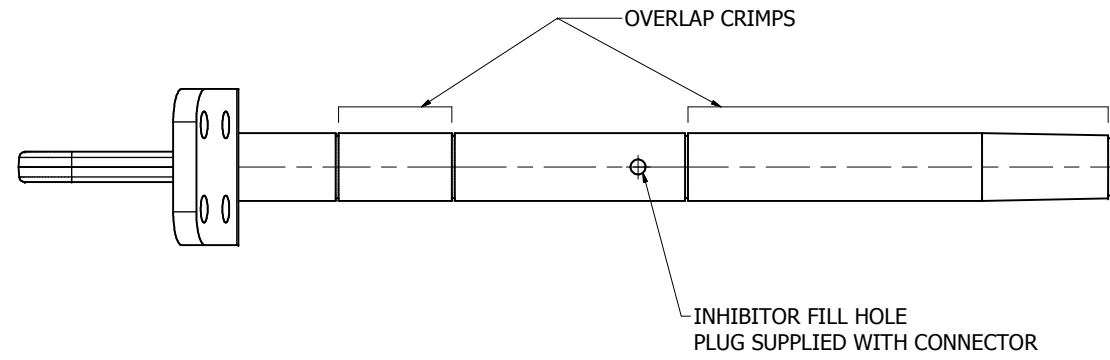
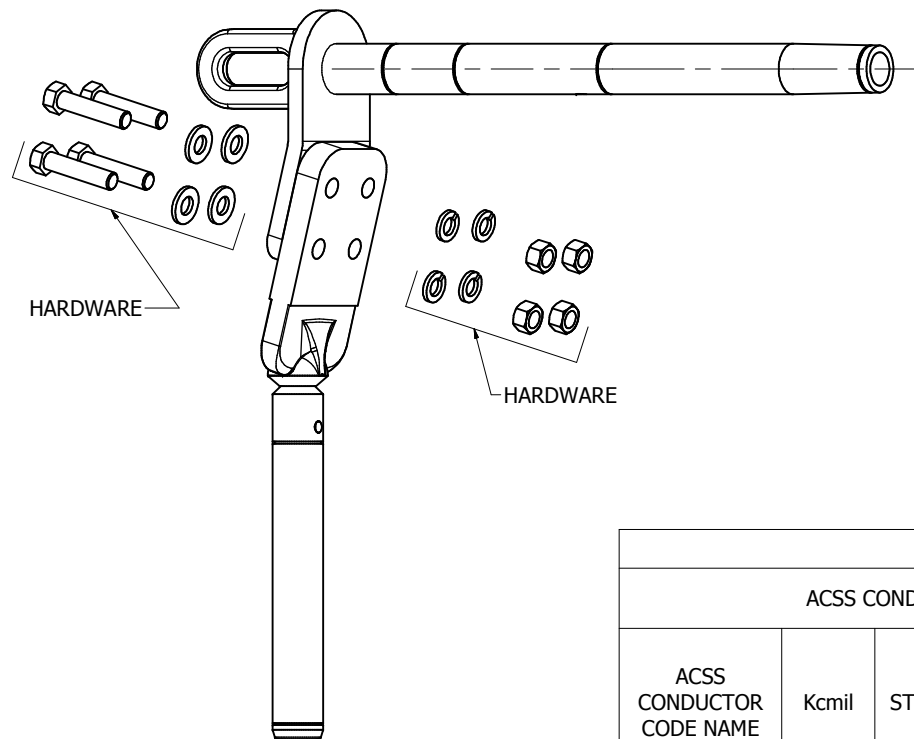


REV	DATE	DESCRIPTION	ECO	BY	C'H'K.
A	01/29/2013	CREATE SALES DOCUMENT FOR SINGLE PAD FULL TENSION DEADEND CONNECTOR CAT.# YTW-R-REKHT	30285	SP	PW



BURNDY FULL TENSION ACSS DEAD END KITS												
ACSS CONDUCTORS				DEAD END KITS		KITS CONTAINS (REFERENCE SALES DRAWINGS FOR INSTALLATION TOOLING, INSTALLATION TOOLING NOT INCLUDED)						
ACSS CONDUCTOR CODE NAME	Kcmil	STRANDING	CONDUCTOR O.D. INCHES[MM]	KIT CATALOG NUMBER	KIT ITEM NUMBER	ALUMINUM DEAD END ASSY.			TERMINAL			
						CATALOG NUMBER	COMPONENT SALES DRAWING	QTY	CATALOG NUMBER	MOUNTING HARDWARE CATALOG NUMBER	COMPONENT SALES DRAWING	QTY
LINNET	336.4	26/7	0.720 [18]	YTW32R34REKHT	30011110	YTW32R34REKHTNT	50018276	1	BYNA32R15HHT	TMH9	10113639	1
ORIOLE	336.4	30/7	0.741 [19]	YTW32R33REKHT	30011109	YTW32R33REKHTNT		1	BYNA32R15HHT	TMH9		1
IBIS	397.5	26/7	0.783 [20]	YTW34R34REKHT	30011132	YTW34R34REKHTNT		1	BYNA34R15HHT	TMH9		1
FLICKER	477	24/7	0.846 [21]	YTW36R362REKHT	10094589	YTW36R362REKHTNT		1	BYNA36R15HHT	TMH9		1
HAWK	477	26/7	0.858 [22]	YTW36R36REKHT	10099341	YTW36R36REKHTNT		1	BYNA36R15HHT	TMH9		1
PARAKEET	556.5	24/7	0.914 [23]	YTW39R43REKHT	10108657	YTW39R43REKHTNT		1	BYNA39R15HHT	TMH9		1
DOVE	556.5	26/7	0.927 [24]	YTW39R43REKHT	10108657	YTW39R43REKHTNT		1	BYNA39R15HHT	TMH9		1
PEACOCK	605	24/7	0.953 [24]	YTW43R43REKHT	30011184	YTW43R43REKHTNT		1	BYNA43R15HHT	TMH4		1
SQUAB	605	26/7	0.966 [25]	YTW43R43REKHT	30011184	YTW43R43REKHTNT		1	BYNA43R15HHT	TMH4		1
ROOK	636	24/7	0.977 [25]	YTW43R43REKHT	30011184	YTW43R43REKHTNT		1	BYNA43R15HHT	TMH4		1
GROSBEAK	636	26/7	0.991 [25]	YTW43R43REKHT	30011184	YTW43R43REKHTNT		1	BYNA43R15HHT	TMH4		1
FLAMINGO	666.6	24/7	1.000 [25]	YTW43R43REKHT	30011184	YTW43R43REKHTNT		1	BYNA43R15HHT	TMH4		1

NOTES:

- MATERIAL
  - CONNECTOR EYE, STEEL ALLOY
  - CONNECTOR TUBE ASSEMBLY AND TERMINAL, ALUMINUM ALLOY, NO-OX-ID COATED
  - HARDWARE: BOLTS, FLAT WASHERS AND NUTS, ALUMINUM ALLOY
  - RESILIENT WASHERS, GALVANIZED STEEL
  - RUBBER GASKET
- RECOMMENDED TIGHTENING TORQUE:
  - ALUMINUM HARDWARE: 1/2-13 300 INCH POUNDS.
- DESIGNED FOR CORONA FREE OPERATION UP TO 230 KV
- DIMENSIONS IN BRACKETS [ ] DENOTES METRIC UNITS [SI UNITS] AND ARE ROUNDED TO THE NEAREST WHOLE NUMBER. UNLESS OTHERWISE SPECIFIED THESE UNITS SHALL BE USED FOR REFERENCE ONLY.

<p>TO ORDER BURNDY® PRODUCTS CALL</p> <p>UNITED STATES 1-800-346-4175 (LONDONDERRY, NH)</p> <p>CANADA: 1-800-361-6975 (QUEBEC) 1-800-387-6487 (ALL OTHER PROVINCES)</p> <p>FOR PRODUCT INFO: <a href="http://www.burndy.com">http://www.burndy.com</a></p>	FULL TENSION, ACSS DEADEND KITS			
	ITEM NO: SEE TABLE			
	CAT. NO: SEE TABLE			
	DRAWN BY: S PANDIAN	2/7/2013		
	CHECKER: M MOHAN	2/8/2013		
	DSN APRVL: P WALTZ	2/14/2013		
	MFG APRVL: --			
	QA APRVL: C ACKERMAN	3/12/2013		
	MKT APRVL: D HAMILTON	2/15/2013		
	PROD FAM: TRANSMISSION		DRAWING NO	REV
PROJECT #: --	SIZE	50018275	A	
DOCUMENT TYPE: SALES	D	SHEET 1 OF 1		
REL LEVEL: Released				