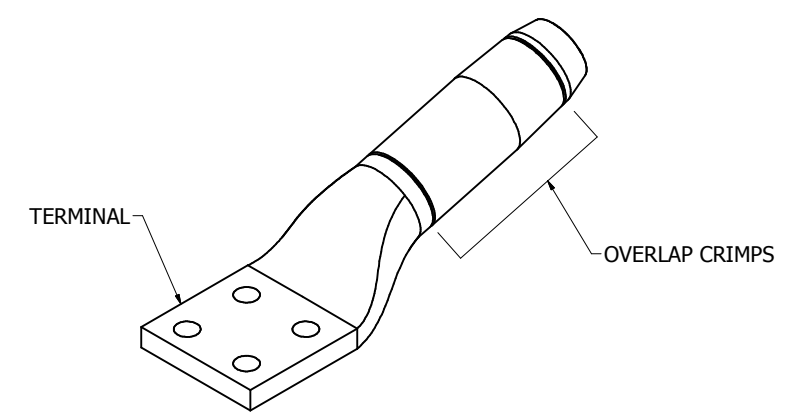
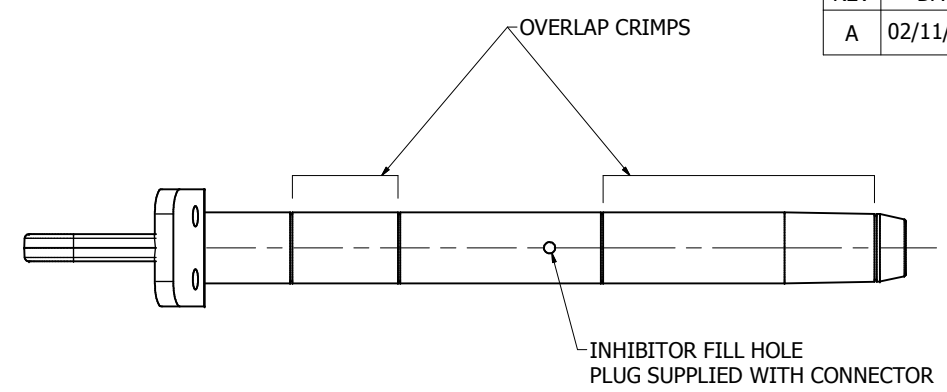
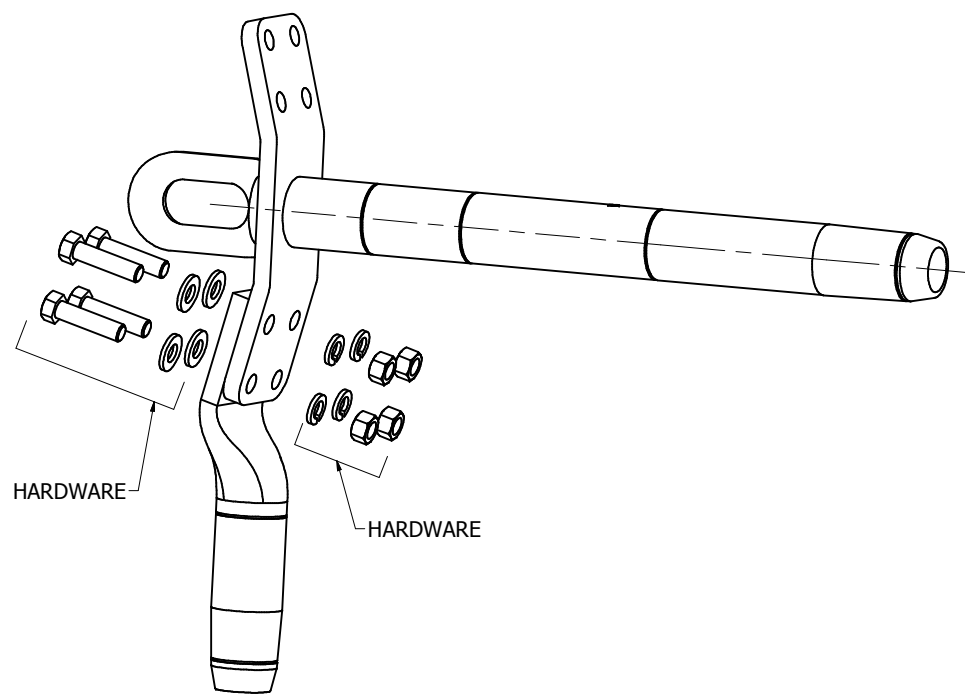



REV	DATE	DESCRIPTION	ECO	BY	C'H'K.
A	02/11/2013	CREATE SALES DOCUMENT FOR ACSR EHV DOUBLE PAD DEADEND CAT.# YTW-RDT-REK	30475	SP	PW



BURNDY FULL TENSION ACSR EHV DEAD END KITS,DOUBLE PAD												
ACSR CONDUCTORS				DEAD END KITS		KITS CONTAINS (REFERENCE SALES DRAWINGS FOR INSTALLATION TOOLING, INSTALLATION TOOLING NOT INCLUDED)						
ACSR CONDUCTOR CODE NAME	Kcmil	STRANDING	CONDUCTOR O.D. INCHES[MM]	KIT CATALOG NUMBER	KIT ITEM NUMBER	ALUMINUM DEAD END ASSY.			TERMINAL			
						CATALOG NUMBER	COMPONENT SALES DRAWING	QTY	CATALOG NUMBER	MOUNTING HARDWARE CATALOG NUMBER	COMPONENT SALES DRAWING	QTY
LINNET	336.4	26/7	0.720 [18]	YTW32RDT34REK	30011118	YTW32RDT34REKNT	50019453	1	YNA32RT15H	TMH3	SD64930	2
ORIOLE	336.4	30/7	0.741 [19]	YTW32RDT33REK	30011116	YTW32RDT33REKNT		1	YNA32RT15H	TMH3		2
IBIS	397.5	26/7	0.783 [20]	YTW34RDT34REK	30011136	YTW34RDT34REKNT		1	YNA34RT15H	TMH3		2
FLICKER	477	24/7	0.846 [21]	YTW36RDT362REK	30011155	YTW36RDT362REKNT		1	YNA36RT15H	TMH23		2
HAWK	477	26/7	0.858 [22]	YTW36RDT36REK	30011157	YTW36RDT36REKNT		1	YNA36RT15H	TMH23		2
PARAKEET	556.5	24/7	0.914 [23]	YTW39RDT43REK	30011173	YTW39RDT43REKNT		1	YNA39RT15H	TMH23		2
DOVE	556.5	26/7	0.927 [24]	YTW39RDT43REK	30011173	YTW39RDT43REKNT		1	YNA39RT15H	TMH23		2
PEACOCK	605	24/7	0.953 [24]	YTW43RDT43REK	30011188	YTW43RDT43REKNT		1	YNA43RT15H	TMH4		2

NOTES:

- MATERIAL
  - CONNECTOR EYE, STEEL ALLOY
  - CONNECTOR TUBE ASSEMBLY AND TERMINAL,ALUMINUM ALLOY, NO-OX-ID COATED
  - HARDWARE: BOLTS, FLAT WASHERS AND NUTS, ALUMINUM ALLOY
  - RESILIENT WASHERS, GALVANIZED STEEL
  - RUBBER GASKET
- RECOMMENDED TIGHTENING TORQUE:  
ALUMINUM HARDWARE: 1/2-13 300 INCH POUNDS.
- DESIGNED FOR CORONA FREE OPERATION UP TO 230KV WITHOUT ACCESSORIES.
- DIMENSIONS IN BRACKETS [ ] DENOTES METRIC UNITS [SI UNITS] AND ARE ROUNDED TO THE NEAREST WHOLE NUMBER. UNLESS OTHERWISE SPECIFIED THESE UNITS SHALL BE USED FOR REFERENCE ONLY.

TO ORDER BURNDY® PRODUCTS CALL		DOUBLE PAD,EHV FULL TENSION DEADEND-ACSR	
UNITED STATES 1-800-346-4175 (LONDONDERRY, NH)		ITEM NO: SEE TABLE CAT. NO: SEE TABLE	
CANADA: 1-800-361-6975 (QUEBEC) 1-800-387-6487 (ALL OTHER PROVINCES)		DRAWN BY: S PANDIAN 2/19/2013 CHECKER: M MOHAN 2/19/2013 DSN APRVL: P WALTZ 4/1/2013 MFG APRVL: -- QA APRVL: C ACKERMAN 4/2/2013 MKT APRVL: D HAMILTON 4/1/2013	
FOR PRODUCT INFO: <a href="http://www.burndy.com">http://www.burndy.com</a>			
PROJECT #:	SIZE	DRAWING NO	REV
DOCUMENT TYPE: SALES	D	50019452	A
REL LEVEL: Released		SHEET 1 OF 2	

BURNDY FULL TENSION ACSR EHV DEAD END KITS,DOUBLE PAD

ACSR CONDUCTORS				DEAD END KITS		KITS CONTAINS (REFERENCE SALES DRAWINGS FOR INSTALLATION TOOLING, INSTALLATION TOOLING NOT INCLUDED)						
ACSR CONDUCTOR CODE NAME	Kcmil	STRANDING	CONDUCTOR O.D. INCHES [MM]	KIT CATALOG NUMBER	KIT ITEM NUMBER	ALUMINUM DEAD END ASSY.			TERMINAL			
						CATALOG NUMBER	COMPONENT SALES DRAWING	QTY	CATALOG NUMBER	MOUNTING HARDWARE CATALOG NUMBER	COMPONENT SALES DRAWING	QTY
SQUAB	605	26/7	0.966 [25]	YTW43RDT43REK	30011188	YTW43RDT43REKNT		1	YNA43RT15H	TMH4		2
ROOK	636	24/7	0.977 [25]	YTW43RDT43REK	30011188	YTW43RDT43REKNT		1	YNA43RT15H	TMH4		2
GROSBEAK	636	26/7	0.991 [25]	YTW43RDT43REK	30011188	YTW43RDT43REKNT		1	YNA43RT15H	TMH4		2
FLAMINGO	666.6	24/7	1.000 [25]	YTW43RDT43REK	30011188	YTW43RDT43REKNT		1	YNA43RT15H	TMH4		2
STARLING	715.5	26/7	1.051 [27]	YTW451RDT48REK	10083995	YTW451RDT48REKNT		1	YNA451RT15H	TMH4		2
CUCKOO	795	24/7	1.092 [28]	YTW451RDT45REK	10105688	YTW451RDT45REKNT		1	YNA451RT15H	TMH4		2
DRAKE	795	26/7	1.107 [28]	YTW451RDT48REK	10083995	YTW451RDT48REKNT		1	YNA451RT15H	TMH4		2
TERN	795	45/7	1.063 [27]	YTW451RDT481REK	30011212	YTW451RDT481REKNT		1	YNA451RT15H	TMH4		2
CONDOR	795	54/7	1.092 [28]	YTW451RDT45REK	10105688	YTW451RDT45REKNT		1	YNA451RT15H	TMH4		2
RUDDY	900	45/7	1.131 [29]	YTW48RDT481REK	30011249	YTW48RDT481REKNT		1	YNA49RT15H	TMH24		2
RAIL	954	45/7	1.165 [30]	YTW48RDT481REK	30011249	YTW48RDT481REKNT		1	YNA49RT15H	TMH24		2
CARDINAL	954	54/7	1.196 [30]	YTW48RDT48REK	30011251	YTW48RDT48REKNT		1	YNA49RT15H	TMH24		2
ORTOLAN	1033.5	45/7	1.212 [31]	YTW49RDT483REK	30011262	YTW49RDT483REKNT		1	YNA49RT15H	TMH24		2
CURLEW	1033.5	54/7	1.245 [31]	YTW49RDT50REK	30011264	YTW49RDT50REKNT		1	YNA49RT15H	TMH24		2
BLUEJAY	1113	45/7	1.258 [32]	YTW49RDT483REK	30011262	YTW49RDT483REKNT	50019453	1	YNA49RT15H	TMH24	SD64930	2
FINCH	1113	54/19	1.292 [33]	YTW52RDT50REK	30011279	YTW52RDT50REKNT		1	YNA52RT15H	TMH9		2
BUNTING	1192.5	45/7	1.302 [33]	YTW52RDT521REK	30011281	YTW52RDT521REKNT		1	YNA52RT15H	TMH9		2
BITTERN	1272	45/7	1.345 [34]	YTW52RDT521REK	30011281	YTW52RDT521REKNT		1	YNA52RT15H	TMH9		2
PHEASANT	1272	54/19	1.381 [35]	YTW52RDT56REK	30011283	YTW52RDT56REKNT		1	YNA52RT15H	TMH9		2
DIPPER	1351.5	45/7	1.386 [35]	YTW52RDT521REK	30011281	YTW52RDT521REKNT		1	YNA52RT15H	TMH9		2
MARTIN	1351.5	54/19	1.424 [36]	YTW52RDT56REK	30011283	YTW52RDT56REKNT		1	YNA52RT15H	TMH9		2
NUTHATCH	1510.5	45/7	1.465 [37]	YTW549RDT521REK	30011299	YTW549RDT521REKNT		1	YNA56RT15H	TMH9		2
PARROT	1510.5	54/19	1.505 [38]	YTW549RDT56REK	30011302	YTW549RDT56REKNT		1	YNA56RT15H	TMH9		2
LAPWING	1590	45/7	1.504 [38]	YTW549RDT549REK	25018317	YTW549RDT549REKNT		1	YNA56RT15H	TMH9		2
FALCON	1590	54/19	1.544 [39]	YTW56RDT590REK	30011317	YTW56RDT590REKNT		1	YNA56RT15H	TMH9		2
CHUKAR	1780	84/19	1.601 [41]	YTW58RDT58REK	30011326	YTW58RDT58REKNT		1	YNA58RT15H	TMH9		2
BLUEBIRD	2156	84/19	1.762 [45]	YTW59RDT59REK	30011345	YTW59RDT59REKNT		1	YNA59RT15H	TMH9		2
KIWI	2167	72/7	1.735 [44]	YTW59RDT591REK	30011343	YTW59RDT591REKNT		1	YNA59RT15H	TMH9		2

TO ORDER BURNDY® PRODUCTS CALL		DOUBLE PAD,EHV FULL TENSION DEADEND-ACSR	
UNITED STATES 1-800-346-4175 (LONDONDERRY, NH)		ITEM NO: SEE TABLE	
CANADA: 1-800-361-6975 (QUEBEC) 1-800-387-6487 (ALL OTHER PROVINCES)		CAT. NO: SEE TABLE	
FOR PRODUCT INFO: <a href="http://www.burndy.com">http://www.burndy.com</a>		DRAWN BY: S PANDIAN 2/19/2013	
		CHECKER: M MOHAN 2/19/2013	
		DSN APRVL: P WALTZ 4/1/2013	
		MFG APRVL: --	
		QA APRVL: C ACKERMAN 4/2/2013	
		MKT APRVL: D HAMILTON 4/1/2013	
		PROD FAM: TRANSMISSION	
		PROJECT #: --	
		DOCUMENT TYPE: SALES	
		REL LEVEL: Released	
		DRAWING NO	
		50019452	
		SHEET 2 OF 2	
		REV	
		A	

A	02/11/2013	CREATE SALES DOCUMENT FOR ACSR EHV DOUBLE PAD DEADEND CAT.# YTW-RDT-REK	30475	SP	PW
REV	DATE	DESCRIPTION	ECO	BY	C'H'K.