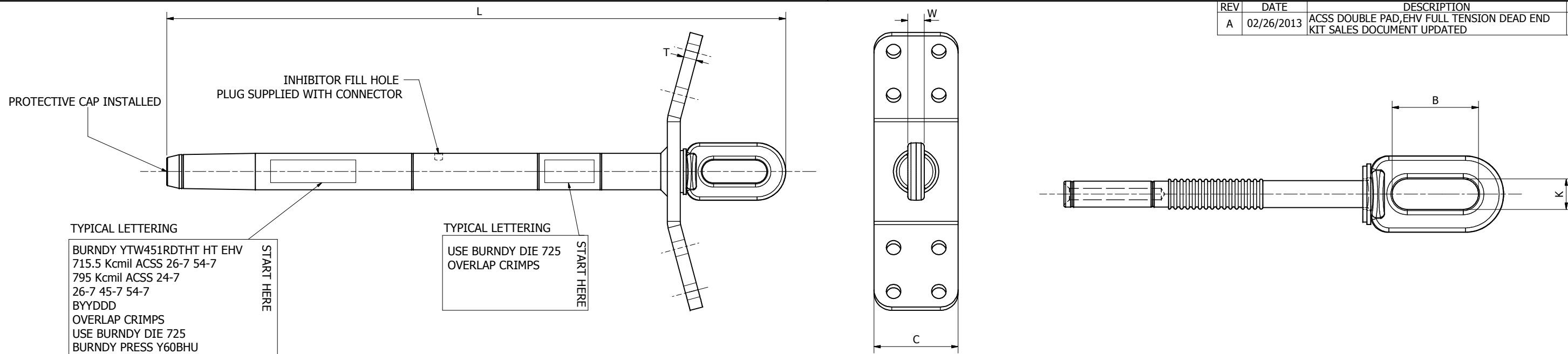


REV	DATE	DESCRIPTION	ECO	BY	CHK.
A	02/26/2013	ACSS DOUBLE PAD,EHV FULL TENSION DEAD END KIT SALES DOCUMENT UPDATED	30477	SRI	SP



BURNDY FULL TENSION ACSS EHV DEAD END KITS,DOUBLE PAD,NO TERMINAL

ACSS CONDUCTORS				DEAD END KIT,DOUBLE PAD,NO TERMINAL		KIT CONTAINS (REFERENCE SALES DRAWINGS,INSTALLATION TOOLING NOT INCLUDED)											
ACSS CONDUCTOR CODE NAME	SIZE Kcmil	STRANDING	CONDUCTOR O.D. INCHES [MM]	KIT CATALOG NUMBER	KIT ITEM NUMBER	ALUMINUM BODY ASSEMBLY (QTY 1)						STEEL EYE (QTY 1)					
						CATALOG NUMBER	L INCHES [MM]	C INCHES [MM]	T INCHES [MM]	TOOLING		CATALOG NUMBER	B INCHES [MM]	K INCHES [MM]	W INCHES [MM]	TOOLING	
										DIE INDEX	Y60BHU DIE					DIE INDEX	Y60BHU DIE
LINNET	336.4	26/7	0.720 [18]	YTW32RDT34REKHTNT	50020460	YTW32RDTH	21.57 [548]	3.25 [83]	0.50 [13]	717	L717	YTW34REHT	2.50 [64]	0.88 [22]	0.62 [16]	718	L718
ORIOLE	336.4	30/7	0.741 [19]	YTW32RDT33REKHTNT	50020461	YTW32RDTH	21.57 [548]	3.25 [83]	0.50 [13]	717	L717	YTW33REHT	2.50 [64]	0.88 [22]	0.62 [16]	718	L718
IBIS	397.5	26/7	0.783 [20]	YTW34RDT34REKHTNT	50020462	YTW34RDTH	21.59 [548]	3.25 [83]	0.50 [13]	719	L719	YTW34REHT	2.50 [64]	0.88 [22]	0.62 [16]	718	L718
FLICKER	477	24/7	0.846 [21]	YTW36RDT362REKHTNT	50020459	YTW36RDTH	23.92 [608]	3.25 [83]	0.50 [13]	720	L720	YTW362REHT	2.50 [64]	0.88 [22]	0.62 [16]	721	L721
HAWK	477	26/7	0.858 [22]	YTW36RDT36REKHTNT	50020463	YTW36RDTH	23.92 [608]	3.25 [83]	0.50 [13]	720	L720	YTW36REHT	2.50 [64]	0.88 [22]	0.62 [16]	721	L721
PARAKEET	556.5	24/7	0.914 [23]	YTW39RDT43REKHTNT	50020464	YTW39RDTH	23.63 [600]	3.25 [83]	0.50 [13]	722	L722	YTW43REHT	2.50 [64]	0.88 [22]	0.69 [18]	723	L723
DOVE	556.5	26/7	0.927 [24]	YTW39RDT43REKHTNT	50020464	YTW39RDTH	23.63 [600]	3.25 [83]	0.50 [13]	722	L722	YTW43REHT	2.50 [64]	0.88 [22]	0.69 [18]	723	L723
PEACOCK	605	24/7	0.953 [24]	YTW43RDT43REKHTNT	50020465	YTW43RDTH	24.46 [621]	3.25 [83]	0.50 [13]	724	L724	YTW43REHT	2.50 [64]	0.88 [22]	0.69 [18]	723	L723

NOTES:


- MATERIAL:
EYE ASSEMBLY: STEEL ALLOY, GALVANIZED, WITH RUBBER GASKET.
CONNECTOR BODY(TUBE ASSEMBLY): ALUMINIUM ALLOY NO-OX-ID COATED.
- PENETROX™ PENHT IS REQUIRED FOR INSTALLATION. PENHT IS NOT INCLUDED IN THE KIT, AND IS PURCHASED SEPERATELY.
- INSTALLATION TOOLING IS NOT INCLUDED IN THE KIT, IS PURCHASED SEPERATELY.
- INSTALLATION INSTRUCTION IS DRAWING NO. 10104799 (FORM 10104802)
- TENSILE STRENGTH MEETS ANSI 119.4-2004 CLASS 1 REQUIREMENTS.
- DESIGNED FOR CORONA FREE OPERATION UP TO 230KV WITHOUT ACCESSORIES.
- DIMENSIONS IN BRACKETS [] ARE METRIC UNITS [SI UNITS] AND ARE ROUNDED TO THE NEAREST WHOLE NUMBER. UNLESS OTHERWISE SPECIFIED THESE UNITS SHALL BE USED FOR REFERENCE ONLY.

TO ORDER BURNDY® PRODUCTS CALL		FULL TENSION ACSS EHV DEADEND KITS,NO TERMINAL	
UNITED STATES		ITEM NO: SEE TABLE	
1-800-346-4175 (LONDONDERRY, NH)		CAT. NO: SEE TABLE	
CANADA:		DRAWN BY: A SRINIVASAN 2/26/2013	
1-800-361-6975 (QUEBEC)		CHECKER: S PANDIAN 2/28/2013	
1-800-387-6487 (ALL OTHER PROVINCES)		DSN APRVL: P WALTZ 3/22/2013	
FOR PRODUCT INFO: http://www.burndy.com		MFG APRVL: --	
		QA APRVL: C ACKERMAN 4/2/2013	
		MKT APRVL: D HAMILTON 3/25/2013	
		PROD FAM: TRANSMISSION	
		PROJECT #: --	
		DOCUMENT TYPE: SALES	
		REL LEVEL: Released	
		DRAWING NO	
		50020470	
		REV	
		A	
		SHEET 1 OF 2	

REV	DATE	DESCRIPTION	ECO	BY	CHK.
A	02/26/2013	ACSS DOUBLE PAD,EHV FULL TENSION DEAD END KIT SALES DOCUMENT UPDATED	30477	SRI	SP

BURNDY FULL TENSION ACSS EHV DEAD END KITS, DOUBLE PAD, NO TERMINAL

ACSS CONDUCTORS			DEAD END KIT, DOUBLE PAD,NO TERMINAL		KITS CONTAINS (REFERENCE SALES DRAWINGS, INSTALLATION TOOLING NOT INCLUDED)												
ACSS CONDUCTOR CODE NAME	SIZE Kcmil	STRANDING	CONDUCTOR O.D. INCHES[MM]	KIT CATALOG NUMBER	KIT ITEM NUMBER	ALUMINUM BODY ASSEMBLY (QTY 1)						STEEL EYE (QTY 1)					
						CATALOG NUMBER	L INCHES [MM]	C INCHES [MM]	T INCHES [MM]	TOOLING		CATALOG NUMBER	B INCHES [MM]	K INCHES [MM]	W INCHES [MM]	TOOLING	
										DIE INDEX	Y60BHU DIE					DIE INDEX	Y60BHU DIE
SQUAB	605	26/7	0.966 [25]	YTW43RDT43REKHTNT	50020465	YTW43RDTH	24.46 [621]	3.25 [83]	0.50 [13]	724	L724	YTW43REHT	2.50 [64]	0.88 [22]	0.69 [18]	723	L723
ROOK	636	24/7	0.977 [25]	YTW43RDT43REKHTNT	50020465	YTW43RDTH	24.46 [621]	3.25 [83]	0.50 [13]	724	L724	YTW43REHT	2.50 [64]	0.88 [22]	0.69 [18]	723	L723
GROSBEAK	636	26/7	0.991 [25]	YTW43RDT43REKHTNT	50020465	YTW43RDTH	24.46 [621]	3.25 [83]	0.50 [13]	724	L724	YTW43REHT	2.50 [64]	0.88 [22]	0.69 [18]	723	L723
FLAMINGO	666.6	24/7	1.000 [25]	YTW43RDT43REKHTNT	50020465	YTW43RDTH	24.46 [621]	3.25 [83]	0.50 [13]	724	L724	YTW43REHT	2.50 [64]	0.88 [22]	0.69 [18]	723	L723
STARLING	715.5	26/7	1.051 [27]	YTW451RDT48REKHTNT	50020466	YTW451RDTH	29.41 [747]	3.25 [83]	0.50 [13]	725	L725	YTW48REHT	2.69 [68]	1.25 [32]	0.75 [19]	726	L726
CUCKOO	795	24/7	1.092 [28]	YTW451RDT45REKHTNT	50020467	YTW451RDTH	29.41 [747]	3.25 [83]	0.50 [13]	725	L725	YTW45REHT	2.69 [68]	1.25 [32]	0.75 [19]	726	L726
DRAKE	795	26/7	1.107 [28]	YTW451RDT48REKHTNT	50020466	YTW451RDTH	29.41 [747]	3.25 [83]	0.50 [13]	725	L725	YTW48REHT	2.69 [68]	1.25 [32]	0.75 [19]	726	L726
TERN	795	45/7	1.063 [27]	YTW451RDT481REKHTNT	50020468	YTW451RDTH	29.41 [747]	3.25 [83]	0.50 [13]	725	L725	YTW481REHT	2.69 [68]	1.25 [32]	0.75 [19]	726	L726
CONDOR	795	54/7	1.092 [28]	YTW451RDT45REKHTNT	50020467	YTW451RDTH	29.41 [747]	3.25 [83]	0.50 [13]	725	L725	YTW45REHT	2.69 [68]	1.25 [32]	0.75 [19]	726	L726
RUDDY	900	45/7	1.131 [29]	YTW48RDT481REKHTNT	50020471	YTW48RDTH	28.50 [724]	3.25 [83]	0.50 [13]	727	L727	YTW481REHT	2.69 [68]	1.25 [32]	0.75 [19]	726	L726
RAIL	954	45/7	1.165 [30]	YTW48RDT481REKHTNT	50020471	YTW48RDTH	28.50 [724]	3.25 [83]	0.50 [13]	727	L727	YTW481REHT	2.69 [68]	1.25 [32]	0.75 [19]	726	L726
CARDINAL	954	54/7	1.196 [30]	YTW48RDT48REKHTNT	50020472	YTW48RDTH	28.50 [724]	3.25 [83]	0.50 [13]	727	L727	YTW48REHT	2.69 [68]	1.25 [32]	0.75 [19]	726	L726
ORTOLAN	1033.5	45/7	1.212 [31]	YTW49RDT483REKHTNT	50020473	YTW49RDTH	28.80 [732]	3.25 [83]	0.50 [13]	727	L727	YTW483REHT	2.69 [68]	1.25 [32]	1.00 [25]	726	L726
CURLEW	1033.5	54/7	1.245 [31]	YTW49RDT50REKHTNT	50020574	YTW49RDTH	28.80 [732]	3.25 [83]	0.50 [13]	727	L727	YTW50REHT	2.69 [68]	1.25 [32]	1.00 [25]	726	L726
BLUEJAY	1113	45/7	1.258 [32]	YTW49RDT483REKHTNT	50020473	YTW49RDTH	28.80 [732]	3.25 [83]	0.50 [13]	727	L727	YTW483REHT	2.69 [68]	1.25 [32]	1.00 [25]	726	L726
FINCH	1113	54/19	1.292 [33]	YTW52RDT50REKHTNT	50020576	YTW52RDTH	35.43 [900]	3.25 [83]	0.50 [13]	728	L728	YTW50REHT	2.69 [68]	1.25 [32]	1.00 [25]	726	L726
BUNTING	1192.5	45/7	1.302 [33]	YTW52RDT521REKHTNT	50020577	YTW52RDTH	35.55 [903]	4.00 [102]	0.62 [16]	728	L728	YTW521REHT	2.69 [68]	1.25 [32]	1.00 [25]	726	L726
BITTERN	1272	45/7	1.345 [34]	YTW52RDT521REKHTNT	50020577	YTW52RDTH	35.55 [903]	4.00 [102]	0.62 [16]	728	L728	YTW521REHT	2.69 [68]	1.25 [32]	1.00 [25]	726	L726
PHEASANT	1272	54/19	1.381 [35]	YTW52RDT56REKHTNT	50020578	YTW52RDTH	35.55 [903]	4.00 [102]	0.62 [16]	728	L728	YTW56REHT	2.69 [68]	1.25 [32]	1.00 [25]	726	L726
DIPPER	1351.5	45/7	1.386 [35]	YTW52RDT521REKHTNT	50020577	YTW52RDTH	35.55 [903]	4.00 [102]	0.62 [16]	728	L728	YTW521REHT	2.69 [68]	1.25 [32]	1.00 [25]	726	L726
MARTIN	1351.5	54/19	1.424 [36]	YTW52RDT56REKHTNT	50020578	YTW52RDTH	35.55 [903]	4.00 [102]	0.62 [16]	728	L728	YTW56REHT	2.69 [68]	1.25 [32]	1.00 [25]	726	L726
NUTHATCH	1510.5	45/7	1.465 [37]	YTW549RDT521REKHTNT	50020579	YTW549RDTH	31.58 [802]	4.00 [102]	0.62 [16]	729	L729	YTW521REHT	2.69 [68]	1.25 [32]	1.00 [25]	726	L726
PARROT	1510.5	54/19	1.505 [38]	YTW549RDT56REKHTNT	50020580	YTW549RDTH	31.58 [802]	4.00 [102]	0.62 [16]	729	L729	YTW56REHT	2.69 [68]	1.25 [32]	1.00 [25]	726	L726
LAPWING	1590	45/7	1.504 [38]	YTW549RDT549REKHTNT	50020581	YTW549RDTH	31.58 [802]	4.00 [102]	0.62 [16]	729	L729	YTW549REHT	2.69 [68]	1.25 [32]	1.00 [25]	726	L726
FALCON	1590	54/19	1.544 [39]	YTW56RDT590REKHTNT	50020582	YTW56RDTH	31.77 [807]	4.00 [102]	0.62 [16]	729	L729	YTW590REHT	2.69 [68]	1.25 [32]	1.00 [25]	726	L726
CHUKAR	1780	84/19	1.601 [41]	YTW58RDT58REKHTNT	50020583	YTW58RDTH	32.77 [832]	4.00 [102]	0.62 [16]	735	L735	YTW58REHT	2.69 [68]	1.25 [32]	1.00 [25]	726	L726
BLUEBIRD	2156	84/19	1.762 [45]	YTW59RDT59REKHTNT	30024065	YTW59RDTH	36.31 [922]	4.00 [102]	0.62 [16]	735	L735	YTW59REHT	2.69 [68]	1.25 [32]	1.00 [25]	726	L726
KIWI	2167	72/7	1.735 [44]	YTW59RDT591REKHTNT	50020584	YTW59RDTH	36.31 [922]	4.00 [102]	0.62 [16]	735	L735	YTW591REHT	2.69 [68]	1.25 [32]	1.00 [25]	726	L726

<p>TO ORDER BURNDY® PRODUCTS CALL</p> <p>UNITED STATES 1-800-346-4175 (LONDONDERRY, NH)</p> <p>CANADA: 1-800-361-6975 (QUEBEC) 1-800-387-6487 (ALL OTHER PROVINCES)</p> <p>FOR PRODUCT INFO: http://www.burndy.com</p>		<p>FULL TENSION ACSS EHV DEADEND KITS,NO TERMINAL</p> <p>ITEM NO: SEE TABLE</p> <p>CAT. NO: SEE TABLE</p> <p>DRAWN BY: A SRINIVASAN 2/26/2013</p> <p>CHECKER: S PANDIAN 2/28/2013</p> <p>DSN APRVL: P WALTZ 3/22/2013</p> <p>MFG APRVL: --</p> <p>QA APRVL: C ACKERMAN 4/2/2013</p> <p>MKT APRVL: D HAMILTON 3/25/2013</p>			
<p>PROJECT #:</p> <p>DOCUMENT TYPE: SALES</p> <p>REL LEVEL: Released</p>		<p>SIZE: D</p>		<p>DRAWING NO: 50020470</p> <p>REV: A</p> <p>SHEET 2 OF 2</p>	