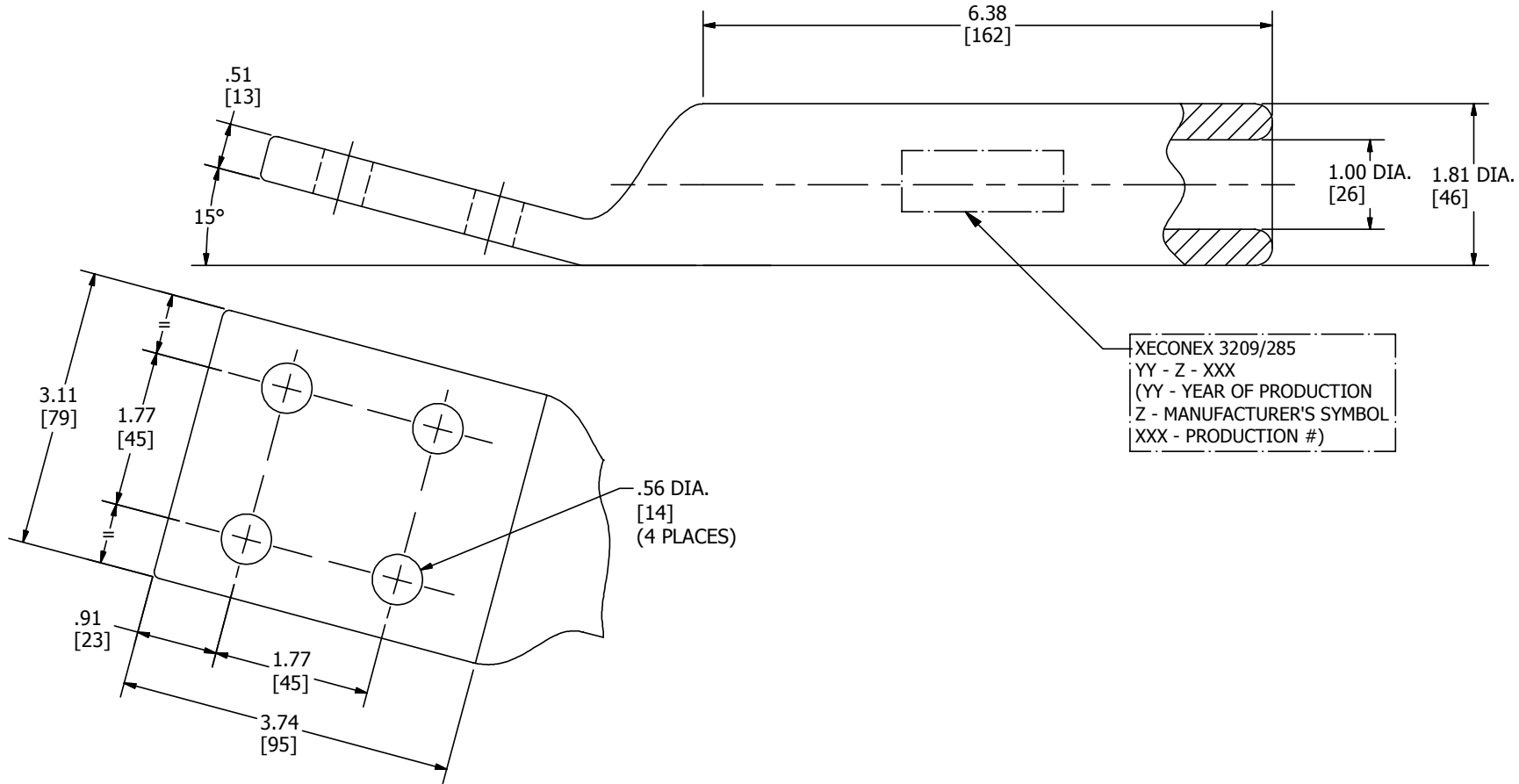


*** COMPONENT'S LIST ***				
PT NO.	ITEM NUMBER	CATALOG NO.	QTY.	DESCRIPTION
1	30024697	PV3209/285	1	JT AL. MAIN SUB - ASSY.

REV	DATE	DESCRIPTION	ECO	BY	C'H'K
A	03/28/2013	ADD SALES DWG. CAT.# 3052/ACSS	31220	MRA	MB



XECONEX 3209/285
 YY - Z - XXX
 (YY - YEAR OF PRODUCTION
 Z - MANUFACTURER'S SYMBOL
 XXX - PRODUCTION #)

NOTES:

1. DIMENSIONS IN BRACKETS [] ARE IN MILLIMETERS ROUNDED OFF TO THE NEAREST MILLIMETER, UNLESS OTHERWISE SPECIFIED AND ARE FOR REFERENCE ONLY.

2 THIS FITTING WILL FIT THE FOLLOWING CONDUCTORS:

a) DOVE ACSS 26/7 556.5 kcmil.

TO ORDER BURNDY PRODUCTS CALL		IMPLOR® JUMPER TERMINAL ASSEMBLY SEE NOTE < 2	
UNITED STATES		ITEM NO: 30016653	
1-800-346-4175 (LONDONDERRY, NH)		CAT. NO: 3052/ACSS	
CANADA:		DRAWN BY: M RAMESH 3/28/2013	
1-800-361-6975 (QUEBEC)		CHECKER: G GORJA 4/23/2013	
1-800-387-6487 (ALL OTHER PROVINCES)		DSN APRVL: G GORJA 4/23/2013	
FOR PRODUCT INFO: http://www.burndy.com		MFG APRVL: J ENG 4/18/2013	
		QA APRVL: V HOXHA 4/16/2013	
		MKT APRVL: -	
		PROJ FIRM: TRANSMISSION	
		DRAWING NO	
		50021354	
		REV	
		A	
		SHEET 1 OF 1	