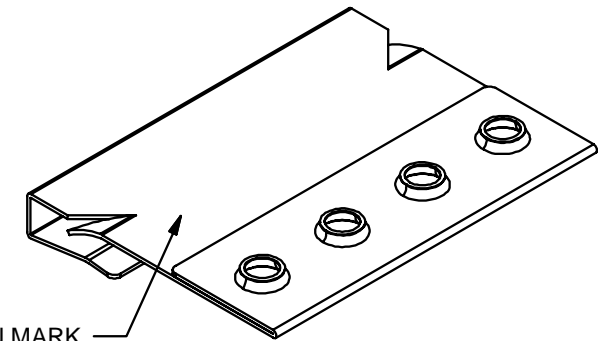
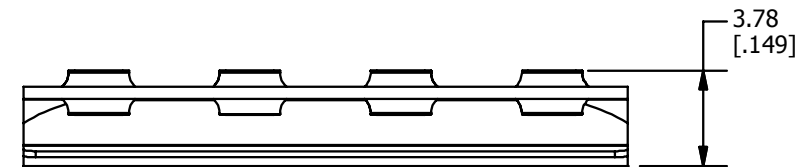
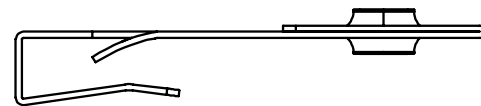
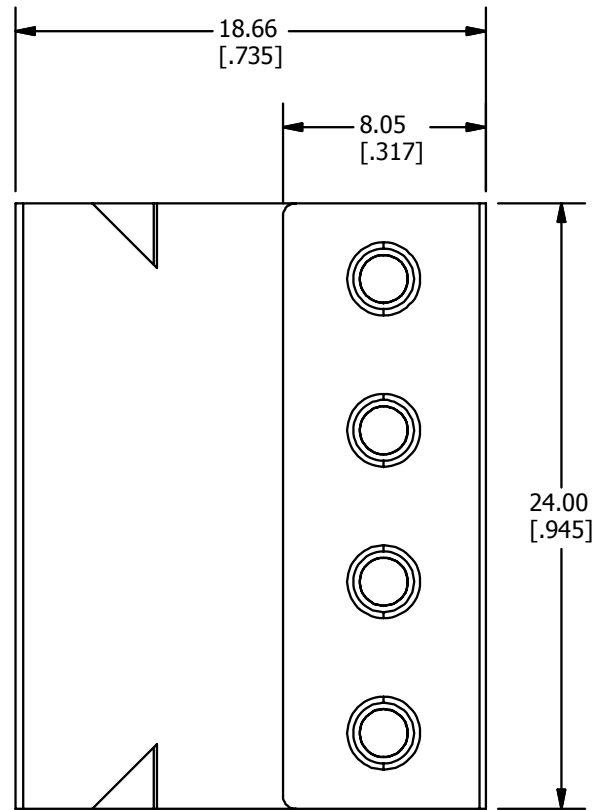
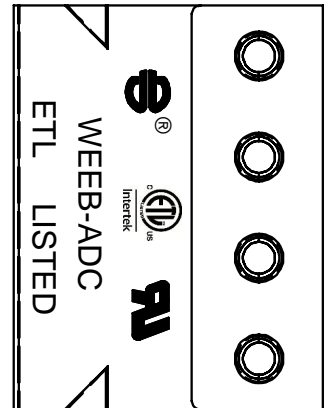


| REV | DATE | DESCRIPTION | ECO | BY | C'H'K. |
|-----|------------|------------------------------------|-------|----|--------|
| B | 07/26/2013 | UPDATED UR LOGO FOR CAT.# WEEB-ADC | 32636 | KR | OT |



PART IDENTIFICATION MARK ON THIS SIDE

3D VIEW

NOTES:

1. MATERIAL: 304 STAINLESS STEEL
2. DIMENSIONS IN BRACKETS [] ARE IN INCHES ROUNDED OFF TO THE NEAREST TENTH, UNLESS OTHERWISE SPECIFIED AND ARE FOR REFERENCE ONLY.

| | | | |
|---|------------|--|-----------|
| TO ORDER BURNDY PRODUCTS CALL UNITED STATES 1-800-346-4175 (LONDONDERRY, NH) CANADA: 1-800-361-6975 (QUEBEC) 1-800-387-6487 (ALL OTHER PROVINCES) FOR PRODUCT INFO: http://www.burndy.com | | EQUIPMENT BOND | |
| | | ITEM NO: 50017562 CAT. NO: WEEB-ADC | |
| DRAWN BY: M KOVILRAJ 7/30/2013 CHECKER: T OLENICK 7/31/2013 DSN APRVL: T OLENICK 7/31/2013 MFG APRVL: -- QA APRVL: C KOWALCZYK 8/1/2013 MKT APRVL: S PARSONS 7/31/2013 | | | |
| PROD FAM: PROJECT #: DOCUMENT TYPE: Sales REL LEVEL: Released | SIZE: B | DRAWING NO: 50021828 | REV: B |
| | | SHEET 1 OF 1 | |