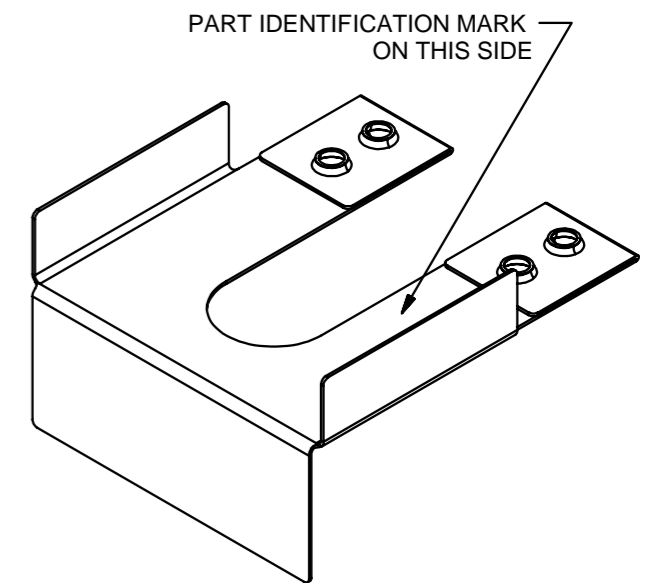
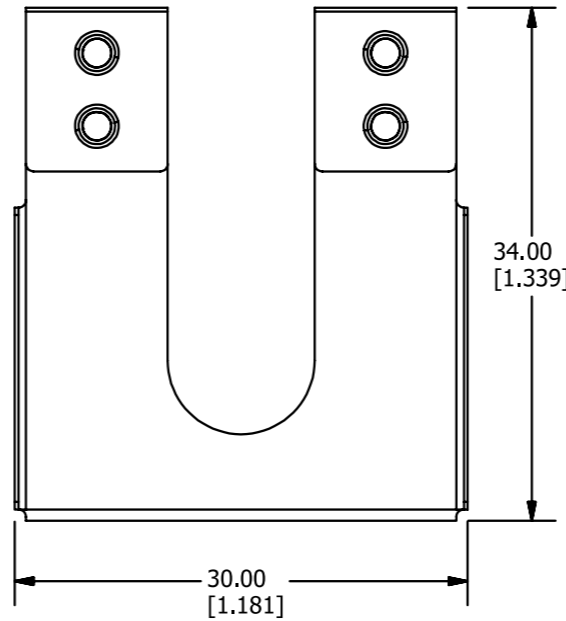
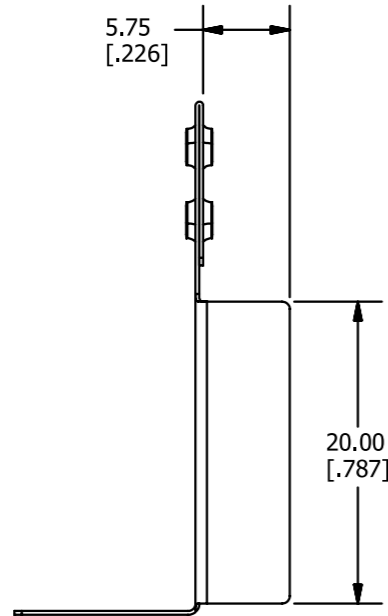
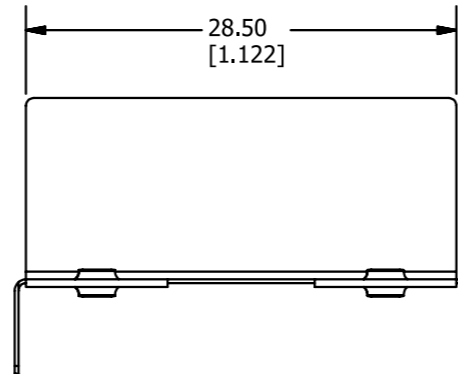
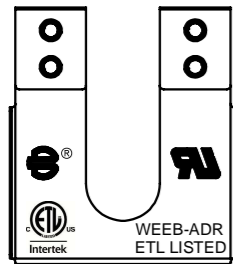


REV	DATE	DESCRIPTION	ECO	BY	C'H'K.
A	03/21/2013	CREATE SALES DRAWING FOR CAT.# WEEB-ADR	30989	TM	OT



3D VIEW

NOTES:

1. MATERIAL: 304 STAINLESS STEEL
2. DIMENSIONS IN BRACKETS [] ARE IN INCHES ROUNDED OFF TO THE NEAREST TENTH, UNLESS OTHERWISE SPECIFIED AND ARE FOR REFERENCE ONLY.

TO ORDER BURNDY PRODUCTS CALL		EQUIPMENT BOND	
UNITED STATES		ITEM NO: 50017651	
1-800-346-4175 (LONDONDERRY, NH)		CAT. NO: WEEB-ADR	
CANADA:		DRAWN BY: M THAMARAI 3/27/2013	
1-800-361-6975 (QUEBEC)		CHECKER: T OLENICK 4/4/2013	
1-800-387-6487 (ALL OTHER PROVINCES)		DSN APRVL: P KOVALOV 4/4/2013	
FOR PRODUCT INFO: http://www.burndy.com		MFG APRVL: L TROMBLEY 4/4/2013	
		QA APRVL: C KOWALCZYK 4/4/2013	
		MKT APRVL: S PARSONS 4/4/2013	
PROD FAM:	SIZE	DRAWING NO	REV
PROJECT #:	B	50021829	A
DOCUMENT TYPE: Sales		SHEET 1 OF 1	
REL LEVEL: Released			