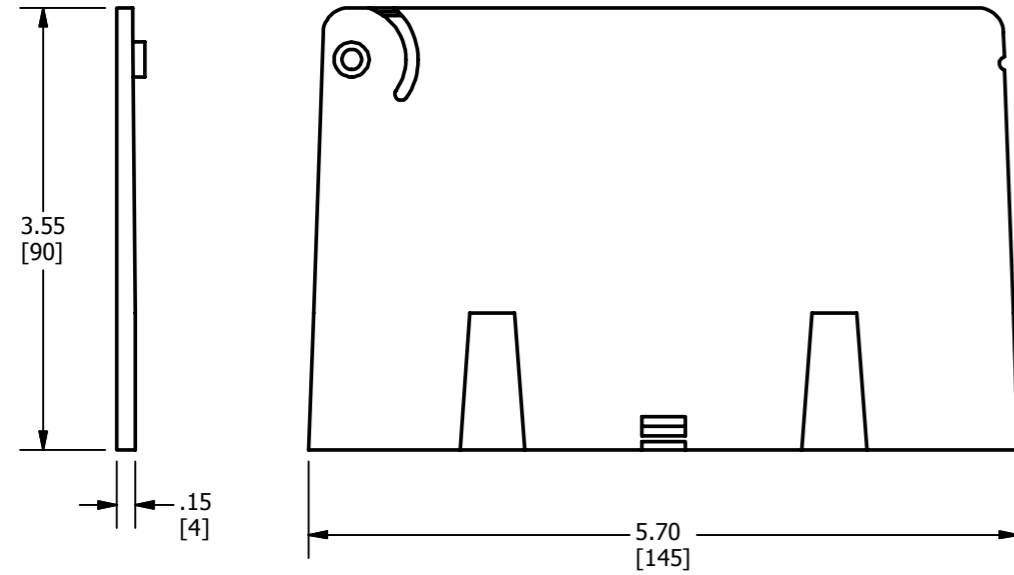
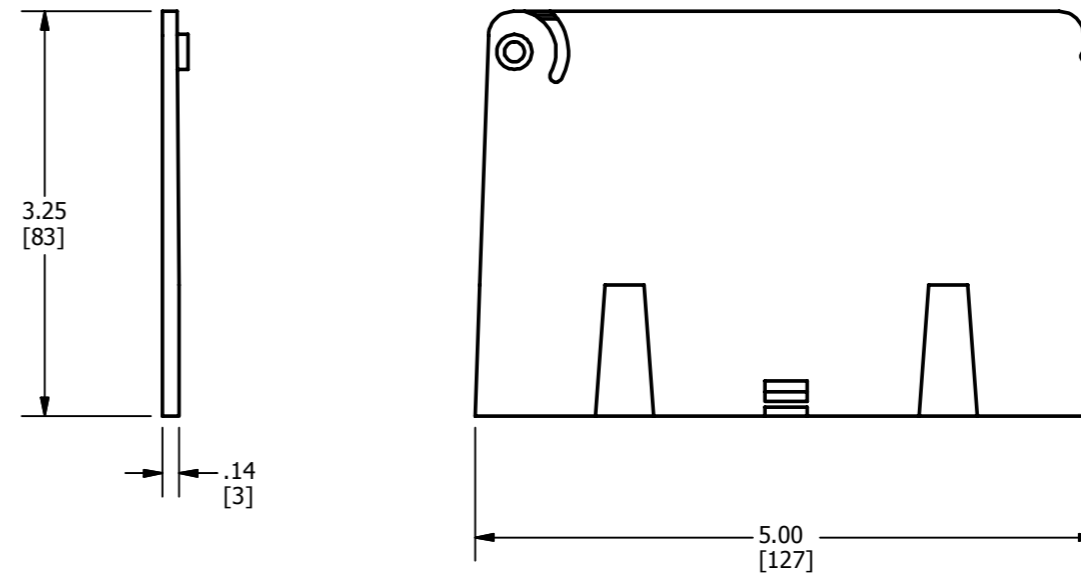


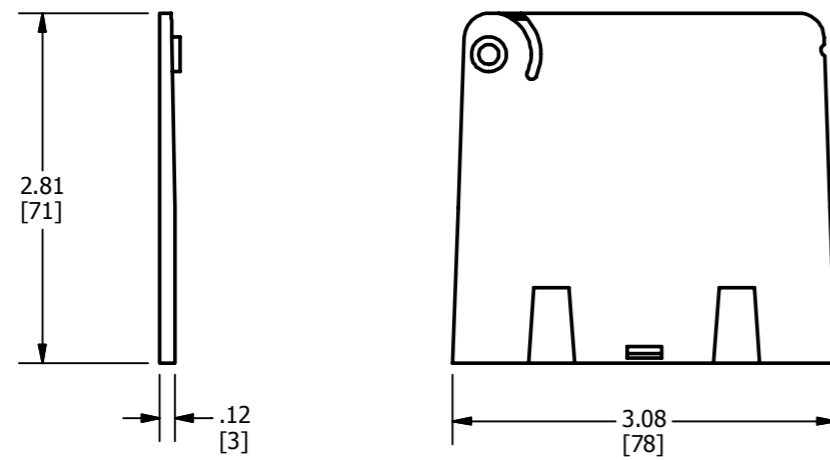
REV	DATE	DESCRIPTION	ECO	BY	CHK.
A	03/22/2013	SALES DRAWING CREATED	30446	PB	VK



CAT NO. BDALHCEB



CAT NO. BDAMHCEB



CAT NO. BDASHCEB

**NOTES:**

1. DIMENSIONS IN BRACKETS [ ] ARE IN MILLIMETERS ROUNDED OFF TO THE NEAREST MILLIMETER, UNLESS OTHERWISE SPECIFIED AND ARE FOR REFERENCE ONLY.

TO ORDER BURNDY PRODUCTS CALL		END BARRIER	
UNITED STATES		ITEM NO: N/A	
1-800-346-4175 (LONDONDERRY, NH)		CAT. NO: --	
CANADA:		DRAWN BY: PARTHIBAN B 3/21/2013	
1-800-361-6975 (QUEBEC)		CHECKER: T REYNOLDS 4/11/2013	
1-800-387-6487 (ALL OTHER PROVINCES)		DSN APRVL: T REYNOLDS 4/11/2013	
FOR PRODUCT INFO: <a href="http://www.burndy.com">http://www.burndy.com</a>		MFG APRVL: --	
		QA APRVL: C KOWALCZYK 4/12/2013	
		MKT APRVL: P KEENAN 4/16/2013	
		PROJ #: --	
		PROJ #: --	
		DRAWING NO	
		50021845	
		REV	
		A	
		SHEET 1 OF 1	