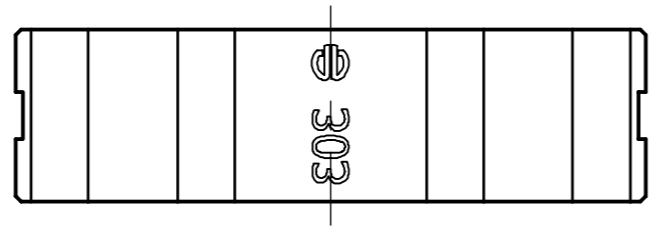
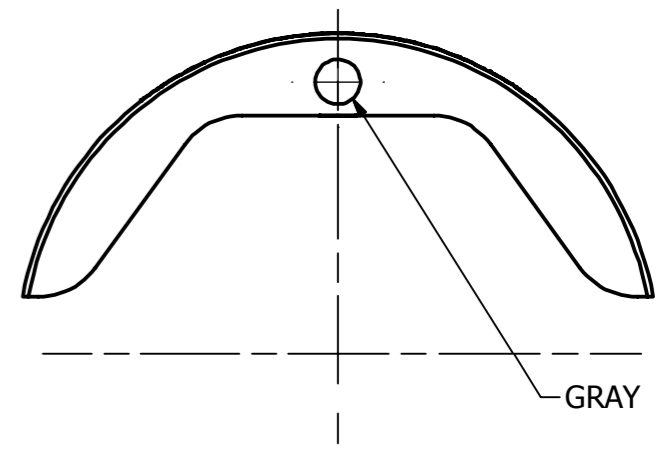
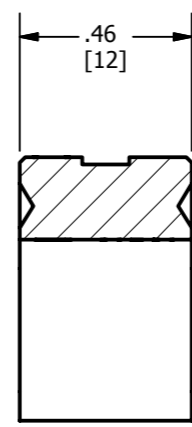
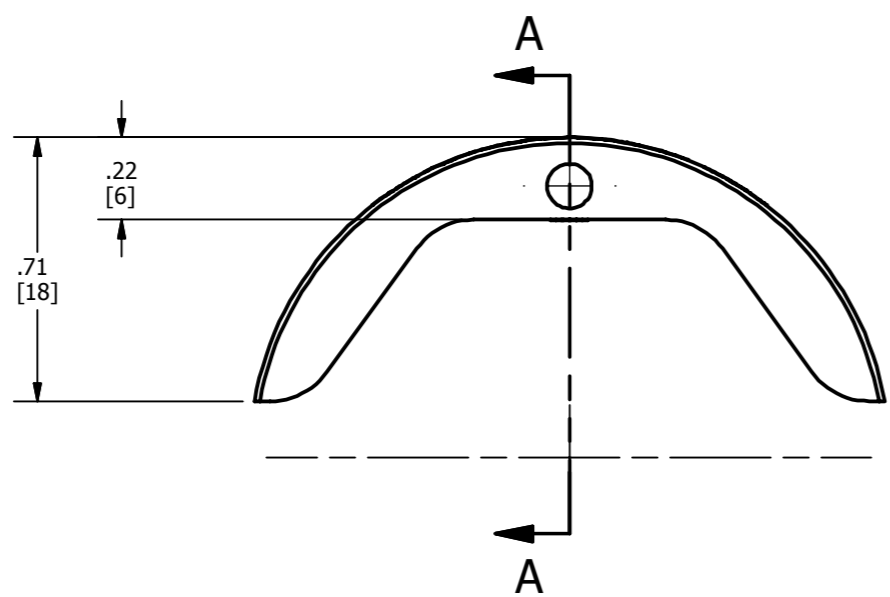


REV	DATE	DESCRIPTION	ECO	BY	CHK.
A	04/08/2013	CREATED SALES DRAWING FOR U42ART DIE	31093	VK	PB

U42ART
BURNDY INDEX 303



- NOTES:
1. DIMENSIONS IN BRACKETS [] ARE IN MILLIMETERS ROUNDED OFF TO THE NEAREST MILLIMETER, UNLESS OTHERWISE SPECIFIED AND ARE FOR REFERENCE ONLY.
 2. MATERIAL : STAINLESS STEEL.
 3. DIE INSPECTION GAGE CATALOG NUMBER (CUSTOMER & ENGINEERING USE ONLY) : UPG - 303.

TO ORDER BURNDY® PRODUCTS CALL		HEXAGONAL NON-BUTTING TWIN DIE													
UNITED STATES 1-800-346-4175 (LONDONDERRY, NH)		ITEM NO: 50022620													
CANADA: 1-800-361-6975 (QUEBEC) 1-800-387-6487 (ALL OTHER PROVINCES)		CAT. NO: U42ART													
FOR PRODUCT INFO: http://www.burndy.com		<table border="1"> <tr> <td>DRAWN BY: V KAMAL</td> <td>04/08/13</td> </tr> <tr> <td>CHECKER: R ROMAN</td> <td>04/19/13</td> </tr> <tr> <td>DSN APRVL: R ROMAN</td> <td>04/19/13</td> </tr> <tr> <td>MFG APRVL: S HOPPS</td> <td>04/30/13</td> </tr> <tr> <td>QA APRVL: C ACKERMAN</td> <td>04/26/13</td> </tr> <tr> <td>MKT APRVL: J SYLVIA</td> <td>04/19/13</td> </tr> </table>		DRAWN BY: V KAMAL	04/08/13	CHECKER: R ROMAN	04/19/13	DSN APRVL: R ROMAN	04/19/13	MFG APRVL: S HOPPS	04/30/13	QA APRVL: C ACKERMAN	04/26/13	MKT APRVL: J SYLVIA	04/19/13
DRAWN BY: V KAMAL	04/08/13														
CHECKER: R ROMAN	04/19/13														
DSN APRVL: R ROMAN	04/19/13														
MFG APRVL: S HOPPS	04/30/13														
QA APRVL: C ACKERMAN	04/26/13														
MKT APRVL: J SYLVIA	04/19/13														
PROJ #: --		DRAWING NO: 50022622													
DOCUMENT TYPE: SALES		REV: A													
REL LEVEL: Released		SHEET 1 OF 1													