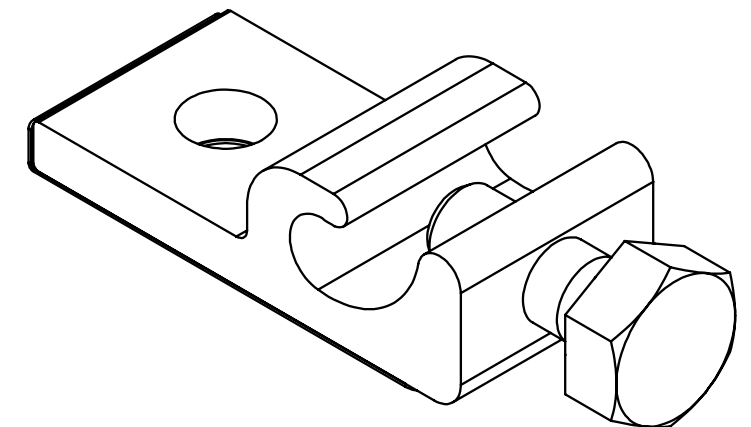
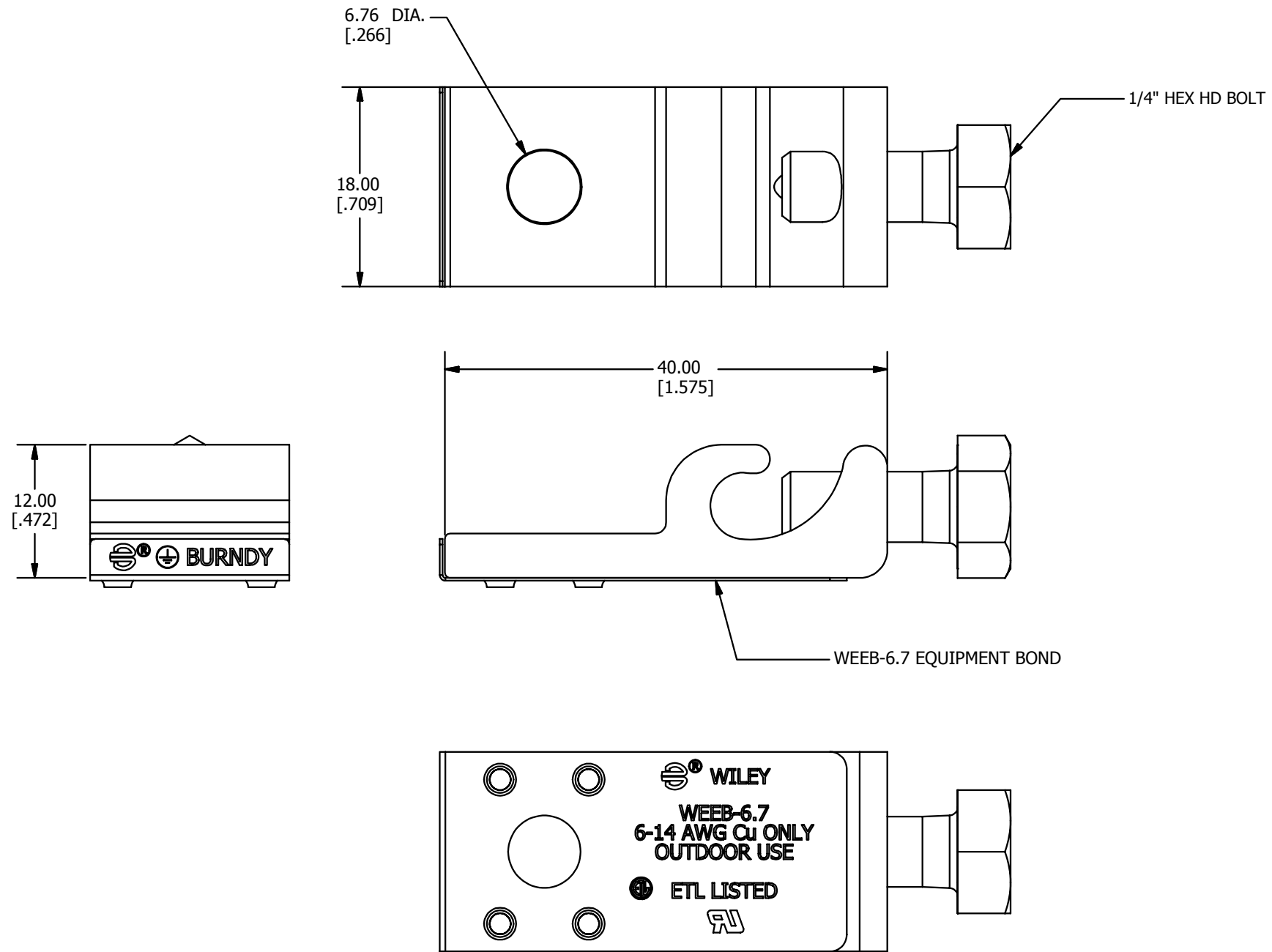


REV	DATE	DESCRIPTION	ECO	BY	CHK.
B	7/8/2015	ADDED BOTTOM VIEW	40896	GN	EM



3D VIEW

NOTES:

1. MATERIAL : TIN PLATED COPPER (BODY).
2. ACCOMMODATES: 6-14 AWG SOLID OR STRANDED COPPER.
3. DIMENSIONS IN BRACKETS [] ARE IN INCHES ROUNDED OFF TO THE NEAREST TENTH, UNLESS OTHERWISE SPECIFIED AND ARE FOR REFERENCE ONLY.
4. SEALED AND LABELED CARTON WITH 100 WEEB-LUG-6.7 ASSEMBLED WITH TERMINAL SCREW, BOXES OF 100 STAINLESS STEEL 1/4-20 BOLTS, FLAT WASHERS, SPLIT-LOCK WASHERS, AND HEX NUTS. WILL ALSO INCLUDE 100 WEEB-6.7 IN POLYBAGS SHIPPED AS A PACKAGE.
5. LISTED TO UL2703 GROUND LUGS FOR USE WITH PV MODULES STANDARD.
LISTED TO UL467 GROUNDING AND BONDING EQUIPMENT STANDARDS.

TO ORDER BURNDY PRODUCTS CALL UNITED STATES 1-800-346-4175 (LONDONDERRY, NH) CANADA: 1-800-361-6975 (QUEBEC) 1-800-387-6487 (ALL OTHER PROVINCES) FOR PRODUCT INFO: http://www.burndy.com	GROUNDING LUG		
	ITEM NO: 30020109		
	CAT. NO: WEEB-LUG-6.7		
	DRAWN BY: GNATHR	07/8/2015	BURNDY
	CHECKER: E MARTIN	07/8/2015	
DSN APRVL: E MARTIN	07/8/2015		
MFG APRVL:			
QA APRVL: C KOWALCZYK	07/10/2015		
MKT APRVL: S PARSONS	07/10/2015		
PROD FAM:	DRAWING NO	REV	
PROJECT #:	SIZE	50022777	B
DOCUMENT TYPE: SALES	B	SHEET 1 OF 1	
REL LEVEL: Released			