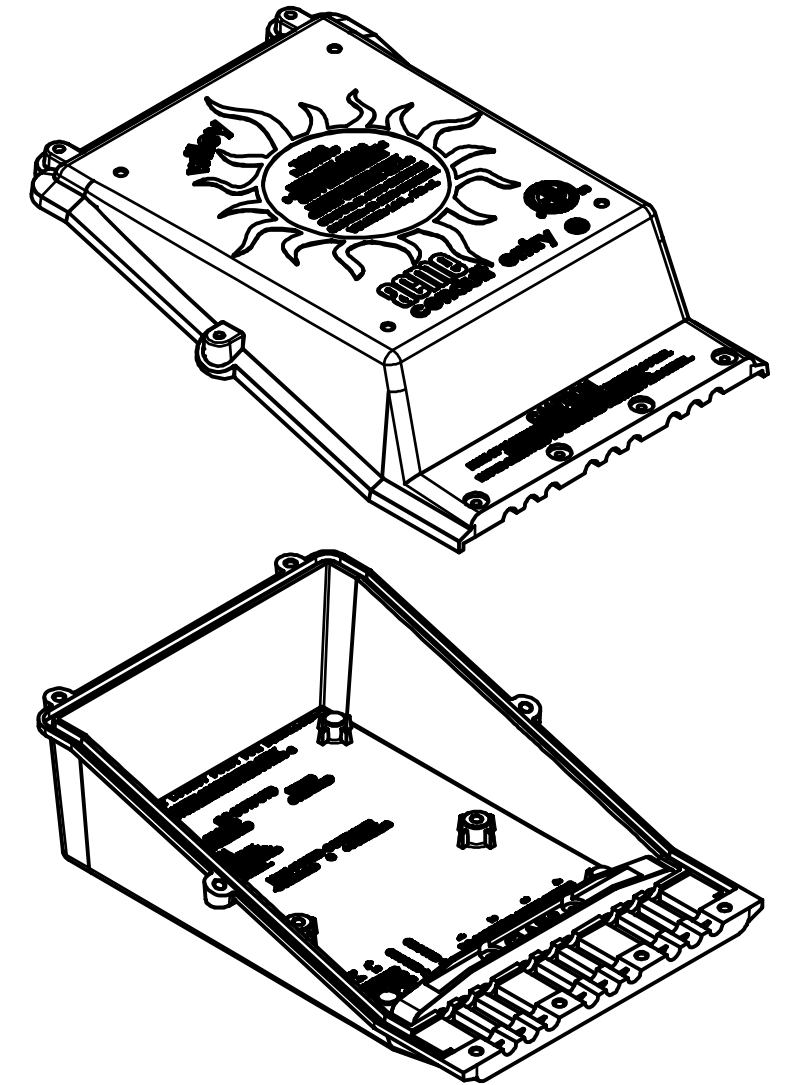
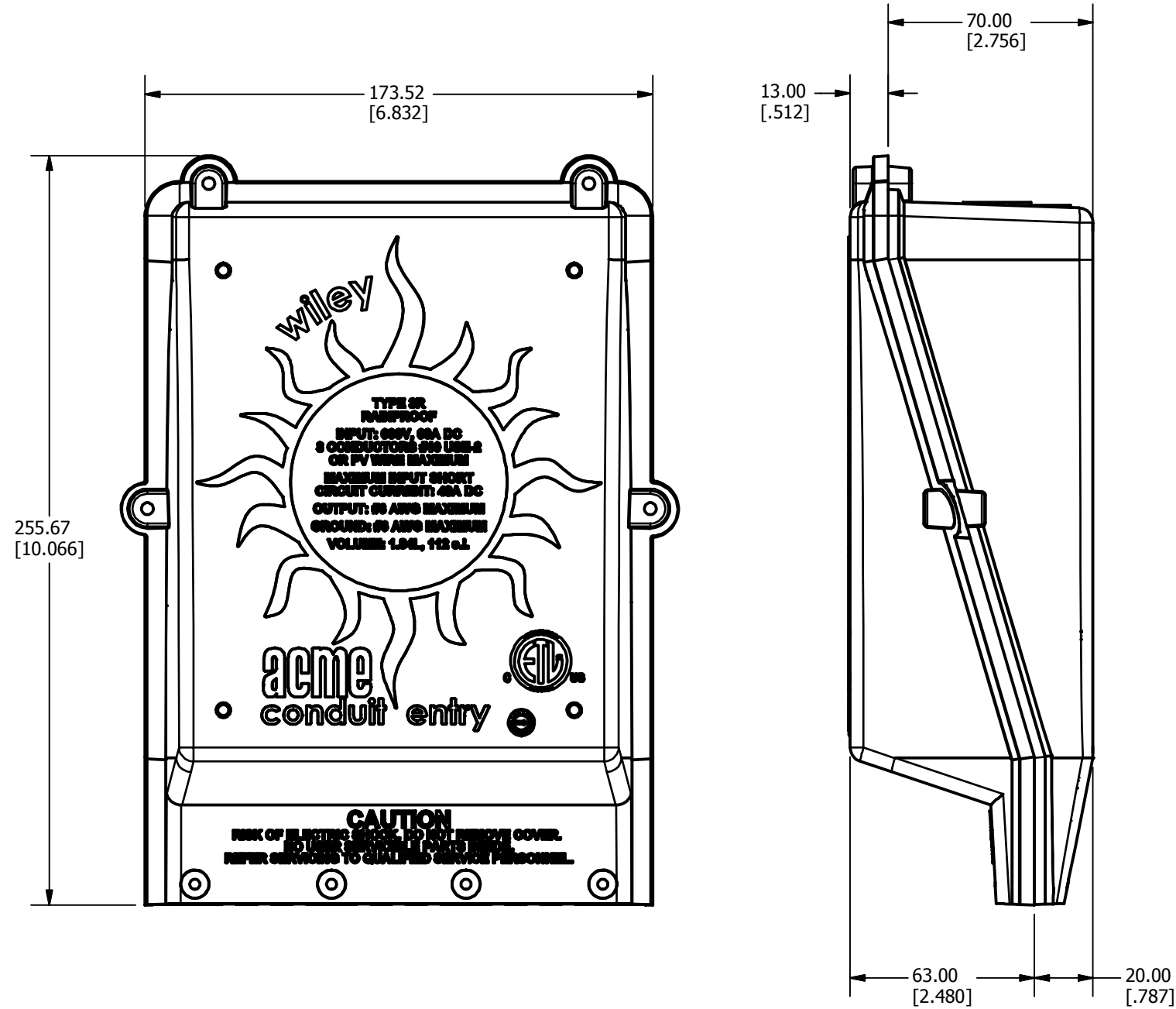


REV	DATE	DESCRIPTION	ECO	BY	C'H.K.
A	07/11/2014	NEW SALES DRAWING CREATED FOR CAT. # ACE-PT	31224	TM	SD



NOTES:

- THIS DRAWING TO BE INTERPRETED PER ASME Y14.5M-2009.
- DIMENSIONS IN BRACKETS [] ARE IN INCHES ROUNDED OFF TO THE NEAREST TENTH, UNLESS OTHERWISE SPECIFIED AND ARE FOR REFERENCE ONLY.

TO ORDER BURNDY PRODUCTS CALL		ACE BOX STAGE ASSEMBLY	
UNITED STATES		ITEM NO: 30020123	
1-800-346-4175 (LONDONDERRY, NH)		CAT. NO: ACE-PT	
CANADA:		DRAWN BY: M THAMARAI 7/11/2014	
1-800-361-6975 (QUEBEC)		CHECKER: T OLENICK 7/18/2014	
1-800-387-6487 (ALL OTHER PROVINCES)		DSN APRVL: D SHEA 7/17/2014	
FOR PRODUCT INFO: http://www.burndy.com		MFG APRVL: [blank]	
		QA APRVL: C KOWALCZYK 7/16/2014	
		MKT APRVL: S PARSONS 7/17/2014	
PROD FAM: WILEY	DRAWING NO	REV	
PROJECT #:	50022779	A	
DOCUMENT TYPE: SALES	SIZE		
REL LEVEL: Released	B		
		SHEET 1 OF 1	