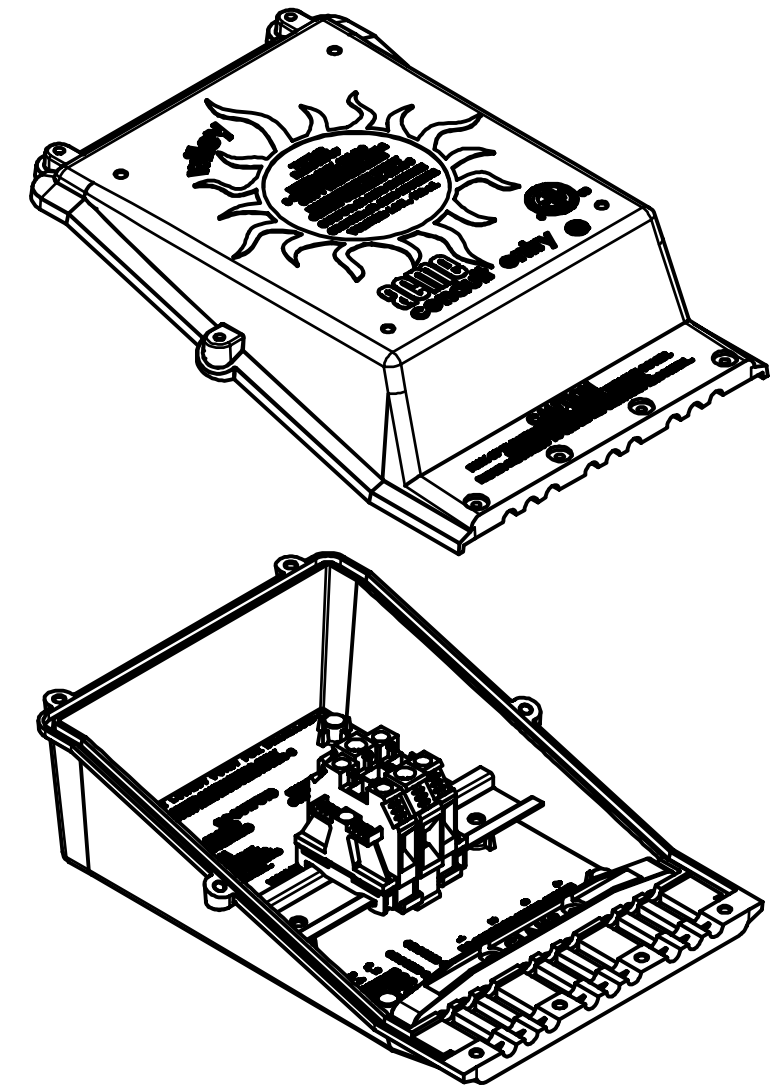
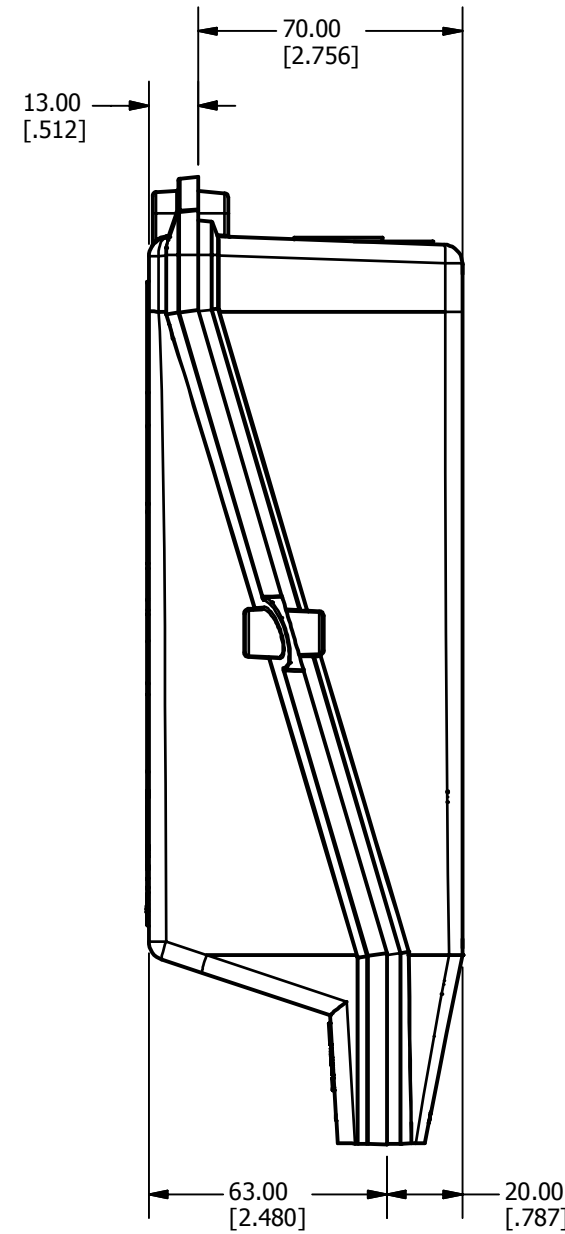
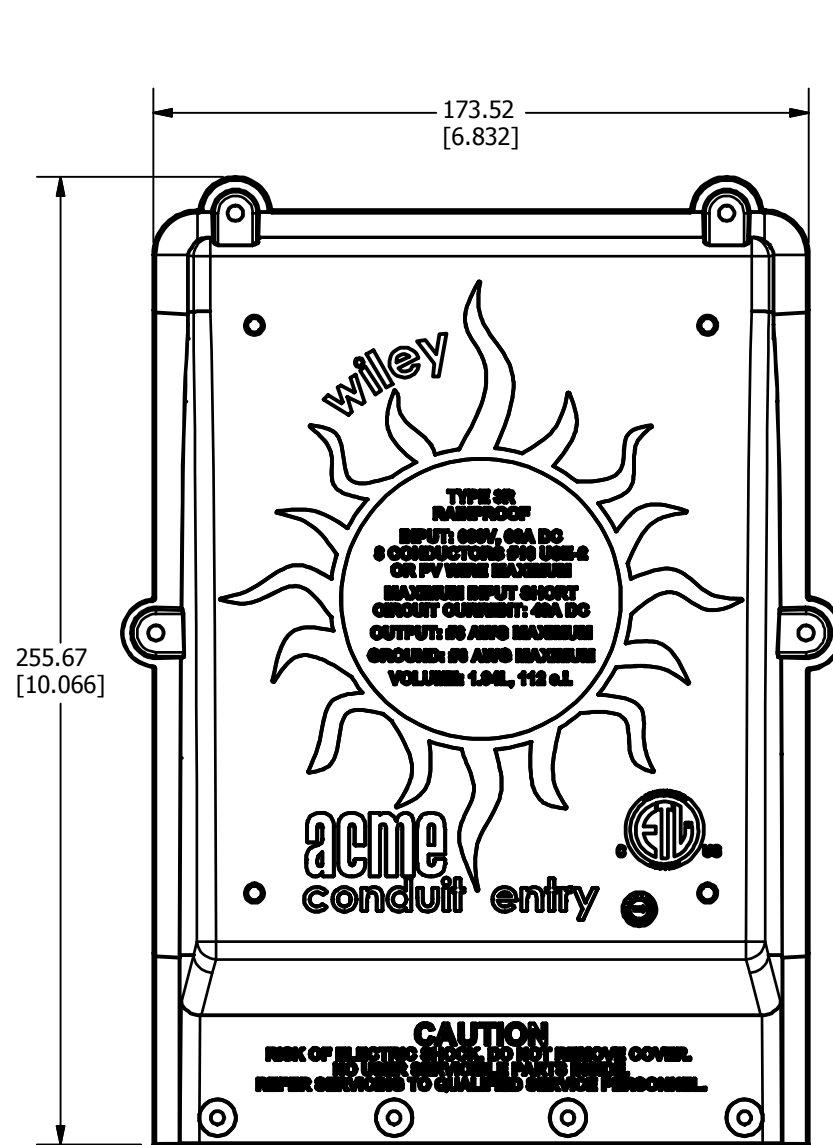


REV	DATE	DESCRIPTION	ECO	BY	C'H.K.
A	07/11/2014	NEW SALES DRAWING CREATED FOR CAT. # ACE-1P	31224	TM	SD



3D EXPLODED VIEW

NOTES:

- THIS DRAWING TO BE INTERPRETED PER ASME Y14.5M-2009.
- DIMENSIONS IN BRACKETS [ ] ARE IN INCHES ROUNDED OFF TO THE NEAREST TENTH, UNLESS OTHERWISE SPECIFIED AND ARE FOR REFERENCE ONLY.

TO ORDER BURNDY PRODUCTS CALL		ACE 1-STR PASS THRU BOX	
UNITED STATES 1-800-346-4175 (LONDONDERRY, NH)		ITEM NO: 30020124	
CANADA: 1-800-361-6975 (QUEBEC) 1-800-387-6487 (ALL OTHER PROVINCES)		CAT. NO: ACE-1P	
FOR PRODUCT INFO: <a href="http://www.burndy.com">http://www.burndy.com</a>		DRAWN BY: M THAMARAI 7/11/2014	
		CHECKER: T OLENICK 7/18/2014	
		DSN APRVL: D SHEA 7/17/2014	
		MFG APRVL: --	
		QA APRVL: C KOWALCZYK 7/16/2014	
		MKT APRVL: S PARSONS 7/17/2014	
		PROD FAM: WILEY	
		DRAWING NO	
		50022780	
		REV	
		A	
		SHEET 1 OF 1	