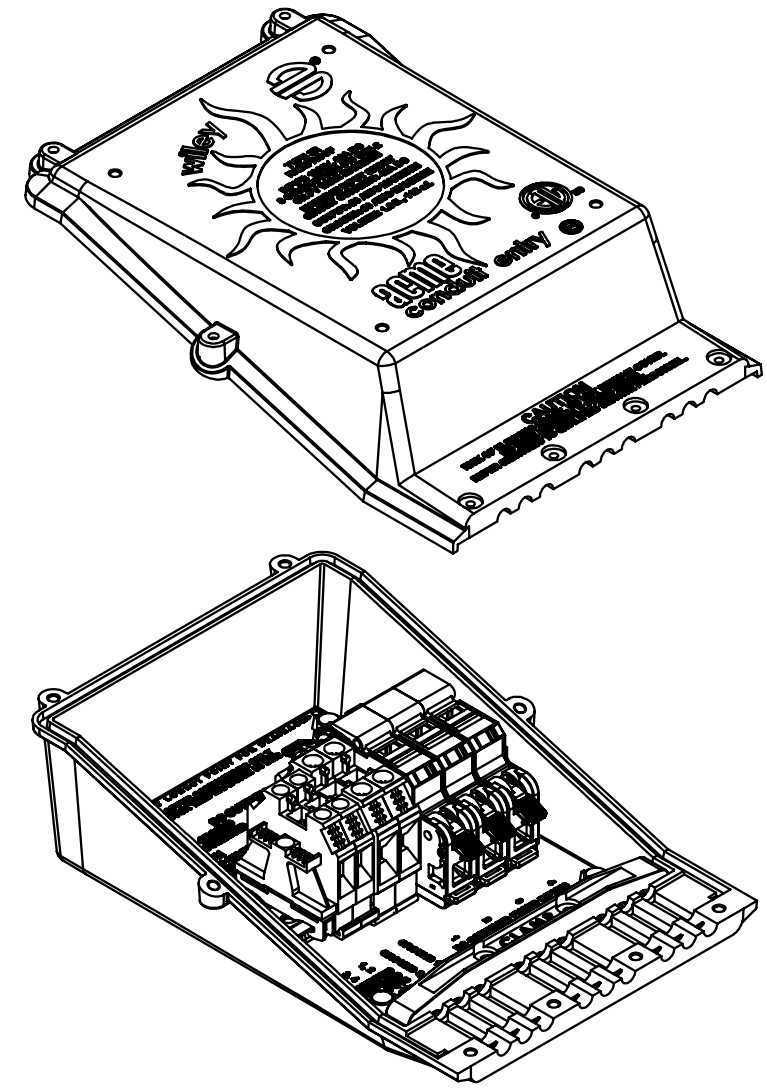
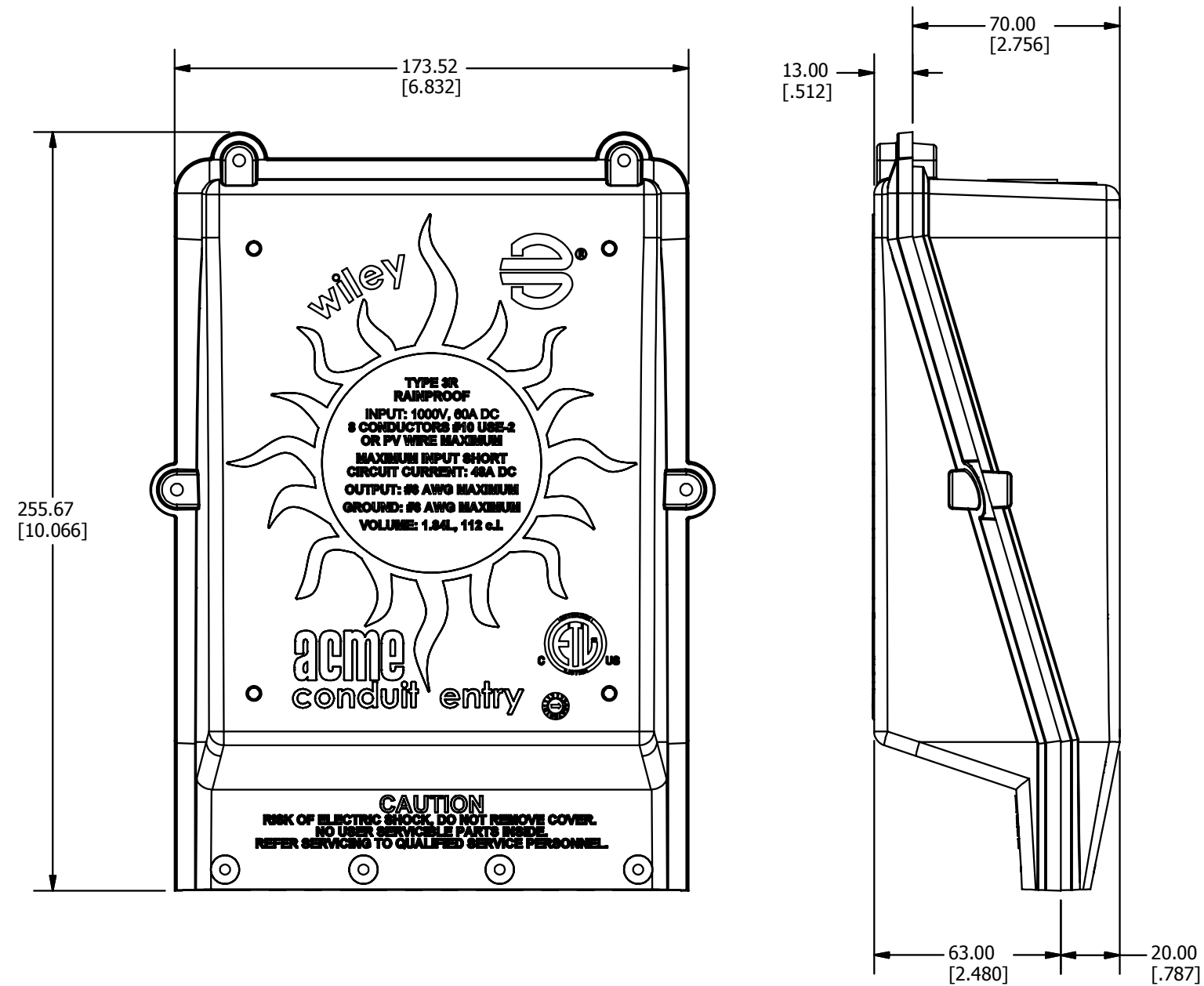


REV	DATE	DESCRIPTION	ECO	BY	C'H'K.
B	12/16/2015	UPDATE ACE BOX 3C WITH NEW FUSE HOLDER AND COMBINE BUS BAR	42484	GN	EM



**3D EXPLODED VIEW**

- NOTES:
- THIS DRAWING TO BE INTERPRETED PER ASME Y14.5M-2009.
  - DIMENSIONS IN BRACKETS [ ] ARE IN INCHES ROUNDED OFF TO THE NEAREST TENTH, UNLESS OTHERWISE SPECIFIED AND ARE FOR REFERENCE ONLY.

TO ORDER BURNDY PRODUCTS CALL		ACE 3-STR COMBINER BOX	
UNITED STATES		ITEM NO: 30020129	
1-800-346-4175 (LONDONDERRY, NH)		CAT. NO: ACE-3C	
CANADA:		DRAWN BY: GNATHR 12/17/2015	
1-800-361-6975 (QUEBEC)		CHECKER: E MARTIN 12/21/2015	
1-800-387-6487 (ALL OTHER PROVINCES)		DSN APRVL: E MARTIN 12/21/2015	
FOR PRODUCT INFO: <a href="http://www.burndy.com">http://www.burndy.com</a>		MFG APRVL: M STEVENS 12/22/2015	
		QA APRVL: C KOWALCZYK 07/16/2014	
		MKT APRVL: S PARSONS 12/21/2015	
PROD FAM: WILEY	DRAWING NO	REV	
PROJECT #:	SIZE	50022785	B
DOCUMENT TYPE: SALES	B	SHEET 1 OF 1	
REL LEVEL: Released			