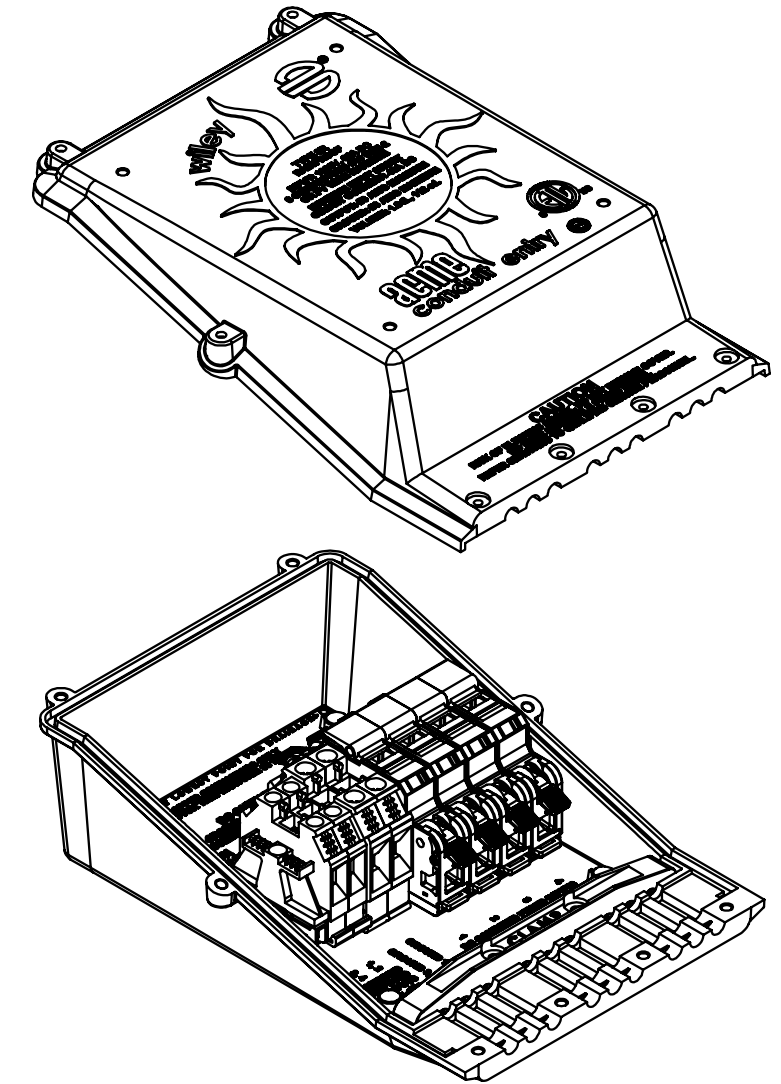
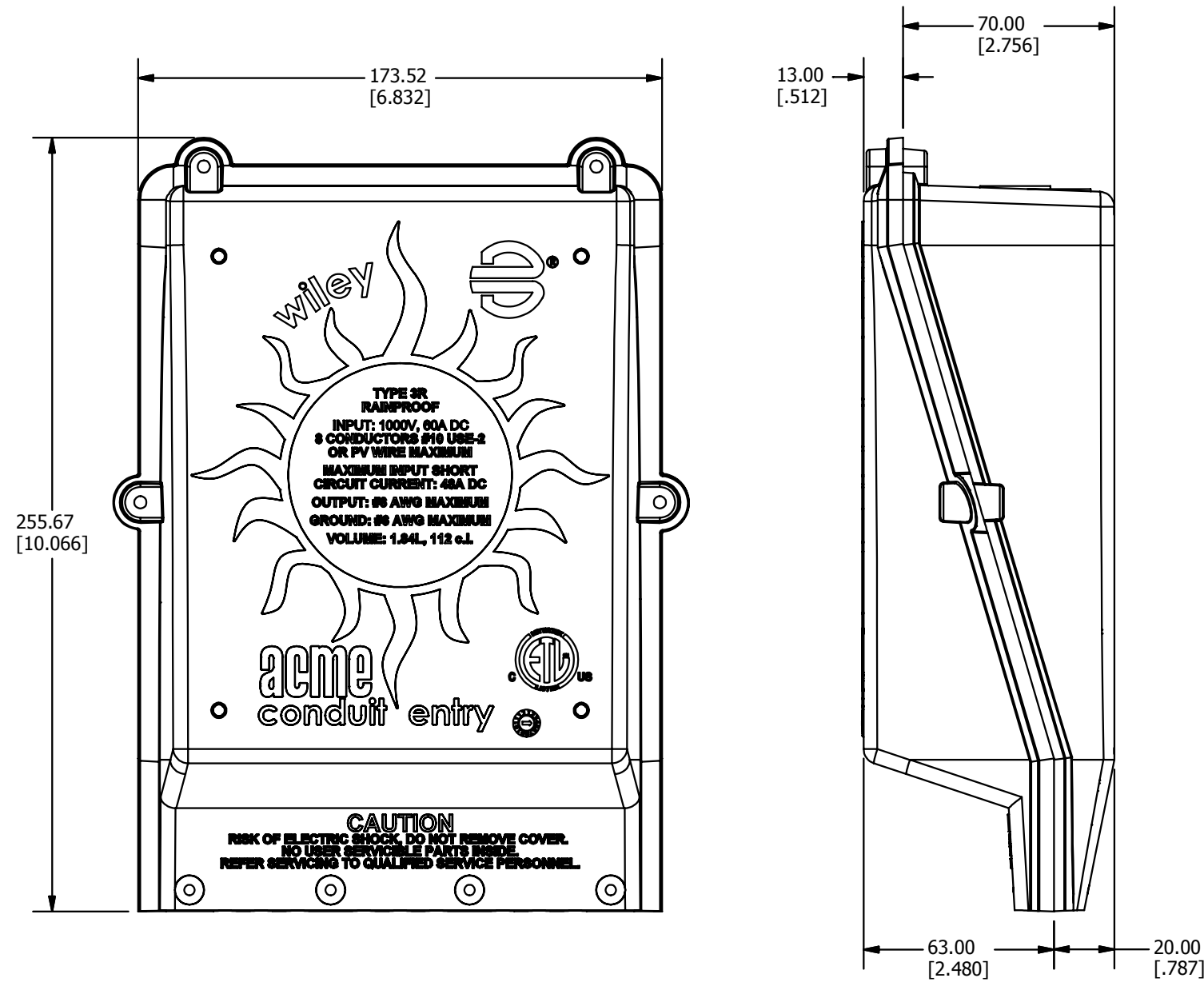


REV	DATE	DESCRIPTION	ECO	BY	C'H'K.
B	01/05/2016	ACE BOX UPDATED WITH NEW FUSE HOLDER, COMBINE BUS BAR AND LABELS ON THE BOX UPDATED	42483	GN	DS



3D EXPLODED VIEW

NOTES:

1. THIS DRAWING TO BE INTERPRETED PER ASME Y14.5M-2009.
2. DIMENSIONS IN BRACKETS [ ] ARE IN INCHES ROUNDED OFF TO THE NEAREST TENTH, UNLESS OTHERWISE SPECIFIED AND ARE FOR REFERENCE ONLY.

TO ORDER BURNDY PRODUCTS CALL		ACE 4-STR COMBINER BOX	
UNITED STATES		ITEM NO: 30020131	
1-800-346-4175 (LONDONDERRY, NH)		CAT. NO: ACE-4C	
CANADA:		DRAWN BY: GNATHTR 1/5/2016	
1-800-361-6975 (QUEBEC)		CHECKER: D SHEA 1/9/2016	
1-800-387-6487 (ALL OTHER PROVINCES)		DSN APRVL: E MARTIN 1/12/2016	
FOR PRODUCT INFO: <a href="http://www.burndy.com">http://www.burndy.com</a>		MFG APRVL: M STEVENS 1/14/2016	
		QA APRVL: C KOWALCZYK 1/15/2016	
		MKT APRVL: S PARSONS 1/12/2016	
PROD FAM: WILEY		DRAWING NO	
PROJECT #:		50022786	
DOCUMENT TYPE: SALES		REV	
REL LEVEL: Released		B	
		SHEET 1 OF 1	