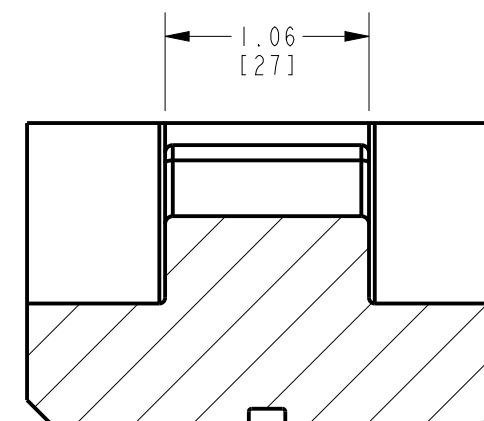
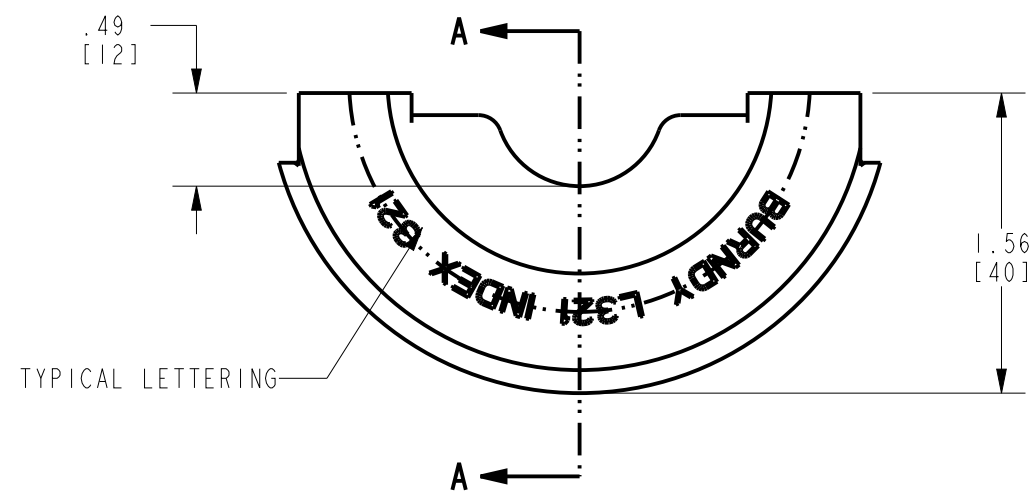
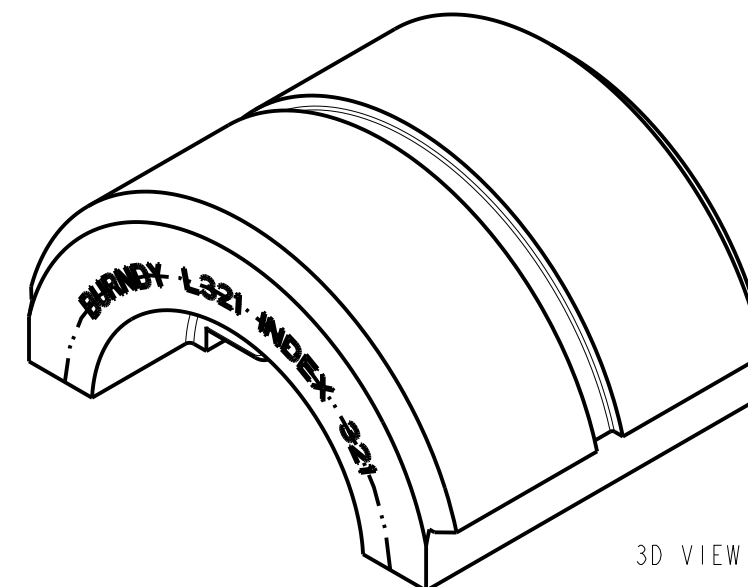
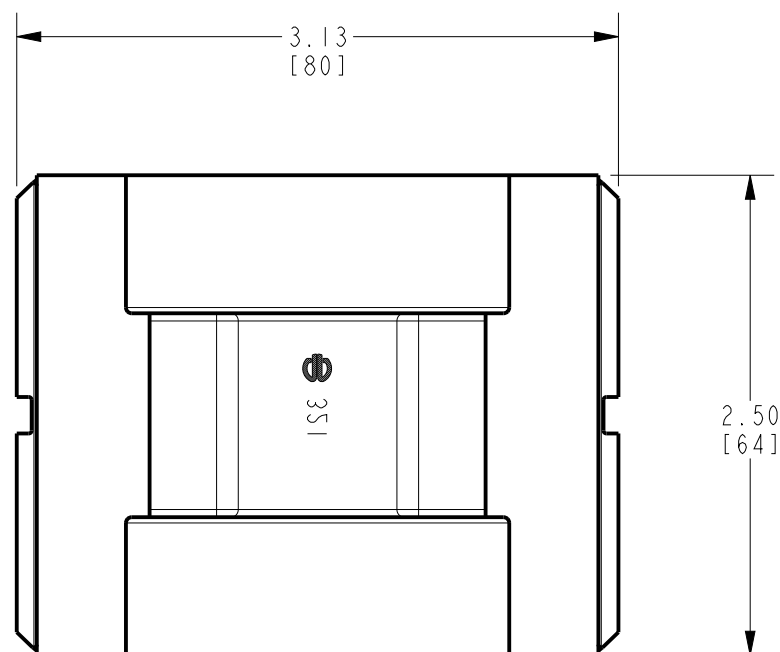


CATALOG NUMBER	DIE INDEX
L243	243
L247	247
L321	321

REV.	DATE	DESCRIPTION	ECO	BY	C'H'K.
A	12/19/2012	NEW SALES DRAWING CREATION	29685	PS	MB



SECTION A-A

NOTES:

1. MATERIAL: STAINLESS STEEL.
2. DIMENSIONS IN BRACKETS [] ARE IN MILLIMETERS ROUNDED OFF TO THE NEAREST MILLIMETER, UNLESS OTHERWISE SPECIFIED AND ARE FOR REFERENCE ONLY.

TO ORDER BURNDY® PRODUCTS CALL

UNITED STATES:
1-800-346-4175 (LONDONDERRY, NH)

CANADA:
1-800-361-6975 (QUEBEC)
1-800-387-6487 (ALL OTHER PROVINCES)

FOR PRODUCT INFO: <http://www.burndy.com>

CIRCULAR TWIN DIE

ITEM NO: SEE TABLE	SCALE: 1:1
CAT. NO: L--- (SEE TABLE)	DRAWING NO
DRAWN BY: S.PRASANNA 12/19/2012	50022830
CHECKER: --	REV
DSN APPVL: --	A
MFG APPVL: --	
QA APPVL: JOE 05/21/2013	
MKT APPVL: DANIEL 05/16/2013	
PROD FAM: --	
PROJECT #: --	
DOCUMENT TYPE: SALES	
REL LEVEL: Released	



REV: PE0200