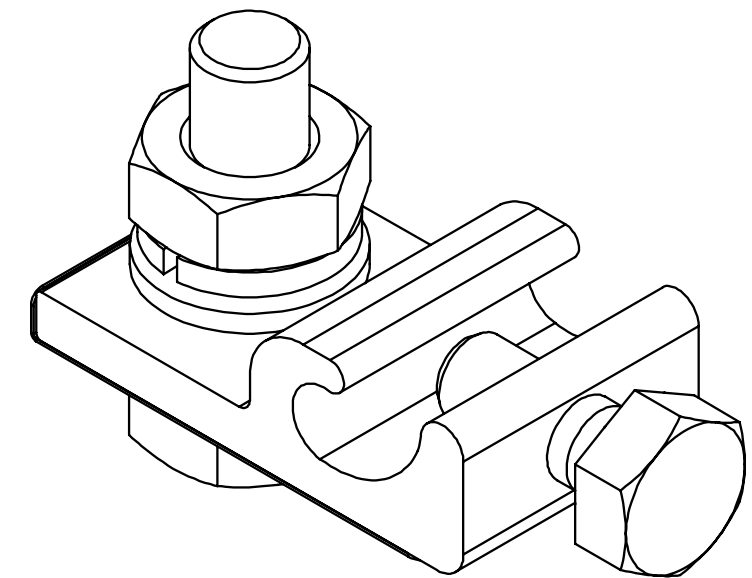
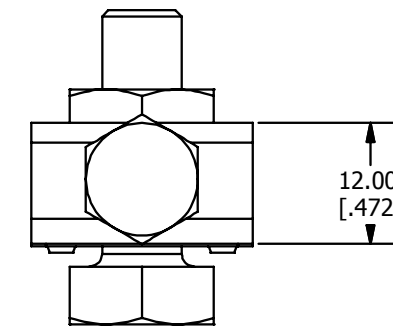
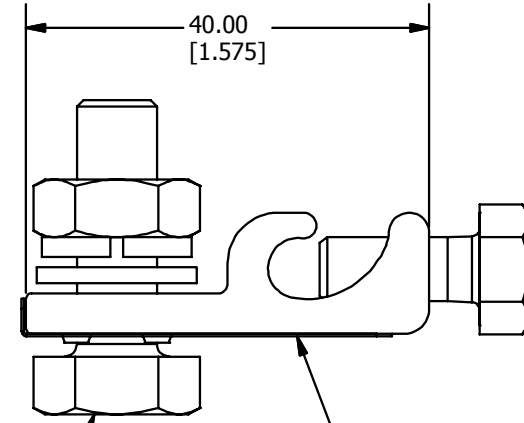
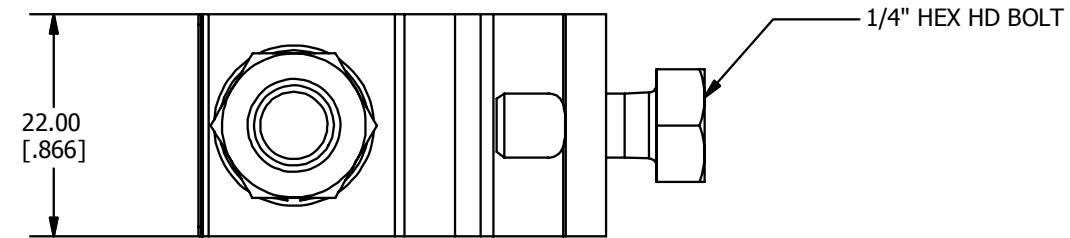


REV	DATE	DESCRIPTION	ECO	BY	C'H'K.
A	24/04/2013	CREATED NEW SALES DRAWING FOR CAT.# WEEB-LUG-8.0AS	31432	KR	OT



3D VIEW

5/16" HEX HD BOLT,
CIRCULAR WASHER, HELICAL SPRING WASHER &
HEX NUT

WEEB-8.0 EQUIPMENT BOND

NOTES:

1. MATERIAL : TIN PLATED COPPER (BODY).
2. ACCOMMODATES: 6-14 AWG.
3. DIMENSIONS IN BRACKETS [] ARE IN INCHES ROUNDED OFF TO THE NEAREST TENTH, UNLESS OTHERWISE SPECIFIED AND ARE FOR REFERENCE ONLY.
4. SEALED AND LABELED CARTON WITH 100 WEEB-LUG-8.0AS. ASSEMBLED AS SHOWN.

TO ORDER BURNDY PRODUCTS CALL		GROUNDING LUG	
UNITED STATES		ITEM NO: 50010335	
1-800-346-4175 (LONDONDERRY, NH)		CAT. NO: WEEB-LUG-8.0AS	
CANADA:		DRAWN BY: M KOVILRAJ 5/6/2013	
1-800-361-6975 (QUEBEC)		CHECKER: T OLENICK 5/20/2013	
1-800-387-6487 (ALL OTHER PROVINCES)		DSN APRVL: P KOVALOV 5/17/2013	
FOR PRODUCT INFO: http://www.burndy.com		MFG APRVL: L TROMBLEY 5/20/2013	
		QA APRVL: C KOWALCZYK 5/20/2013	
		MKT APRVL: S PARSONS 5/20/2013	
PROD FAM:	DRAWING NO	REV	
PROJECT #:	50023902	A	
DOCUMENT TYPE: SALES	SIZE		
REL LEVEL: Released	B		
		SHEET 1 OF 1	