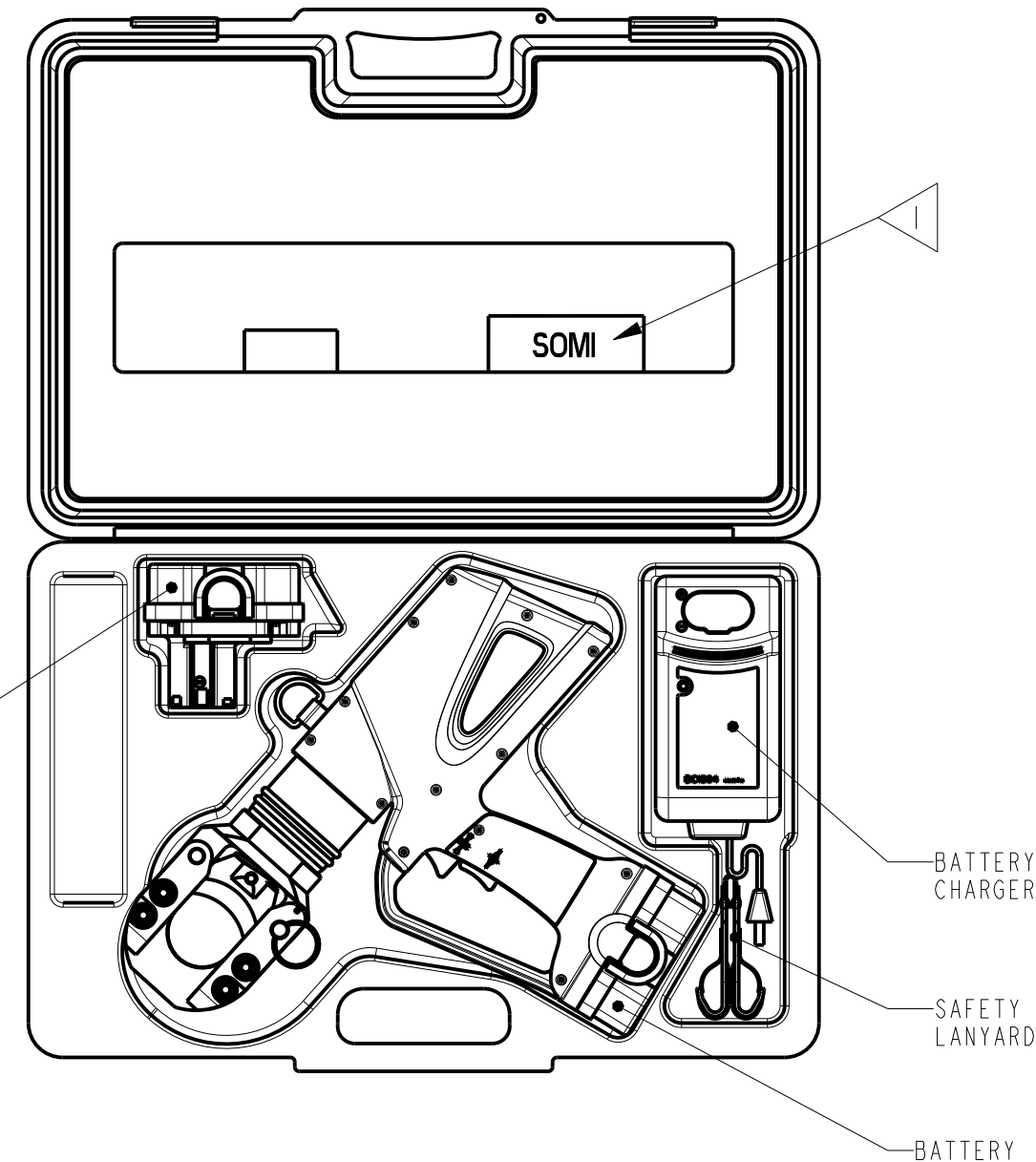
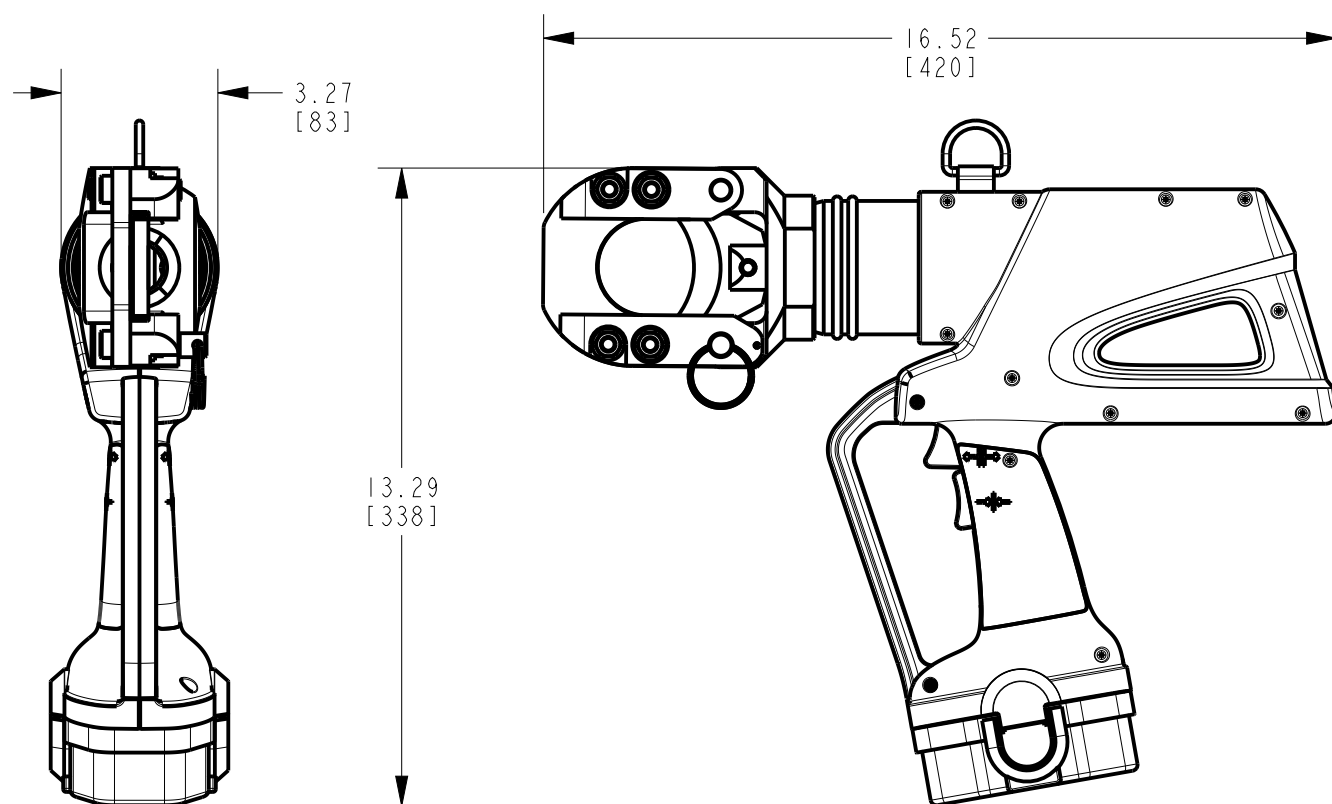


| CATALOG NUMBER | DESCRIPTION | CHARGER CATALOG NUMBER |
|--------------------|---|------------------------|
| PATCUT2156-18V | PATRIOT 2156-18V CUTTER WITH 120V CHARGER | PATCHGR18V |
| PATCUT2156-18VDC | PATRIOT 2156-18V CUTTER WITH 12V CHARGER | BCTDCCHGR |
| PATCUT2156-18V250V | PATRIOT 2156-18V CUTTER WITH 250V CHARGER | PATCHGR250V |

| REV. | DATE | DESCRIPTION | ECO | BY | C'H'K. |
|------|------------------------|--------------------------------------|-------|-----|--------|
| B | 09/05/2013 00:00:00 AM | UPDATE TOOL WEIGHT IN SPECIFICATIONS | 32900 | TRF | LB |

*** BILL OF MATERIAL ***

| PT NO. | CATALOG NO. | QTY | DESCRIPTION |
|--------|---------------|-----|-------------------------------|
| 1 | BAT18V | 2 | BATTERY, 18 VOLT 2.6AH |
| 2 | PT10059622 | 1 | CASE, TOOL PAT750XT-18V |
| 3 | PATCHGR18V | 1 | CHARGER, BATTERY PATRIOT LINE |
| 4 | PT208620 | 1 | LANYARD |
| 5 | PATCUT2156OMI | 1 | SOMI, PATCUT2156-18V |
| 6 | PT20443801 | 1 | FIVE YEAR WARRANTY CARD |



PATRIOT®

BATTERY ACTUATED TOOL - HYDRAULIC SELF CONTAINED

SPECIFICATIONS

TOOL WEIGHT: 16.3 LBS [7 kg]
 LENGTH: 16.52 INCHES [420 mm]
 WIDTH: 3.27 INCHES [83 mm]
 HEIGHT: 13.29 INCHES [338 mm]
 OPERATING VOLTAGE: 18V-DC
 RECHARGE TIME: < 45 MINUTES

| MATERIAL | MAX OD | |
|------------------|------------|---------|
| ACSR | 2156 KCMIL | |
| Cu & Al | 2.0" | (51 mm) |
| GROUND ROD | 3/4" | (19 mm) |
| REBAR | 5/8" | (16 mm) |
| SOFT STEEL BOLTS | 3/4" | (19 mm) |
| STD. GUY WIRE | 9/16" | (14 mm) |
| EHS GUY WIRE | 9/16" | (14 mm) |

1. READ AND FOLLOW ALL INSTRUCTIONS PROVIDED BY OPERATORS MANUAL, AND WARNING LABELS BEFORE USING THIS TOOL.

2. DIMENSIONS IN BRACKETS [] ARE IN MILLIMETERS ROUNDED OFF TO THE NEAREST MILLIMETER, UNLESS OTHERWISE NOTED AND ARE FOR REFERENCE ONLY.

TO ORDER BURNDY® PRODUCTS CALL
 UNITED STATES:
 1-800-346-4175 (LONDONDERRY, NH)

CANADA:
 1-800-361-6975 (QUEBEC)
 1-800-387-6487 (ALL OTHER PROVINCES)

FOR PRODUCT INFO: <http://www.burndy.com>

PATRIOT LATCH CUTTER Ni-Mh

| | |
|-----------------------------------|--------------|
| ITEM NO: SEE TABLE | |
| CAT. NO: SEE TABLE | |
| DRAWN BY: T. FAUCHER 04/29/2013 | |
| CHECKER: L. BROWN 04/29/2013 | |
| DSN APPVL: M. CHIASSON 06/27/2013 | |
| MFG APPVL: S. GONYAW 06/27/2013 | |
| QA APPVL: J. BRODEUR 06/25/2013 | |
| MKT APPVL: D. OWENS 06/25/2013 | |
| PROD FAM: TOOLS, BATTERY | SCALE: 3:16 |
| PROJECT #: 14396 | DRAWING NO |
| DOCUMENT TYPE: Sales | 50024459 |
| REL LEVEL: Released | SHEET 1 OF 1 |
| | REV |
| | B |

