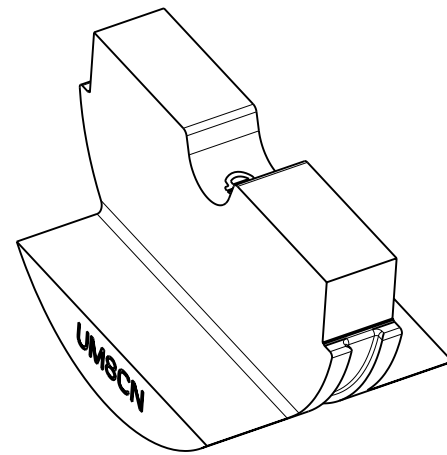
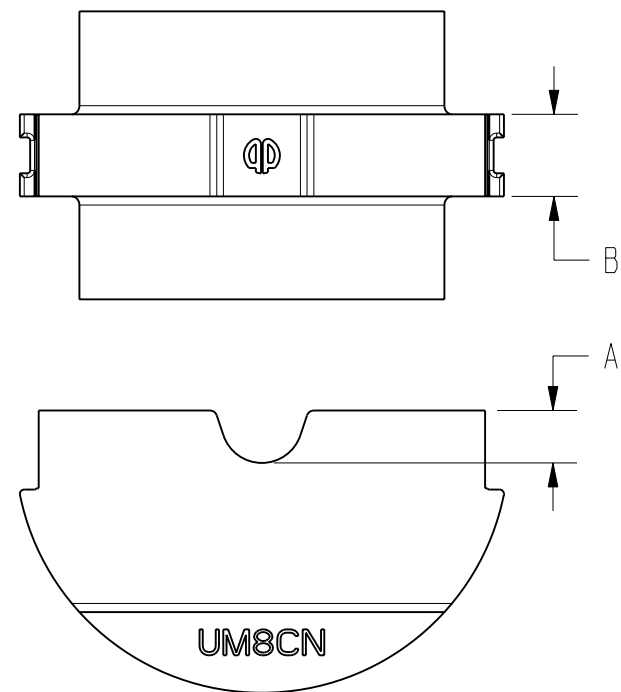
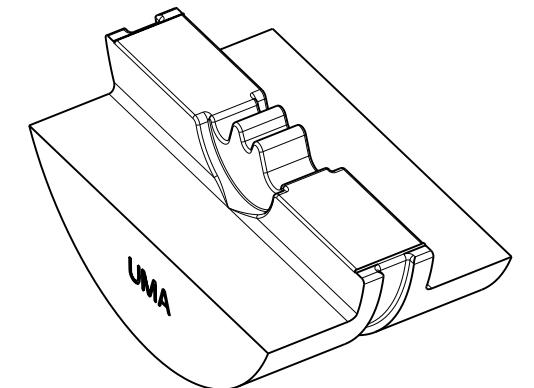
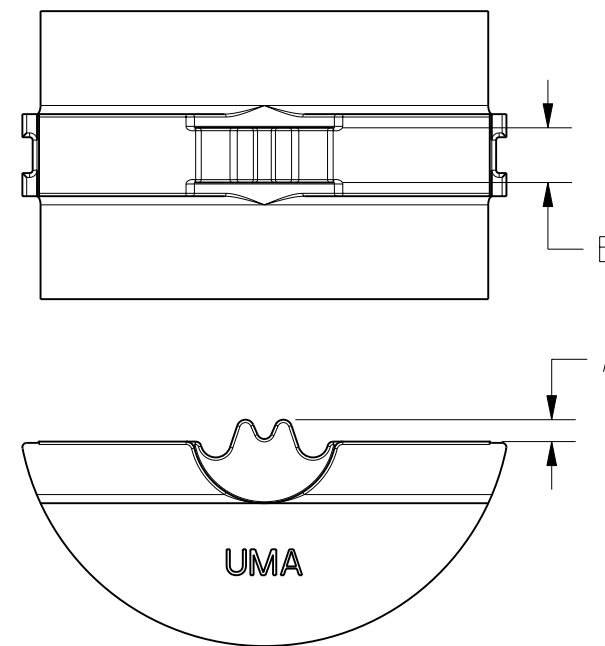


NEST CATALOG NO.	NEST DIE DIMENSIONS		INDENTOR CATALOG NO.	INDENTOR DIE DIMENSIONS		INSPECTION GAGES <sup>4</sup>		CRIMPS LUG SERIES	INSTALLATION TOOLING	
	DIM A	DIM B		DIM A	DIM B	GO DIA	NO-GO DIA.		PNEUMATIC	HYDRAULIC
UM8CN	.18 [5]	.28 [7]	UMA	.08 [2]	.19 [5]	0.0975	0.1462	YAD-M, YAV-L	OEM840NCP	-
UM6CN	.29 [7]	.34 [9]	UMB	.14 [4]	.31 [8]	0.1556	0.2037	YAD-M, YAV-L		
UM4CN	.32 [8]	.40 [10]	UMB	.14 [4]	.31 [8]	0.1829	0.2306	YAD-M, YAV-L		
UM2CN	.35 [9]	.46 [12]	UMB	.14 [4]	.31 [8]	0.2107	0.2579	YAD-M, YAV-L		
UM25N	.48 [12]	.62 [16]	UMC	.24 [6]	.44 [11]	0.2663	0.3146	YAD-M, YAV-L		
UM26N	.52 [13]	.62 [16]	UMC	.24 [6]	.44 [11]	0.2976	0.3455	YAD-M, YAV-L		
UM27N	.55 [14]	.62 [16]	UMC	.24 [6]	.44 [11]	0.3248	0.3725	YAD-M, YAV-L		
UM28N	.59 [15]	.62 [16]	UMC	.24 [6]	.44 [11]	0.3615	0.4089	YAD-M, YAV-L		
UM30N	.65 [17]	.80 [20]	UME	.25 [6]	.69 [18]	0.4420	0.4905	YAD-M	-	35 SERIES, 39 SERIES, 750 SERIES, 46 SERIES <sup>2</sup>
UM31N	.71 [18]	.80 [20]	UME	.25 [6]	.69 [18]	0.4966	0.5446	YAD-M		
UM33N	.77 [20]	.80 [20]	UME	.25 [6]	.69 [18]	0.5520	0.5905	YAD-M		
UM36N <sup>5</sup>	.60 [15]	1.00 [25]	UME	.25 [6]	.69 [18]	0.5715	0.6461	YAD-M		



NEST DIE



INDENTOR DIE

NOTE:

1. DIES MADE FROM STAINLESS STEEL
2. USE OF 46 SERIES TOOLS REQUIRES CAT NO. PUADPI U DIE ADAPTER.
3. DIMENSIONS IN BRACKETS [ ] ARE IN MILLIMETERS, ROUNDED TO THE NEAREST MILLIMETER AND ARE FOR REFERENCE ONLY.
4. TO PROPERLY USE INSPECTION GAGES, INSERT DIES IN TOOL AND RUN THE TOOL TO FULLY EXTEND THE RAM. INSERT INSPECTION GAGES THROUGH THE DIE OPENING AT THIS POINT. DO NOT CRIMP ONTO INSPECTION GAGES.
5. ALL DIE COMBINATIONS ARE BUTTING DIES, EXCEPT FOR UM36N NEST WITH UME INDENTOR, WHICH IS NON-BUTTING.

TO ORDER BURNDY® PRODUCTS CALL  
 UNITED STATES:  
 1-800-346-4175 (LONDONDERRY, NH)  
 CANADA:  
 1-800-361-6975 (QUEBEC)  
 1-800-387-6487 (ALL OTHER PROVINCES)  
 FOR PRODUCT INFO: <http://www.burndy.com>

OEM PRESS DIES			
ITEM NO:	N/A		
CAT. NO:	SEE TABLE		
DRAWN BY:	T. FAUCHER	10/16/2013	
CHECKER:	J. LEFAVOUR	10/17/2013	
DSN APPVL:	M. CHIASSON	10/23/2013	
MFG APPVL:	A. JOHNS	10/23/2013	
QA APPVL:	J. BRODEUR	10/24/2013	
MKT APPVL:	--	--	
PROD FAM:	TOOLS, HYDRAULIC	DRAWING NO	REV
PROJECT #:	--	SIZE	50024694
DOCUMENT TYPE:	Sales		C
REL LEVEL:	Released		SHEET 1 OF 1

REV.	DATE	DESCRIPTION	ECO	BY	C.H.K.
C	08/22/2016 00:00:00 AM	ADDED GAGING INFORMATION	44647	MG	RM

REV: PE0200