

*** BILL OF MATERIAL ***

PT NO.	CATALOG NO.	QTY	DESCRIPTION
1	PT10077012	1	CASE, TOOL PATRIOT
2	BAT18V	2	BATTERY, 18 VOLT 2.6 AH
3	PATCHGR18V	1	CHARGER, BATTERY PATRIOT LINE
4	PT208620	1	LANYARD
5	PAT46LWS-18VOM1	1	SOMI, PAT46LWS-18V
6	PT20443801	1	FIVE YEAR WARRANTY CARD

CATALOG NUMBER	DESCRIPTION	CHARGER CATALOG NO.
PAT46LWS-18V	PATRIOT® PAT46LWS-18V WITH 120V CHARGER	PATCHGR18V
PAT46LWS-18VDC	PATRIOT® PAT46LWS-18V WITH 12V CHARGER	BCTDCCHGR
PAT46LWS-18V250V	PATRIOT® PAT46LWS-18V WITH 250V CHARGER	PATCHGR250V

PATRIOT®

BATTERY ACTUATED TOOL - HYDRAULIC SELF CONTAINED - 15 TON OUTPUT FORCE

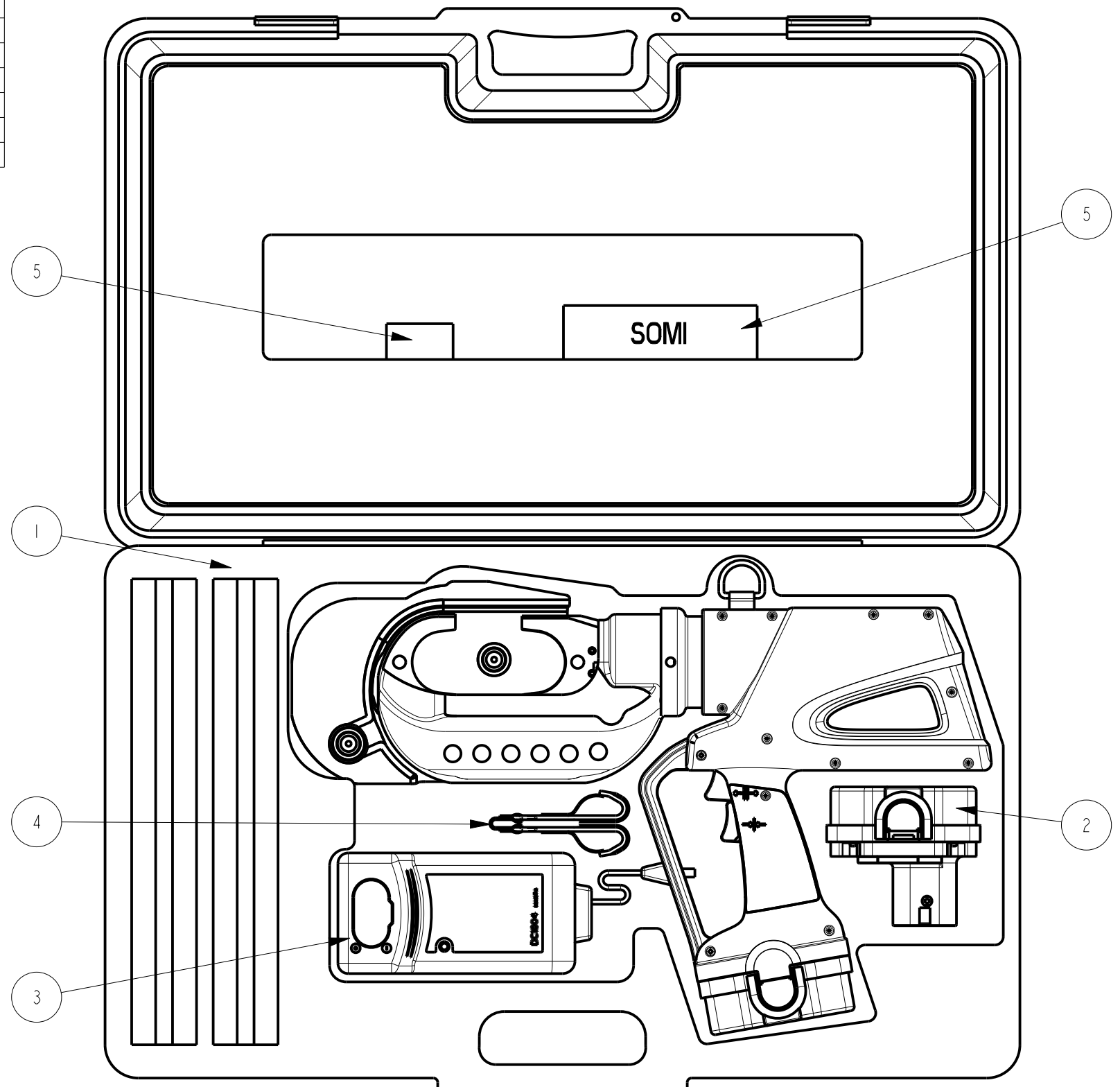
SPECIFICATIONS

- CRIMP FORCE: 15 TONS (13.6 METRIC TONS)
- TOOL WEIGHT: 19.7 LBS (8.9 kg)
- LENGTH: 18.44 IN (46.84 cm)
- WIDTH: 3.70 IN (9.40 cm)
- HEIGHT: 13.75 IN (34.93 cm)
- OPERATING VOLTAGE: 18V-DC
- RECHARGE TIME: 30 MINUTES

FEATURES AND BENEFITS

- REFINED HYDRAULIC SYSTEM FOR SUPERIOR PERFORMANCE, SPEED AND RELIABILITY.
- FIELD PROVEN ELECTRONICS FOR ULTIMATE RELIABILITY IN THE HARSHTEST ENVIRONMENTS.
- ONE-HANDED OPERATION FOR ADVANCE, RETRACT AND HOLD.
- 18 VOLT Ni-Mh BATTERIES ELIMINATE MEMORY ISSUES COMMON IN TRADITIONAL Ni-Cd BATTERIES.
- STATE OF THE ART CRIMPING HEAD DESIGN, 355° ROTATION LETS THE USER GET INTO TIGHT AREAS EASIER.
- ALLOWS USE OF STANDARD BURNDY® DIES ALREADY IN USE.
- DURABLE HIGH IMPACT FORMED CARRYING CASE PROVIDES SUPERIOR PROTECTION AND STORES ALL ACCESSORIES.
- 5 YEAR LIMITED WARRANTY ON THE TOOL, 1 YEAR WARRANTY ON THE BATTERIES AND CHARGER.
- LIFETIME WARRANTY ON INFINITY DRIVE®.

REV.	DATE	DESCRIPTION	ECO	BY	C'H'K.
D	10/16/2014 00:00:00 AM	DRAWING RELEASED	38095	TRF	MAC



TO ORDER BURNDY® PRODUCTS CALL

UNITED STATES:
1-800-346-4175 (LONDONDERRY, NH)

CANADA:
1-800-361-6975 (QUEBEC)
1-800-387-6487 (ALL OTHER PROVINCES)

FOR PRODUCT INFO: <http://www.burndy.com>

PATRIOT® PAT46LWS-18V

ITEM NO: --	SCALE: 1:4
CAT. NO: SEE TABLE	DRAWING NO
DRAWN BY: T. FAUCHER 03/12/2014	50024831
CHECKER: M. CHIASSON 03/12/2014	REV
DSN APPVL: M. CHIASSON 07/29/2014	D
MFG APPVL: S. GONYAW 07/30/2014	
QA APPVL: C. LINDQUIST 07/31/2014	
MKT APPVL: --	
PROD FAM: TOOLS, BATTERY	
PROJECT #: 14656	
DOCUMENT TYPE: Sales	
REL LEVEL: Released	

REV: PE0200