

PACKAGE CONTENTS		
CATALOG NO.	QTY	DESCRIPTION
BAT18VLI	2	BATTERY, 18 VOLT LITHIUM ION
PATCHGRLI	1	120 V-AC CHARGER
PT20443801	1	WARRANTY CARD
PATMDCUTXXLSOMI	1	SAFETY OPERATING AND MAINTENANCE INSTRUCTIONS
BATCHGR LISOMI	1	BATTERY CHARGER SAFETY OPERATING & MAINT. INST.
PATMD POLE TOOL	1	BATTERY POLE TOOL

FEATURES AND SPECIFICATIONS

- FIBERGLASS FOAM-FILLED POLE TESTED TO ASTM F711 [STANDARD SPECIFICATION FOR FIBERGLASS-REINFORCED PLASTIC (FRP) ROD AND TUBE USED IN LIVE LINE TOOLS] AND IEC 60855.
- 10,000 psi HYDRAULIC HOSE MANUFACTURED AND TESTED TO MEET THE SPECIFICATIONS LISTED UNDER SAE J343 100 kv/ft FOR 5 MINUTES.
- HYDRAULIC FLUID TESTED PER ASTM D877 STANDARDS TO GREATER THAN 37 kv.
- **FIBERGLASS TUBE IS DRY TESTED AT FINAL ASSEMBLY WITH AB CHANCE HOT STICK TESTER MODEL CC403-3178 TO THE VALUE SPECIFIED AS PER OSHA 1910.269 . PLEASE REFERENCE THIS SPECIFICATION FOR RECOMMENDED SAFE WORKING DISTANCES LISTED AT VARIOUS VOLTAGES.**
- SAFETY TRIGGER-LOCK BUTTON TO PREVENT ACCIDENTAL OPERATION OF TOOL WHEN NOT IN USE.

LITHIUM-ION IN-LINE® BATTERY TOOL JAWS WITH CUTTING BLADES AND OR CRIMPING JAWS

- WEIGHT 12.7 LBS (5.76 KG)
- LENGTH 82.1 IN (208.8 CM)
- WIDTH 2.7 IN (6.9 CM)
- OPERATING VOLTAGE 18 V-DC
- BATTERY RECHARGE TIME <30 MIN
- CUTTING CAPACITY
ACSR: 556 kcmil (26-7 DOVE)
AAC: 636 kcmil
COPPER: 350 kcmil SOFT DRAWN

- CRIMP JAWS USE BURNDY® "W" & "X" DIES
- CRIMP FORCE: 6 TONS (5.4 METRIC TONS)

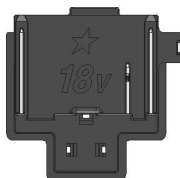
WARRANTY

- 5 YEAR LIMITED WARRANTY ON THE TOOL (EXCLUDING BLADES).
- LIFETIME WARRANTY ON INFINITY DRIVE®
- 3 YEAR WARRANTY ON THE BATTERY AND CHARGER.

PLEASE ADHERE TO ALL RECOMMENDED GUIDELINES LISTED IN THE SAFETY OPERATING AND MAINTENANCE INSTRUCTIONS (SOMI) INCLUDED WITH THE TOOL FOR PROPER USE AND CARE.

NOTES:

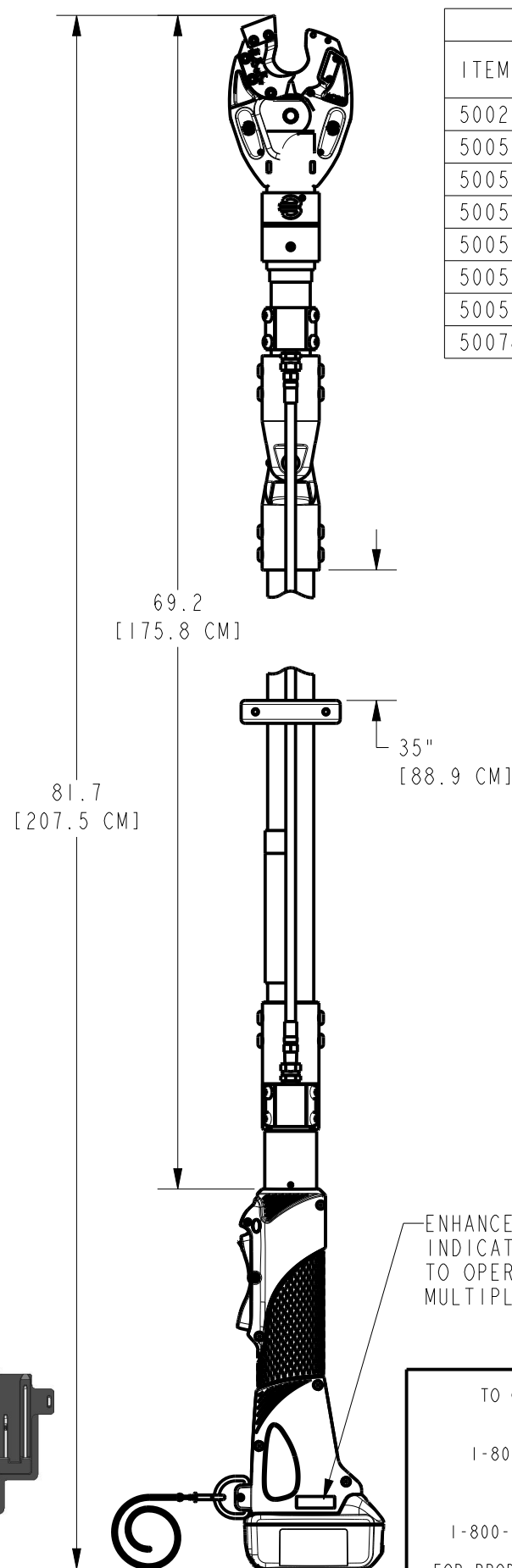
- EXCEPT ON LCB VARIANT.
- TOOL ACCEPTS 18V MAKITA LITHIUM-ION BATTERIES, BL SERIES, OF SIZE 2.0 AHR AND GREATER IF THE PLASTIC BATTERY CLIP IN THE TOOL HAS A "STAR" MOLDED INTO IT. THE "STAR" IDENTIFIES ACCEPTANCE OF THE BL SERIES BATTERIES.
- FOR TOOLS WHICH DO NOT HAVE A "STAR" MOLDED INTO THE PLASTIC BATTERY CLIP, USE IS LIMITED TO THE BL1830 (3.0 AHR) BATTERY. FORCING ANY OTHER BATTERY INTO THIS TOOL WILL VOID THE WARRANTY.



REV.	DATE	DESCRIPTION	ECO	BY	C'H'K.
N	2019-06-04 01:00:00 EDT	DRAWING RELEASED	51382	TRF	CMT

VARIATIONS		
ITEM NO.	CATALOG NO.	DESCRIPTION
50024944	PATMDCUT82ALLIF	SCISSOR ACTION CUTTER, 82 INCHES LONG
50059987	PATMD682ALLIFWCJ	SCISSOR ACTION WITH CRIMPER AND CUTTER HEADS
50059988	PATMD6882ALLIFWCJ	SCISSOR ACTION WITH CRIMPER AND CUTTER HEADS
50059989	PATMD6682ALLIFWCJ	SCISSOR ACTION WITH CRIMPER AND CUTTER HEADS
50059990	PATMD682ALLIF	SCISSOR ACTION WITH MD6 CRIMPER HEAD
50059991	PATMD6882ALLIF	SCISSOR ACTION WITH MD68 CRIMPER HEAD
50059992	PATMD6682ALLIF	SCISSOR ACTION WITH MD66 CRIMPER HEAD
50078382	PATMDCUT82ALLIFLCB	SCISSOR ACTION CUTTER, W/O CHARGER OR BATTERIES

ACCESSORIES (SOLD SEPERATELY)	
BLADES	
CATALOG NUMBER	DESCRIPTION
PATMDCUTACSRBLDSET	BLADES, CUTTER, ACSR REPLACEABLE
JAW	
CATALOG NUMBER	DESCRIPTION
PATCUTLWJAW	CUTTER JAW SET, INCLUDES ACSR BLADES
PATMD6LWJAW	CRIMP JAW, "BG" AND "D3" GROOVES
PATMD68LWJAW	CRIMP JAW, "O" AND "D3" GROOVES
PATMD66LWJAW	CRIMP JAW, SNUB, "D3" GROOVE
POWER SOURCE	
CATALOG NUMBER	DESCRIPTION
BAT18VLI	BATTERY, 18V Li-ION
PATCHGR LI	CHARGER, 110 VAC (FOR Li-ION BAT.)
PATCHGR LIDC	CHARGER, 12 VDC (FOR Li-ION BAT.)
OTHER	
CATALOG NUMBER	DESCRIPTION
PT10074020	STRAP, WRIST (IN-LINE)
DOCUMENTATION	
CATALOG NUMBER	DESCRIPTION
PATMDCUTXXLSOMI	USERS MANUAL (SOMI)



ENHANCED POWER LABEL INDICATES THE ABILITY TO OPERATE WITH MULTIPLE Ahr BATTERIES

TO ORDER BURNDY® PRODUCTS CALL		SCISSOR ACTION / CRIMPER, 82 INCHES LONG	
UNITED STATES:		ITEM NO: SEE TABLE	
1-800-346-4175 (LONDONDERRY, NH)		CAT. NO: SEE TABLE	
CANADA:		DRAWN BY: T. FAUCHER 04/22/2014	
1-800-361-6975 (QUEBEC)		CHECKER: M. CHIASSON 04/24/2014	
1-800-387-6487 (ALL OTHER PROVINCES)		DSN APPVL: M. CHIASSON 05/08/2014	
FOR PRODUCT INFO: http://www.burndy.com		MFG APPVL: C. TORREY 05/12/2014	
		QA APPVL: C. LINDQUIST 05/08/2014	
		MKT APPVL: M. RZASA 05/08/2014	
		SCALE: 3:16	
		PROD FAM: TOOLS, BATTERY	
		PROJECT #: 14347	
		DOCUMENT TYPE: Sales	
		REL LEVEL: Released	
		DRAWING NO: 50024918	
		SHEET 1 OF 1	
		REV: N	

REV: PE0200