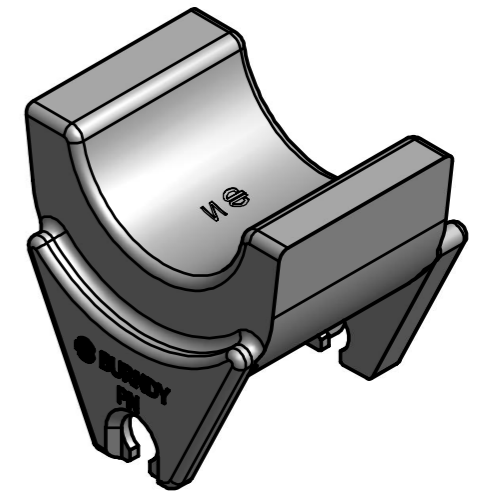
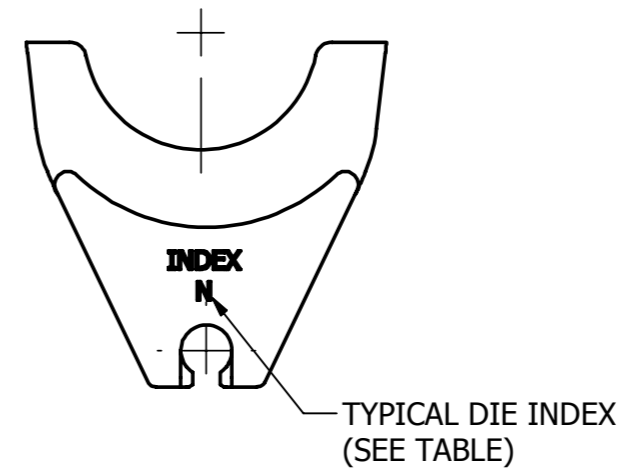
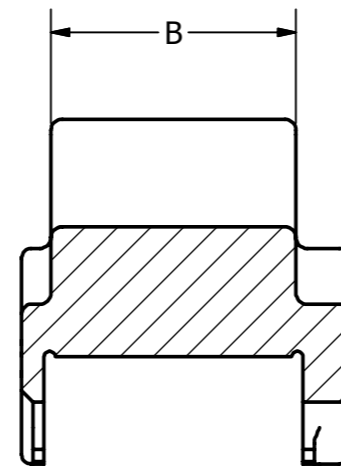
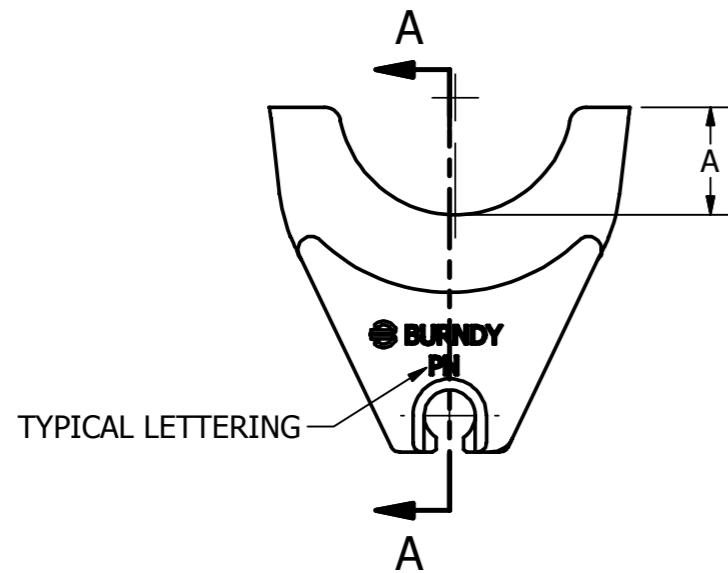
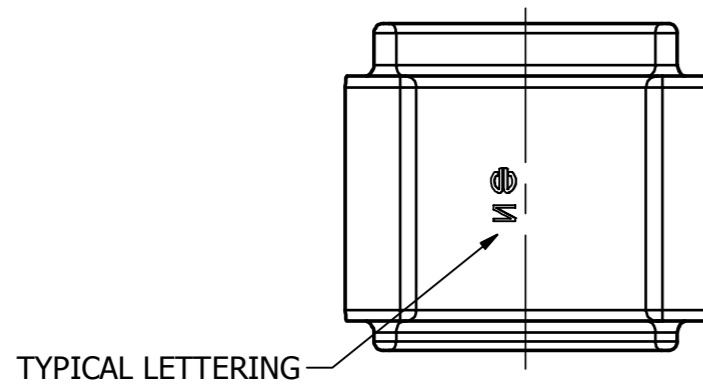


CATALOG NO.	A	B	DIE INDEX
PN	.58 [15]	1.31 [33]	N
P999	.59 [15]	1.13 [29]	999
PYFN	.58 [15]	1.31 [33]	N
P1104	.59 [15]	1.13 [29]	1104

REV	DATE	DESCRIPTION	ECO	BY	C'H'K.
A	05/22/2013	SALES DRAWING CREATION	29952	YM	MB



NOTES:

1. MATERIAL STAINLESS STEEL.
2. DIMENSIONS IN BRACKETS [] ARE IN MILLIMETERS ROUNDED OFF TO THE NEAREST MILLIMETER, UNLESS OTHERWISE SPECIFIED AND ARE FOR REFERENCE ONLY.

TO ORDER BURNDY® PRODUCTS CALL		CIRCULAR NON BUTTING TWIN DIE	
UNITED STATES 1-800-346-4175 (LONDONDERRY, NH)		ITEM NO: N/A	
CANADA: 1-800-361-6975 (QUEBEC) 1-800-387-6487 (ALL OTHER PROVINCES)		CAT. NO: SEE TABLE	
FOR PRODUCT INFO: http://www.burndy.com		DRAWN BY: YM 05/22/2013	
		CHECKER: P WASON 02/24/2014	
		DSN APRVL: P WASON 02/24/2014	
		MFG APRVL: --	
		QA APRVL: C ACKERMAN 02/27/2014	
		MKT APRVL: M RZASA 02/24/2014	
		PROJ #: --	
		DRAWING NO: 50025571	
		REV: A	
		DOCUMENT TYPE: SALES	
		REL LEVEL: Released	
		SHEET 1 OF 1	