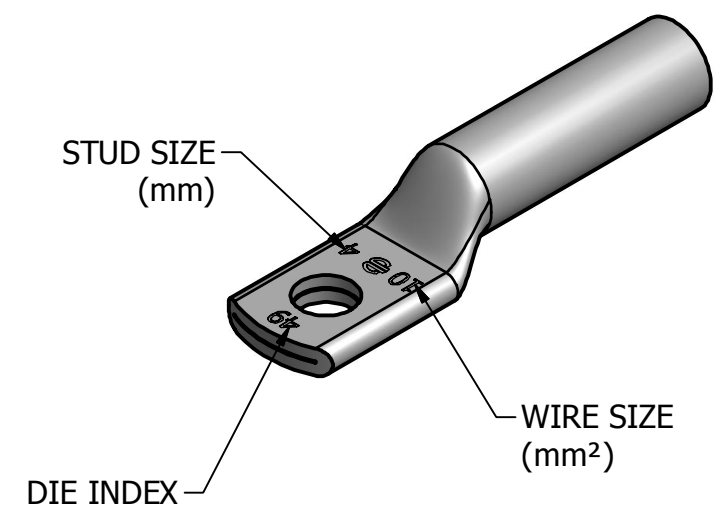
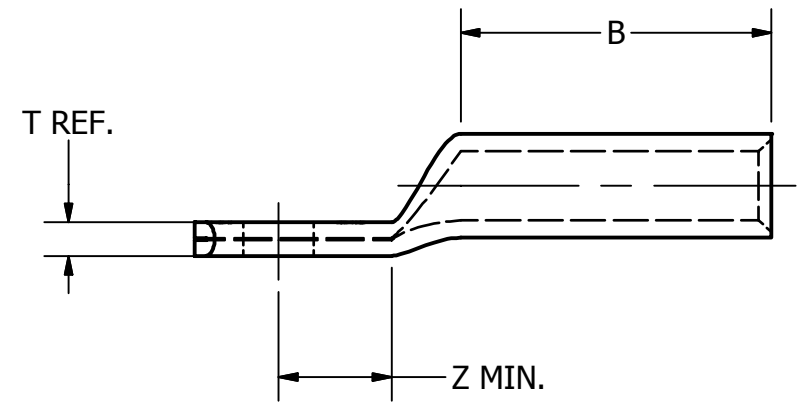
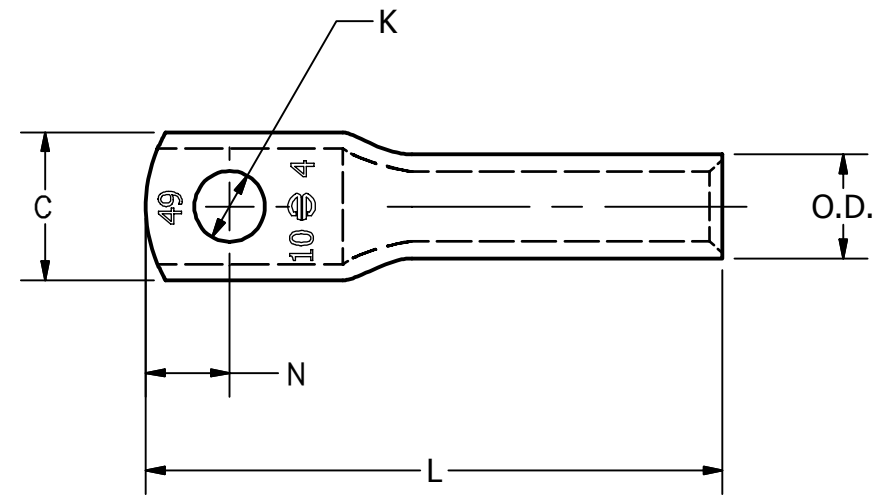


REV	DATE	DESCRIPTION	ECO	BY	C'H'K.
D	05/16/2014	DRAWING RELEASED	36151	GN	MB



NOTES:

1. MATERIAL: COPPER TUBING.
2. FINISH: TIN PLATED.
3. DIMENSIONS IN BRACKETS [] ARE IN INCHES ROUNDED OFF TO THE NEAREST HUNDRETH, UNLESS OTHERWISE NOTED, AND ARE FOR REFERENCE ONLY.
4. CONNECTORS ARE COMPATIBLE WITH THE FOLLOWING STANDARDS:
IEC-61238-1, UL486A/B (USA), CSA-C22.2 No 65-03 (CANADA)
5. CATALOG # PUDAP-1 ADAPTOR IS REQUIRED TO USE 'U' DIES IN Y46 SERIES TOOLS.
6. USE THE EQUIVALENT AWG SETTING ON TOOL FOR INSTALLATION.

TO ORDER BURNDY® PRODUCTS CALL		HYLUG™													
UNITED STATES 1-800-346-4175 (LONDONDERRY, NH)		ITEM NO: --													
CANADA: 1-800-361-6975 (QUEBEC) 1-800-387-6487 (ALL OTHER PROVINCES)		CAT. NO: SEE TABLE													
FOR PRODUCT INFO: http://www.burndy.com		<table border="1"> <tr> <td>DRAWN BY: A BHARATH</td> <td>5/24/2013</td> </tr> <tr> <td>CHECKER: R ROMAN</td> <td>5/29/2013</td> </tr> <tr> <td>DSN APRVL: R ROMAN</td> <td>5/28/2013</td> </tr> <tr> <td>MFG APRVL: PASSARELI J</td> <td>5/27/2014</td> </tr> <tr> <td>QA APRVL: T WATTS</td> <td>5/28/2013</td> </tr> <tr> <td>MKT APRVL: J SYLVIA</td> <td>6/2/2013</td> </tr> </table>		DRAWN BY: A BHARATH	5/24/2013	CHECKER: R ROMAN	5/29/2013	DSN APRVL: R ROMAN	5/28/2013	MFG APRVL: PASSARELI J	5/27/2014	QA APRVL: T WATTS	5/28/2013	MKT APRVL: J SYLVIA	6/2/2013
DRAWN BY: A BHARATH	5/24/2013														
CHECKER: R ROMAN	5/29/2013														
DSN APRVL: R ROMAN	5/28/2013														
MFG APRVL: PASSARELI J	5/27/2014														
QA APRVL: T WATTS	5/28/2013														
MKT APRVL: J SYLVIA	6/2/2013														
PROJ #: --		DRAWING NO													
DOCUMENT TYPE: SALES		50025611													
REL LEVEL: Released		SHEET 1 OF 5													
		REV													
		D													

CATALOG NUMBER	COPPER		BOLT SIZE	DIMENSIONS								DIE INDEX	INSTALLATION TOOLING (# OF CRIMPS)				WIRE STRIP LENGTH (mm)
	SIZE mm ² (AWG)	CLASS		B	C	K	L	N	O.D.	T REF.	Z MIN.		MECHANICAL	HYDRAULIC		DIELESS (# OF CRIMPS) \triangleleft 6	
													MD6, OUR840 MD7-34R	PAT600, Y500CTHS	Y35, Y39, Y750, Y46 PAT750 \triangleleft 5		
YALB10M4	10 (8)	2, 5	M4	20.6 [.81]	9.8 [.39]	4.7 [.18]	38.1 [1.50]	5.6 [.22]	6.9 [.27]	2.2 [.09]	5.9 [.23]	49	W8CVT (2) W8CRT (2) X8CRT (2)	W8CVT (2) W8CRT (2) X8CRT (2)	U8CRT (2)	Y1MRTC (2) MY29-11 (1) MRC840 (2) Y81KFT (1) PAT81KFT (1)	22
YALB10M5	10 (8)	2, 5	M5	20.6 [.81]	10.4 [.41]	5.3 [.21]	39.8 [1.57]	6.4 [.25]	6.9 [.27]	2.1 [.08]	6.8 [.27]						
YALB10M6	10 (8)	2, 5	M6	20.6 [.81]	11.2 [.44]	6.9 [.27]	42.9 [1.69]	7.9 [.31]	6.9 [.27]	1.9 [.08]	8.3 [.33]						
YALB10M8	10 (8)	2, 5	M8	20.6 [.81]	13.2 [.52]	8.4 [.33]	44.5 [1.75]	8.7 [.34]	6.9 [.27]	1.6 [.06]	9.1 [.36]						
YALB10M10	10 (8)	2, 5	M10	20.6 [.81]	14.7 [.58]	10.4 [.41]	47.7 [1.88]	10.3 [.41]	6.9 [.27]	1.4 [.06]	10.7 [.42]						
YALB10M12	10 (8)	2, 5	M12	20.6 [.81]	21.1 [.83]	13.3 [.53]	58.8 [2.32]	13.5 [.53]	6.9 [.27]	3.0 [.12]	13.9 [.55]						
YALB16M4	16 (6)	2, 5	M4	28.4 [1.12]	11.4 [.45]	4.7 [.18]	47.2 [1.86]	5.6 [.22]	7.9 [.31]	2.2 [.09]	5.9 [.23]	7	W5CVT (2) W5CRT (2) X5CRT (2)	W5CVT (2) W5CRT (2) X5CRT (2)	U5CRT (2)	Y1MRTC (2) MY29-11 (2) MRC840 (2) Y644 (1) PAT644 (1) Y81KFT (1) PAT81KFT (1)	30
YALB16M5	16 (6)	2, 5	M5	28.4 [1.12]	11.4 [.45]	5.3 [.21]	48.8 [1.92]	6.4 [.25]	7.9 [.31]	2.2 [.09]	6.8 [.27]						
YALB16M6	16 (6)	2, 5	M6	28.4 [1.12]	12.2 [.48]	6.9 [.27]	51.9 [2.05]	7.9 [.31]	7.9 [.31]	2.0 [.08]	8.3 [.33]						
YALB16M8	16 (6)	2, 5	M8	28.4 [1.12]	13.2 [.52]	8.4 [.33]	53.5 [2.11]	8.7 [.34]	7.9 [.31]	1.9 [.07]	9.1 [.36]						
YALB16M10	16 (6)	2, 5	M10	28.4 [1.12]	14.7 [.58]	10.4 [.41]	59.1 [2.33]	10.3 [.41]	7.9 [.31]	1.6 [.06]	10.7 [.42]						
YALB16M12	16 (6)	2, 5	M12	28.4 [1.12]	19.1 [.75]	13.3 [.53]	63.1 [2.48]	13.5 [.53]	7.9 [.31]	3.0 [.12]	13.9 [.55]						
YALB25M5	25 (4)	2, 5	M5	31.8 [1.25]	13.9 [.55]	5.3 [.21]	53.6 [2.11]	6.4 [.25]	9.5 [.38]	2.3 [.09]	6.8 [.27]	9	W3CRT (2)	W3CRT (2)	U3CRT (2)	Y1MRTC (2) MY29-11 (2) MRC840 (2) Y644 (1) PAT644 (1) Y81KFT (1) PAT81KFT (1)	33
YALB25M6	25 (4)	2, 5	M6	31.8 [1.25]	13.9 [.55]	6.9 [.27]	56.7 [2.23]	7.9 [.31]	9.5 [.38]	2.3 [.09]	8.3 [.33]						
YALB25M8	25 (4)	2, 5	M8	31.8 [1.25]	13.9 [.55]	8.4 [.33]	58.3 [2.30]	8.7 [.34]	9.5 [.38]	2.3 [.09]	9.1 [.36]						
YALB25M10	25 (4)	2, 5	M10	31.8 [1.25]	14.7 [.58]	10.4 [.41]	61.5 [2.42]	10.3 [.41]	9.5 [.38]	2.1 [.08]	10.7 [.42]						
YALB25M12	25 (4)	2, 5	M12	31.8 [1.25]	21.1 [.83]	13.3 [.53]	67.9 [2.67]	13.5 [.53]	9.5 [.38]	3.0 [.12]	13.9 [.55]						
YALB35M5	35 (2)	2, 5	M5	35.1 [1.38]	17.2 [.68]	5.3 [.21]	57.6 [2.27]	6.4 [.25]	11.7 [.46]	2.6 [.10]	6.8 [.27]						
YALB35M6	35 (2)	2, 5	M6	35.1 [1.38]	17.2 [.68]	6.9 [.27]	60.7 [2.39]	7.9 [.31]	11.7 [.46]	2.6 [.10]	8.3 [.33]	10	W2CVT (2) W2CRT (2) X2CRT (2)	W2CVT (2) W2CRT (2) X2CRT (2)	U2CRT (2)	Y1MRTC (4) MY29-11 (2) MRC840 (2) Y644 (1) PAT644 (1) Y81KFT (1) PAT81KFT (1)	37
YALB35M8	35 (2)	2, 5	M8	35.1 [1.38]	17.2 [.68]	8.4 [.33]	62.3 [2.45]	8.7 [.34]	11.7 [.46]	2.6 [.10]	9.1 [.36]						
YALB35M10	35 (2)	2, 5	M10	35.1 [1.38]	17.2 [.68]	10.4 [.41]	65.5 [2.58]	10.3 [.41]	11.7 [.46]	2.6 [.10]	10.7 [.42]						
YALB35M12	35 (2)	2, 5	M12	35.1 [1.38]	21.1 [.83]	13.3 [.53]	71.9 [2.83]	13.5 [.53]	11.7 [.46]	3.0 [.12]	13.9 [.55]						

REV	DATE	DESCRIPTION	ECO	BY	C'H'K.
D	05/16/2014	DRAWING RELEASED	36151	GN	MB

CONNECTOR SIZE	TOLERANCES					
	B	C	K DIA	L	N	O.D.
015 - 6	±.8 [.03]	±1.0 [.04]	±.5 [.02]	±1.5 [.06]	±.8 [.03]	±.3 [.01]
10 - 50	±1.5 [.06]	±1.0 [.04]	±.5 [.02]	±2.3 [.09]	±.8 [.03]	±.3 [.01]
70 - 240	±2.0 [.08]	±1.0 [.04]	±.5 [.02]	±3.0 [.12]	±.8 [.03]	±.3 [.01]
300 & ABOVE	±2.3 [.09]	±1.5 [.06]	±.5 [.02]	±3.8 [.15]	±1.5 [.06]	±.3 [.01]

NOTES:
1. SEE SHEET 1 FOR NOTES.

TO ORDER BURNDY® PRODUCTS CALL		HYLUG™													
UNITED STATES 1-800-346-4175 (LONDONDERRY, NH)		ITEM NO: --													
CANADA: 1-800-361-6975 (QUEBEC) 1-800-387-6487 (ALL OTHER PROVINCES)		CAT. NO: SEE TABLE													
FOR PRODUCT INFO: http://www.burndy.com		<table border="1"> <tr><td>DRAWN BY: A BHARATH</td><td>5/24/2013</td></tr> <tr><td>CHECKER: R ROMAN</td><td>5/29/2013</td></tr> <tr><td>DSN APRVL: R ROMAN</td><td>5/28/2013</td></tr> <tr><td>MFG APRVL: PASSARELLI J</td><td>5/27/2014</td></tr> <tr><td>QA APRVL: T WATTS</td><td>5/28/2013</td></tr> <tr><td>MKT APRVL: J SYLVIA</td><td>6/2/2013</td></tr> </table>		DRAWN BY: A BHARATH	5/24/2013	CHECKER: R ROMAN	5/29/2013	DSN APRVL: R ROMAN	5/28/2013	MFG APRVL: PASSARELLI J	5/27/2014	QA APRVL: T WATTS	5/28/2013	MKT APRVL: J SYLVIA	6/2/2013
DRAWN BY: A BHARATH	5/24/2013														
CHECKER: R ROMAN	5/29/2013														
DSN APRVL: R ROMAN	5/28/2013														
MFG APRVL: PASSARELLI J	5/27/2014														
QA APRVL: T WATTS	5/28/2013														
MKT APRVL: J SYLVIA	6/2/2013														
PROJ #: --		DRAWING NO													
DOCUMENT TYPE: SALES		50025611													
REL LEVEL: Released		SHEET 2 OF 5													
		REV													
		D													

CATALOG NUMBER	COPPER		BOLT SIZE	DIMENSIONS								DIE INDEX	INSTALLATION TOOLING (# OF CRIMPS)				WIRE STRIP LENGTH (mm)	
	SIZE mm2 (AWG)	CLASS		B	C	K	L	N	O.D.	T REF.	Z MIN.		MECHANICAL		HYDRAULIC			DIELESS (# OF CRIMPS)
													MD6, OUR840 MD7-34R	PAT600, Y500CTHS	Y35, Y39, Y750, Y46 PAT750			
YALB50M6	50 (2)	2	M6	35.1 [1.38]	17.2 [.68]	6.9 [.27]	60.7 [2.39]	7.9 [.31]	11.7 [.46]	2.6 [.10]	8.3 [.33]	12	W25VT (4) W25RT (4) X25RT (4)	W25VT (4) W25RT (4) X25RT (4)	U25RT (2)	MY29-11 (2) MRC840 (4) Y644 (1) PAT644 (1) Y81KFT (2) PAT81KFT (1)	37	
YALB50M8	50 (2)	2	M8	35.1 [1.38]	17.2 [.68]	8.4 [.33]	62.3 [2.45]	8.7 [.34]	11.7 [.46]	2.6 [.10]	9.1 [.36]							
YALB50M10	50 (2)	2	M10	35.1 [1.38]	17.2 [.68]	10.4 [.41]	65.5 [2.58]	10.3 [.41]	11.7 [.46]	2.6 [.10]	10.7 [.42]							
YALB50M12	50 (2)	2	M12	35.1 [1.38]	21.1 [.83]	13.3 [.53]	71.9 [2.83]	13.5 [.53]	11.7 [.46]	3.0 [.12]	13.9 [.55]							
YALB50M14	50 (2)	2	M14	35.1 [1.38]	21.1 [.83]	15.1 [.59]	72.9 [2.87]	14.0 [.55]	11.7 [.46]	3.0 [.12]	14.4 [.57]							
YALB50M16	50 (2)	2	M16	35.1 [1.38]	21.1 [.83]	17.5 [.69]	78.2 [3.08]	16.7 [.66]	11.7 [.46]	3.0 [.12]	17.1 [.67]							
YALB70M5	70 (1/0)	2	M5	38.1 [1.50]	21.1 [.83]	5.3 [.21]	62.5 [2.46]	6.4 [.25]	14.3 [.56]	3.0 [.12]	6.8 [.27]	13	W26VT (4) W26RT (4) X26RT (4)	W26VT (4) W26RT (4) X26RT (4)	U26RT (2)	MY29-11 (2) MRC840 (4) Y644 (1) PAT644 (1) Y81KFT (2) PAT81KFT (2)	40	
YALB70M6	70 (1/0)	2	M6	38.1 [1.50]	21.1 [.83]	6.9 [.27]	65.6 [2.58]	7.9 [.31]	14.3 [.56]	3.0 [.12]	8.3 [.33]							
YALB70M8	70 (1/0)	2	M8	38.1 [1.50]	21.1 [.83]	8.4 [.33]	67.2 [2.65]	8.7 [.34]	14.3 [.56]	3.0 [.12]	9.1 [.36]							
YALB70M10	70 (1/0)	2	M10	38.1 [1.50]	21.1 [.83]	10.4 [.41]	70.4 [2.77]	10.3 [.41]	14.3 [.56]	3.0 [.12]	10.7 [.42]							
YALB70M12	70 (1/0)	2	M12	38.1 [1.50]	21.1 [.83]	13.3 [.53]	76.8 [3.02]	13.5 [.53]	14.3 [.56]	3.0 [.12]	13.9 [.55]							
YALB70M14	70 (1/0)	2	M14	38.1 [1.50]	21.1 [.83]	15.1 [.59]	77.8 [3.06]	14.0 [.55]	14.3 [.56]	3.0 [.12]	14.4 [.57]							
YALB70M16	70 (1/0)	2	M16	38.1 [1.50]	21.1 [.83]	17.5 [.69]	86.4 [3.40]	16.7 [.66]	14.3 [.56]	3.0 [.12]	17.1 [.67]							
YALB95M8	95 (2/0)	2	M8	38.1 [1.50]	23.6 [.93]	8.4 [.33]	68.5 [2.70]	8.7 [.34]	16.1 [.63]	3.3 [.13]	9.1 [.36]	14	W27VT (4) W27RT (4) X27RT (6)	W27VT (4) W27RT (4) X27RT (6)	U27RT (2)	MY29-11 (2) MRC840 (4) Y644 (1) PAT644 (1) Y81KFT (2) PAT81KFT (2)	40	
YALB95M10	95 (2/0)	2	M10	38.1 [1.50]	23.6 [.93]	10.4 [.41]	71.7 [2.82]	10.3 [.41]	16.1 [.63]	3.3 [.13]	10.7 [.42]							
YALB95M12	95 (2/0)	2	M12	38.1 [1.50]	23.6 [.93]	13.3 [.53]	78.0 [3.07]	13.5 [.53]	16.1 [.63]	3.3 [.13]	13.9 [.55]							
YALB95M14	95 (2/0)	2	M14	38.1 [1.50]	23.6 [.93]	15.1 [.59]	79.0 [3.11]	14.0 [.55]	16.1 [.63]	3.3 [.13]	14.4 [.57]							
YALB95M16	95 (2/0)	2	M16	38.1 [1.50]	23.6 [.93]	17.5 [.69]	84.4 [3.32]	16.7 [.66]	16.1 [.63]	3.3 [.13]	17.1 [.67]							
YALB95M20	95 (2/0)	2	M20	38.1 [1.50]	30.5 [1.20]	23.8 [.94]	95.5 [3.76]	22.2 [.88]	16.1 [.63]	4.1 [.16]	22.6 [.89]							

REV	DATE	DESCRIPTION	ECO	BY	C'H'K.
D	05/16/2014	DRAWING RELEASED	36151	GN	MB

CONNECTOR SIZE	TOLERANCES					
	B	C	K DIA.	L	N	O.D.
015 - 6	± .8 [.03]	± 1.0 [.04]	± .5 [.02]	± 1.5 [.06]	± .8 [.03]	± .3 [.01]
10 - 50	± 1.5 [.06]	± 1.0 [.04]	± .5 [.02]	± 2.3 [.09]	± .8 [.03]	± .3 [.01]
70 - 240	± 2.0 [.08]	± 1.0 [.04]	± .5 [.02]	± 3.0 [.12]	± .8 [.03]	± .3 [.01]
300 & ABOVE	± 2.3 [.09]	± 1.5 [.06]	± .5 [.02]	± 3.8 [.15]	± 1.5 [.06]	± .3 [.01]

NOTES:

- SEE SHEET 1 FOR NOTES.

TO ORDER BURNDY® PRODUCTS CALL		HYLUG™													
UNITED STATES 1-800-346-4175 (LONDONDERRY, NH)		ITEM NO: --													
CANADA: 1-800-361-6975 (QUEBEC) 1-800-387-6487 (ALL OTHER PROVINCES)		CAT. NO: SEE TABLE													
FOR PRODUCT INFO: http://www.burndy.com		<table border="1"> <tr><td>DRAWN BY: A BHARATH</td><td>5/24/2013</td></tr> <tr><td>CHECKER: R ROMAN</td><td>5/29/2013</td></tr> <tr><td>DSN APRVL: R ROMAN</td><td>5/28/2013</td></tr> <tr><td>MFG APRVL: PASSARELLI J</td><td>5/27/2014</td></tr> <tr><td>QA APRVL: T WATTS</td><td>5/28/2013</td></tr> <tr><td>MKT APRVL: J SYLVIA</td><td>6/2/2013</td></tr> </table>		DRAWN BY: A BHARATH	5/24/2013	CHECKER: R ROMAN	5/29/2013	DSN APRVL: R ROMAN	5/28/2013	MFG APRVL: PASSARELLI J	5/27/2014	QA APRVL: T WATTS	5/28/2013	MKT APRVL: J SYLVIA	6/2/2013
DRAWN BY: A BHARATH	5/24/2013														
CHECKER: R ROMAN	5/29/2013														
DSN APRVL: R ROMAN	5/28/2013														
MFG APRVL: PASSARELLI J	5/27/2014														
QA APRVL: T WATTS	5/28/2013														
MKT APRVL: J SYLVIA	6/2/2013														
PROJ FAM: --		DRAWING NO													
PROJECT #: --		50025611													
DOCUMENT TYPE: SALES		SIZE													
REL LEVEL: Released		B													
		REV													
		D													
		SHEET 3 OF 5													

CATALOG NUMBER	COPPER			DIMENSIONS								DIE INDEX	INSTALLATION TOOLING (# OF CRIMPS)				WIRE STRIP LENGTH (mm)	
	SIZE mm2 (AWG)	CLASS	BOLT SIZE	B	C	K	L	N	O.D.	T REF.	Z MIN.		MECHANICAL		HYDRAULIC			DIELESS (# OF CRIMPS)
													MD6, OUR840 MD7-34R	PAT600, Y500CTHS	Y35, Y39, Y750, Y46 PAT750	6		
YALB120M8	120 (4/0)	2	M8	41.1 [1.62]	29.0 [1.14]	8.4 [.33]	74.0 [2.91]	8.7 [.34]	19.6 [.77]	3.7 [.15]	9.1 [.36]	15	W28VT (4) W28RT (4) X28RT (6)	W28VT (4) W28RT (4) X28RT (6)	U28RT (2)	MY29-11 (2) MRC840 (4) Y644 (1) PAT644 (1) Y81KFT (2) PAT81KFT (2)	43	
YALB120M10	120 (4/0)	2	M10	41.1 [1.62]	29.0 [1.14]	10.4 [.41]	79.6 [3.13]	10.3 [.41]	19.6 [.77]	3.7 [.15]	10.7 [.42]							
YALB120M12	120 (4/0)	2	M12	41.1 [1.62]	29.0 [1.14]	13.3 [.53]	83.5 [3.29]	13.5 [.53]	19.6 [.77]	3.7 [.15]	13.9 [.55]							
YALB120M14	120 (4/0)	2	M14	41.1 [1.62]	29.0 [1.14]	15.1 [.59]	84.5 [3.33]	14.0 [.55]	19.6 [.77]	3.7 [.15]	14.4 [.57]							
YALB120M16	120 (4/0)	2	M16	41.1 [1.62]	29.0 [1.14]	17.5 [.69]	89.9 [3.54]	16.7 [.66]	19.6 [.77]	3.7 [.15]	17.1 [.67]							
YALB120M20	120 (4/0)	2	M20	41.1 [1.62]	30.5 [1.20]	23.8 [.94]	101.0 [3.98]	22.2 [.88]	19.6 [.77]	4.3 [.17]	22.6 [.89]							
YALB150M6	150 [300]	2	M6	50.8 [2.00]	30.5 [7.20]	6.9 [.27]	82.6 [3.25]	7.92 [.312]	20.7 [.81]	4.1 [.16]	8.33 [.328]	17	W30VT (4)	W30VT (4) W30RT (4)	U30RT (4)	Y644 (1) PAT644 (1) Y81KFT (3) PAT81KFT (3)	52	
YALB150M8	150 (300)	2	M8	50.8 [2.00]	30.5 [1.20]	8.4 [.33]	84.2 [3.31]	8.7 [.34]	20.7 [.81]	4.1 [.16]	9.1 [.36]							
YALB150M10	150 (300)	2	M10	50.8 [2.00]	30.5 [1.20]	10.4 [.41]	87.3 [3.44]	10.3 [.41]	20.7 [.81]	4.1 [.16]	10.7 [.42]							
YALB150M12	150 (300)	2	M12	50.8 [2.00]	30.5 [1.20]	13.3 [.53]	93.7 [3.69]	13.5 [.53]	20.7 [.81]	4.1 [.16]	13.9 [.55]							
YALB150M14	150 (300)	2	M14	50.8 [2.00]	30.5 [1.20]	15.1 [.59]	94.7 [3.73]	14.0 [.55]	20.7 [.81]	4.1 [.16]	14.4 [.57]							
YALB150M16	150 (300)	2	M16	50.8 [2.00]	30.5 [1.20]	17.5 [.69]	100.7 [3.96]	16.7 [.66]	20.7 [.81]	4.1 [.16]	17.1 [.67]							
YALB150M20	150 (300)	2	M20	50.8 [2.00]	30.5 [1.20]	23.8 [.94]	111.8 [4.40]	22.2 [.88]	20.7 [.81]	4.1 [.16]	22.6 [.89]							
YALB185M8	185 (350)	2	M8	50.8 [2.00]	32.8 [1.29]	8.4 [.33]	85.2 [3.35]	8.7 [.34]	22.2 [.88]	4.4 [.17]	9.1 [.36]	18	W31VT (4)	W31VT (4) W31RT (4)	U31RT (4)	Y644 (1) PAT644 (1) Y81KFT (3) PAT81KFT (3)	52	
YALB185M10	185 (350)	2	M10	50.8 [2.00]	32.8 [1.29]	10.4 [.41]	88.3 [3.48]	10.3 [.41]	22.2 [.88]	4.4 [.17]	10.7 [.42]							
YALB185M12	185 (350)	2	M12	50.8 [2.00]	32.8 [1.29]	13.3 [.53]	94.7 [3.73]	13.5 [.53]	22.2 [.88]	4.4 [.17]	13.9 [.55]							
YALB185M14	185 (350)	2	M14	50.8 [2.00]	32.8 [1.29]	15.1 [.59]	95.2 [3.75]	14.0 [.55]	22.2 [.88]	4.4 [.17]	14.4 [.57]							
YALB185M16	185 (350)	2	M16	50.8 [2.00]	32.8 [1.29]	17.5 [.69]	101.0 [3.98]	16.7 [.66]	22.2 [.88]	4.4 [.17]	17.1 [.67]							
YALB185M20	185 (350)	2	M20	50.8 [2.00]	32.8 [1.29]	23.8 [.94]	112.2 [4.42]	22.2 [.88]	22.2 [.88]	4.4 [.17]	22.6 [.89]							
YALB240M10	240 (500)	2	M10	57.2 [2.25]	39.4 [1.55]	10.4 [.41]	97.9 [3.86]	10.3 [.41]	26.9 [1.06]	5.7 [.22]	10.7 [.42]	20	W34VT (4)	W34VT (4) W34RT (4)	U34RT (4)	Y644 (1) PAT644 (1) Y81KFT (4) PAT81KFT (4)	59	
YALB240M12	240 (500)	2	M12	57.2 [2.25]	39.4 [1.55]	13.3 [.53]	105.0 [4.14]	13.5 [.53]	26.9 [1.06]	5.7 [.22]	13.9 [.55]							
YALB240M14	240 (500)	2	M14	57.2 [2.25]	39.4 [1.55]	15.1 [.59]	106.0 [4.18]	14.0 [.55]	26.9 [1.06]	5.7 [.22]	14.4 [.57]							
YALB240M16	240 (500)	2	M16	57.2 [2.25]	39.4 [1.55]	17.5 [.69]	111.4 [4.39]	16.7 [.66]	26.9 [1.06]	5.7 [.22]	17.1 [.67]							
YALB240M20	240 (500)	2	M20	57.2 [2.25]	39.4 [1.55]	23.8 [.94]	122.5 [4.82]	22.2 [.88]	26.9 [1.06]	5.7 [.22]	22.6 [.89]							

REV	DATE	DESCRIPTION	ECO	BY	C'H'K.
D	05/16/2014	DRAWING RELEASED	36151	GN	MB

CONNECTOR SIZE	TOLERANCES					
	B	C	K DIA.	L	N	O.D.
015 - 6	± .8 [.03]	± 1.0 [.04]	± .5 [.02]	± 1.5 [.06]	± .8 [.03]	± .3 [.01]
10 - 50	± 1.5 [.06]	± 1.0 [.04]	± .5 [.02]	± 2.3 [.09]	± .8 [.03]	± .3 [.01]
70 - 240	± 2.0 [.08]	± 1.0 [.04]	± .5 [.02]	± 3.0 [.12]	± .8 [.03]	± .3 [.01]
300 & ABOVE	± 2.3 [.09]	± 1.5 [.06]	± .5 [.02]	± 3.8 [.15]	± 1.5 [.06]	± .3 [.01]

NOTES:
1. SEE SHEET 1 FOR NOTES.

TO ORDER BURNDY® PRODUCTS CALL		HYLUG™																					
UNITED STATES 1-800-346-4175 (LONDONDERRY, NH)		ITEM NO: --																					
CANADA: 1-800-361-6975 (QUEBEC) 1-800-387-6487 (ALL OTHER PROVINCES)		CAT. NO: SEE TABLE																					
FOR PRODUCT INFO: http://www.burndy.com		<table border="1"> <tr><td>DRAWN BY: A BHARATH</td><td>5/24/2013</td></tr> <tr><td>CHECKER: R ROMAN</td><td>5/29/2013</td></tr> <tr><td>DSN APRVL: R ROMAN</td><td>5/28/2013</td></tr> <tr><td>MFG APRVL: PASSARELLI J</td><td>5/27/2014</td></tr> <tr><td>QA APRVL: T WATTS</td><td>5/28/2013</td></tr> <tr><td>MKT APRVL: J SYLVIA</td><td>6/2/2013</td></tr> </table>		DRAWN BY: A BHARATH	5/24/2013	CHECKER: R ROMAN	5/29/2013	DSN APRVL: R ROMAN	5/28/2013	MFG APRVL: PASSARELLI J	5/27/2014	QA APRVL: T WATTS	5/28/2013	MKT APRVL: J SYLVIA	6/2/2013								
DRAWN BY: A BHARATH	5/24/2013																						
CHECKER: R ROMAN	5/29/2013																						
DSN APRVL: R ROMAN	5/28/2013																						
MFG APRVL: PASSARELLI J	5/27/2014																						
QA APRVL: T WATTS	5/28/2013																						
MKT APRVL: J SYLVIA	6/2/2013																						
<table border="1"> <tr><td>PROJ #:</td><td>---</td><td>SIZE:</td><td>B</td></tr> <tr><td>DOC TYPE:</td><td>SALES</td><td></td><td></td></tr> <tr><td>REL LEVEL:</td><td>Released</td><td></td><td></td></tr> </table>		PROJ #:	---	SIZE:	B	DOC TYPE:	SALES			REL LEVEL:	Released			<table border="1"> <tr><td>DRAWING NO</td><td>50025611</td><td>REV</td><td>D</td></tr> <tr><td colspan="2">SHEET 4 OF 5</td><td></td><td></td></tr> </table>		DRAWING NO	50025611	REV	D	SHEET 4 OF 5			
PROJ #:	---	SIZE:	B																				
DOC TYPE:	SALES																						
REL LEVEL:	Released																						
DRAWING NO	50025611	REV	D																				
SHEET 4 OF 5																							

CATALOG NUMBER	COPPER		BOLT SIZE	DIMENSIONS								DIE INDEX	INSTALLATION TOOLING (# OF CRIMPS)				WIRE STRIP LENGTH (mm)
	SIZE mm2 (AWG)	CLASS		B	C	K	L	N	O.D.	T REF.	Z MIN.		MECHANICAL	HYDRAULIC		DIELESS (# OF CRIMPS)	
													MD6, OUR840 MD7-34R	PAT600, Y500CTHS	Y35, Y39, Y750, Y46 PAT750		
YALB300M10	300 (600)	2	M10	68.3 [2.69]	44.2 [1.74]	10.4 [.41]	111.7 [4.40]	10.3 [.41]	28.4 [1.12]	6.6 [.26]	10.7 [.42]	22			U36RT (4)	Y644 (1) PAT644 (1) Y81KFT (4) PAT81KFT (4)	70
YALB300M12	300 (600)	2	M12	68.3 [2.69]	44.2 [1.74]	13.3 [.53]	118.0 [4.65]	13.5 [.53]	28.4 [1.12]	6.6 [.26]	13.9 [.55]						
YALB300M14	300 (600)	2	M14	68.3 [2.69]	44.2 [1.74]	15.1 [.59]	119.0 [4.69]	14.0 [.55]	28.4 [1.12]	6.6 [.26]	14.4 [.57]						
YALB300M16	300 (600)	2	M16	68.3 [2.69]	44.2 [1.74]	17.5 [.69]	124.4 [4.90]	16.7 [.66]	28.4 [1.12]	6.6 [.26]	17.1 [.67]						
YALB300M20	300 (600)	2	M20	68.3 [2.69]	44.2 [1.74]	23.8 [.94]	135.5 [5.33]	22.2 [.88]	28.4 [1.12]	6.6 [.26]	22.6 [.89]						
YALB400M12	400 (800)	2	M12	74.6 [2.94]	50.2 [1.98]	13.3 [.53]	126.9 [5.00]	13.5 [.53]	34.3 [1.35]	7.5 [.30]	13.9 [.55]	24			U39RT (4)	Y644 (1) PAT644 (1) Y81KFT (4) PAT81KFT (4)	76
YALB400M14	400 (800)	2	M14	74.6 [2.94]	50.2 [1.98]	15.1 [.59]	127.9 [5.04]	14.0 [.55]	34.3 [1.35]	7.5 [.30]	14.4 [.57]						
YALB400M16	400 (800)	2	M16	74.6 [2.94]	50.2 [1.98]	17.5 [.69]	133.3 [5.25]	16.7 [.66]	34.3 [1.35]	7.5 [.30]	17.1 [.67]						
YALB400M20	400 (800)	2	M20	74.6 [2.94]	50.2 [1.98]	23.8 [.94]	144.4 [5.69]	22.2 [.88]	34.3 [1.35]	7.5 [.30]	22.6 [.89]						
YALB500M12	500 (1000)	2	M12	76.2 [3.00]	55.7 [2.19]	13.3 [.53]	132.0 [5.20]	13.5 [.53]	38.1 [1.50]	8.2 [.32]	13.9 [.55]	L115			U44XRT (4)	Y644 (1) PAT644 (1) Y81KFT (4) PAT81KFT (4)	78
YALB500M16	500 (1000)	2	M16	76.2 [3.00]	55.7 [2.19]	17.5 [.69]	138.3 [5.45]	16.7 [.66]	38.1 [1.50]	8.2 [.32]	17.1 [.67]						
YALB500M20	500 (1000)	2	M20	76.2 [3.00]	55.7 [2.19]	23.8 [.94]	149.5 [5.88]	22.2 [.88]	38.1 [1.50]	8.2 [.32]	22.6 [.89]						
YALB630M12	630 (1250)	2	M12	81.0 [3.19]	62.5 [2.46]	13.3 [.53]	139.5 [5.49]	13.5 [.53]	42.9 [1.69]	9.5 [.38]	13.9 [.55]	29			P45RT (6)		83
YALB630M16	630 (1250)	2	M16	81.0 [3.19]	62.5 [2.46]	17.5 [.69]	145.9 [5.74]	16.7 [.66]	42.9 [1.69]	9.5 [.38]	17.1 [.67]						
YALB630M20	630 (1250)	2	M20	81.0 [3.19]	62.5 [2.46]	23.8 [.94]	157.0 [6.18]	22.2 [.88]	42.9 [1.69]	9.5 [.38]	22.6 [.89]						

REV	DATE	DESCRIPTION	ECO	BY	C'H'K.
D	05/16/2014	DRAWING RELEASED	36151	GN	MB

CONNECTOR SIZE	TOLERANCES					
	B	C	K DIA.	L	N	O.D.
015 - 6	± .8 [.03]	± 1.0 [.04]	± .5 [.02]	± 1.5 [.06]	± .8 [.03]	± .3 [.01]
10 - 50	± 1.5 [.06]	± 1.0 [.04]	± .5 [.02]	± 2.3 [.09]	± .8 [.03]	± .3 [.01]
70 - 240	± 2.0 [.08]	± 1.0 [.04]	± .5 [.02]	± 3.0 [.12]	± .8 [.03]	± .3 [.01]
300 & ABOVE	± 2.3 [.09]	± 1.5 [.06]	± .5 [.02]	± 3.8 [.15]	± 1.5 [.06]	± .3 [.01]

NOTES:
1. SEE SHEET 1 FOR NOTES.

TO ORDER BURNDY® PRODUCTS CALL		HYLUG™													
UNITED STATES 1-800-346-4175 (LONDONDERRY, NH)		ITEM NO: --													
CANADA: 1-800-361-6975 (QUEBEC) 1-800-387-6487 (ALL OTHER PROVINCES)		CAT. NO: SEE TABLE													
FOR PRODUCT INFO: http://www.burndy.com		<table border="1"> <tr> <td>DRAWN BY: A BHARATH</td> <td>5/24/2013</td> </tr> <tr> <td>CHECKER: R ROMAN</td> <td>5/29/2013</td> </tr> <tr> <td>DSN APRVL: R ROMAN</td> <td>5/28/2013</td> </tr> <tr> <td>MFG APRVL: PASSARELLI J</td> <td>5/27/2014</td> </tr> <tr> <td>QA APRVL: T WATTS</td> <td>5/28/2013</td> </tr> <tr> <td>MKT APRVL: J SYLVIA</td> <td>6/2/2013</td> </tr> </table>		DRAWN BY: A BHARATH	5/24/2013	CHECKER: R ROMAN	5/29/2013	DSN APRVL: R ROMAN	5/28/2013	MFG APRVL: PASSARELLI J	5/27/2014	QA APRVL: T WATTS	5/28/2013	MKT APRVL: J SYLVIA	6/2/2013
DRAWN BY: A BHARATH	5/24/2013														
CHECKER: R ROMAN	5/29/2013														
DSN APRVL: R ROMAN	5/28/2013														
MFG APRVL: PASSARELLI J	5/27/2014														
QA APRVL: T WATTS	5/28/2013														
MKT APRVL: J SYLVIA	6/2/2013														
PROJ FAM: --		DRAWING NO													
PROJECT #: --		50025611													
DOCUMENT TYPE: SALES		B													
REL LEVEL: Released		SHEET 5 OF 5													
		REV													
		D													