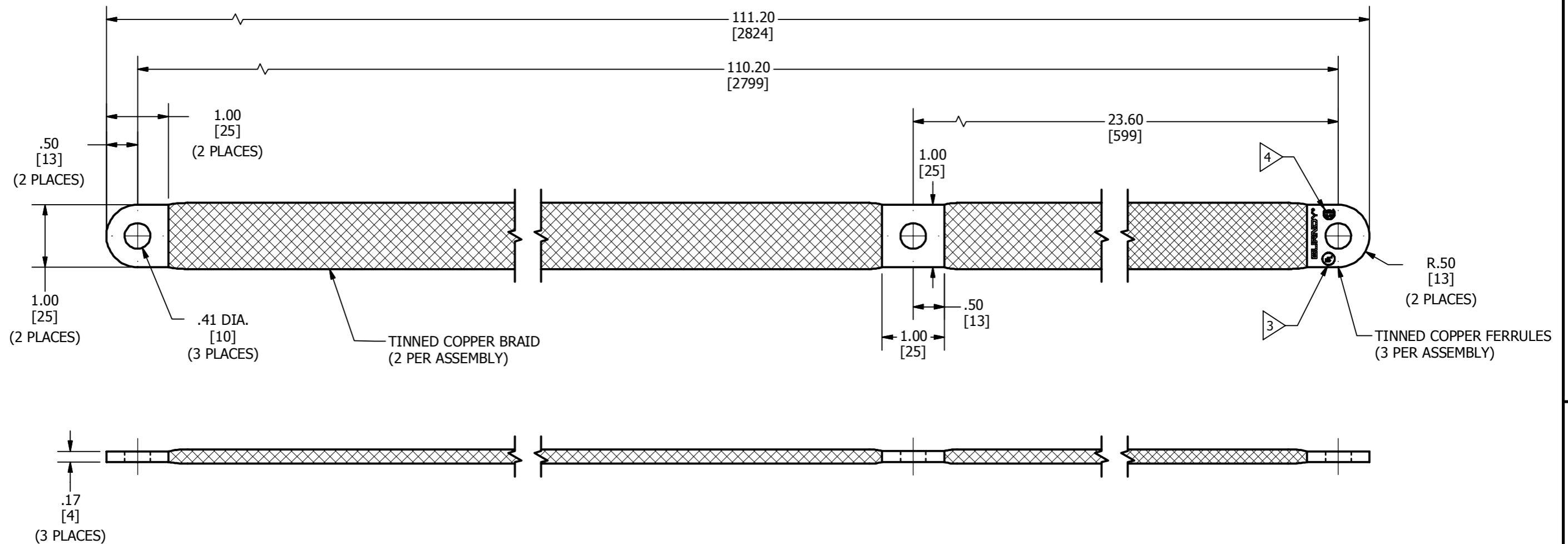


REV	DATE	DESCRIPTION	ECO	BY	C'H'K.
B	07/05/2013	UPDATED THE DRAWING	33131	RK	MB



NOTES:

1. APPROXIMATE AMP RATING: 300A. THIS RATING MAY VARY WITH AMBIENT CONDITIONS, ORIENTATION OF THE BRAID, AND OTHER SERVICE CONDITIONS.
2. DIMENSIONS IN BRACKETS [] ARE IN MILLIMETERS ROUNDED OFF TO THE NEAREST MILLIMETER, UNLESS OTHERWISE NOTED, AND ARE FOR REFERENCE ONLY.
- 3 LISTED TO UL 467 GROUNDING & BONDING EQUIPMENT STANDARDS.
- 4 LISTED TO CSA 22.2 NO.41 GROUNDING & BONDING EQUIPMENT STANDARDS.

TO ORDER BURNDY PRODUCTS CALL		BRAID	
UNITED STATES		ITEM NO: 50025761	
1-800-346-4175 (LONDONDERRY, NH)		CAT. NO: BB100L111D20G25TN	
CANADA:		DRAWN BY: YUVARAJ.M 05/25/2012	
1-800-361-6975 (QUEBEC)		CHECKER: T.REYNOLDS 06/04/2013	
1-800-387-6487 (ALL OTHER PROVINCES)		DSN APRVL: T.REYNOLDS 06/04/2013	
FOR PRODUCT INFO: http://www.burndy.com		MFG APRVL: L.TROMBLEY 06/05/2013	
		QA APRVL: J.BRODEUR 06/05/2013	
		MKT APRVL: K.ROBICHEAU 06/04/2013	
PROJ #:	SIZE	DRAWING NO	REV
DOCUMENT TYPE: SALES	B	50025762	B
REL LEVEL: Released		SHEET 1 OF 1	