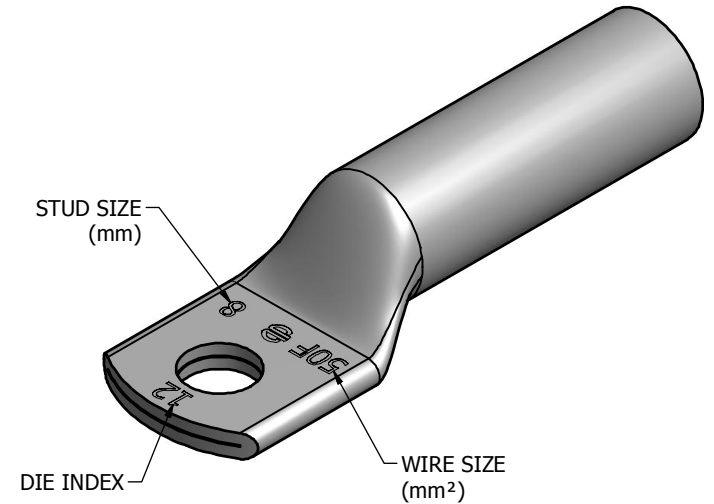
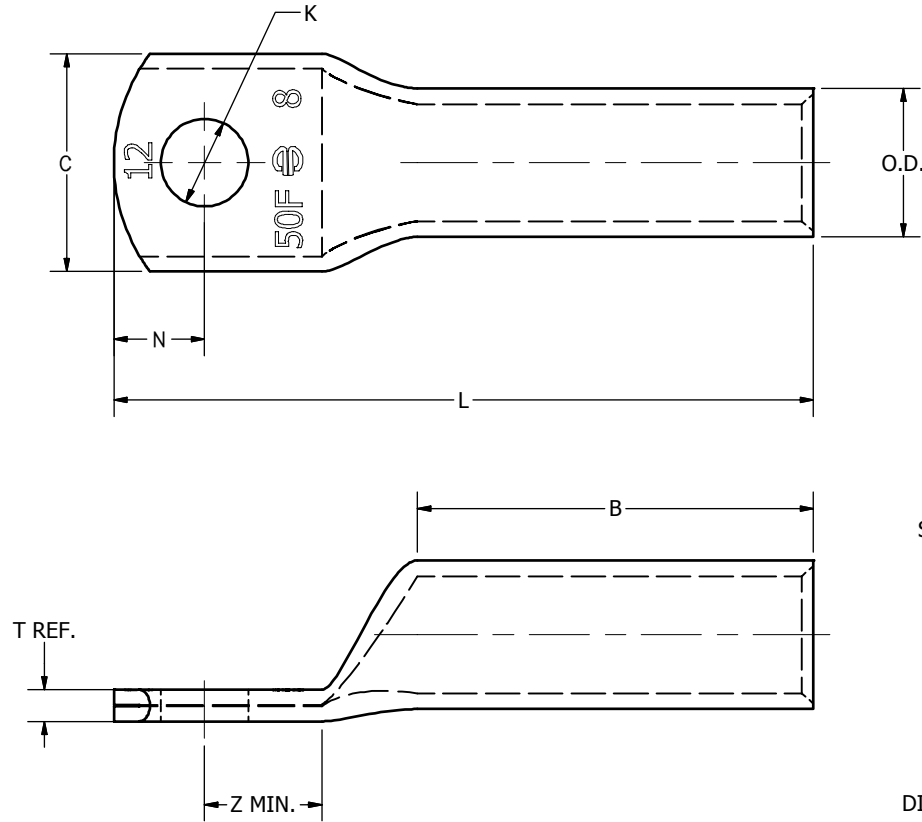


REV	DATE	DESCRIPTION	ECO	BY	C'H.K.
C	01/22/2014	UPDATED AS PER MARKUP	34580	MVP	MB



NOTES:

1. MATERIAL: COPPER TUBING.
2. FINISH: TIN PLATED.
3. DIMENSIONS IN BRACKETS [] ARE IN INCHES ROUNDED OFF TO THE NEAREST HUNDRETH, UNLESS OTHERWISE NOTED, AND ARE FOR REFERENCE ONLY.
4. CONNECTORS ARE COMPATIBLE WITH THE FOLLOWING STANDARDS:
IEC-61238-1, UL486A/B (USA), CSA-C22.2 No 65-03 (CANADA)
5. CATALOG # PUDAP-1 ADAPTOR IS REQUIRED TO USE 'U' DIES IN Y46 SERIES TOOLS.
6. USE THE EQUIVALENT AWG SETTING ON TOOL FOR INSTALLATION.

TO ORDER BURNDY® PRODUCTS CALL		HYLUG™	
UNITED STATES 1-800-346-4175 (LONDONDERRY, NH)		ITEM NO: --	
CANADA: 1-800-361-6975 (QUEBEC) 1-800-387-6487 (ALL OTHER PROVINCES)		CAT. NO: SEE TABLE	
FOR PRODUCT INFO: http://www.burndy.com		DRAWN BY: PARTIBAN B 05/27/2013	
		CHECKED BY: R ROMAN 05/29/2013	
		DSN APRVL: R ROMAN 05/28/2013	
		MFG APRVL: []	
		QA APRVL: T WATTS 05/28/2013	
		MKT APRVL: J SYLVIA 06/02/2013	
		PROD PART: []	
		PROJECT #: []	
		DOCUMENT TYPE: SALES	
		REF LEVEL: Released	
		SIZE: B	
		DRAWING NO: 50025865	
		REV: C	
		SHEET 1 OF 4	

CATALOG NUMBER	COPPER CONDUCTOR		BOLT SIZE	DIMENSIONS								DIE INDEX	INSTALLATION TOOLING (# OF CRIMPS)				WIRE STRIP LENGTH (mm)	
	SIZE mm ² (AWG)	CLASS		B	C	K	L	N	O.D.	T REF.	Z MIN.		MECHANICAL		HYDRAULIC			DIELESS (# OF CRIMPS)
													MD6, OUR840 MD7-34R	PAT600, Y500CTHS	Y35, Y39, Y750, Y46 PAT750			
YALB50FM6	50 (2)	5	M6	38.1 [1.50]	21.1 [.83]	6.9 [.27]	65.6 [2.58]	7.9 [.31]	14.3 [.56]	3.0 [.12]	8.4 [.33]	12	W25VT (4) W25RT (4) X25RT (4)	W25VT (4) W25RT (4) X25RT (4)	U25RT (2)	MY29-11 (2) MRC840 (4) Y644 (1) PAT644 (1) Y81KFT (2) PAT81KFT (1)	40	
YALB50FM8	50 (2)	5	M8	38.1 [1.50]	21.1 [.83]	8.4 [.33]	67.2 [2.65]	8.7 [.34]	14.3 [.56]	3.0 [.12]	9.1 [.36]							
YALB50FM10	50 (2)	5	M10	38.1 [1.50]	21.1 [.83]	10.4 [.41]	70.4 [2.77]	10.3 [.41]	14.3 [.56]	3.0 [.12]	10.7 [.42]							
YALB50FM12	50 (2)	5	M12	38.1 [1.50]	21.1 [.83]	13.5 [.53]	76.8 [3.02]	13.5 [.53]	14.3 [.56]	3.0 [.12]	14.0 [.55]							
YALB50FM14	50 (2)	5	M14	38.1 [1.50]	21.1 [.83]	15.0 [.59]	77.8 [3.06]	14.0 [.55]	14.3 [.56]	3.0 [.12]	14.5 [.57]							
YALB50FM16	50 (2)	5	M16	38.1 [1.50]	21.1 [.83]	17.5 [.69]	86.4 [3.40]	16.7 [.66]	14.3 [.56]	3.0 [.12]	17.0 [.67]							
YALB70FM5	70 (1/0)	5	M5	38.1 [1.50]	23.6 [.93]	5.3 [.21]	63.1 [2.49]	6.4 [.25]	16.1 [.63]	3.3 [.13]	6.8 [.27]	13	W26VT (4) W26RT (4) X26RT (4)	W26VT (4) W26RT (4) X26RT (4)	U26RT (2)	MY29-11 (2) MRC840 (4) Y644 (1) PAT644 (1) Y81KFT (2) PAT81KFT (2)	40	
YALB70FM6	70 (1/0)	5	M6	38.1 [1.50]	23.6 [.93]	6.9 [.27]	66.3 [2.61]	7.9 [.31]	16.1 [.63]	3.3 [.13]	8.4 [.33]							
YALB70FM8	70 (1/0)	5	M8	38.1 [1.50]	23.6 [.93]	8.4 [.33]	68.5 [2.70]	8.7 [.34]	16.1 [.63]	3.3 [.13]	9.1 [.36]							
YALB70FM10	70 (1/0)	5	M10	38.1 [1.50]	23.6 [.93]	10.4 [.41]	71.7 [2.82]	10.3 [.41]	16.1 [.63]	3.3 [.13]	10.7 [.42]							
YALB70FM12	70 (1/0)	5	M12	38.1 [1.50]	23.6 [.93]	13.5 [.53]	78.0 [3.07]	13.5 [.53]	16.1 [.63]	3.3 [.13]	14.0 [.55]							
YALB70FM14	70 (1/0)	5	M14	38.1 [1.50]	23.6 [.93]	15.0 [.59]	79.0 [3.11]	14.0 [.55]	16.1 [.63]	3.3 [.13]	14.5 [.57]							
YALB95FM8	95 (2/0)	5	M8	38.1 [1.50]	26.0 [1.03]	8.4 [.33]	68.9 [2.71]	8.6 [.34]	18.0 [.70]	4.0 [.14]	9.1 [.36]	14	W27VT (4) W27RT (4) X27RT (6)	W27VT (4) W27RT (4) X27RT (6)	U27RT (2)	MY29-11 (2) MRC840 (4) Y644 (1) PAT644 (1) Y81KFT (2) PAT81KFT (2)	40	
YALB95FM10	95 (2/0)	5	M10	38.1 [1.50]	26.0 [1.03]	10.4 [.41]	72.0 [2.84]	10.4 [.41]	18.0 [.70]	4.0 [.14]	10.7 [.42]							
YALB95FM12	95 (2/0)	5	M12	38.1 [1.50]	26.0 [1.03]	13.5 [.53]	78.5 [3.09]	13.0 [.53]	18.0 [.70]	4.0 [.14]	14.0 [.55]							
YALB95FM14	95 (2/0)	5	M14	38.1 [1.50]	26.0 [1.03]	15.0 [.59]	79.5 [3.13]	14.0 [.55]	18.0 [.70]	4.0 [.14]	14.5 [.57]							
YALB95FM16	95 (2/0)	5	M16	38.1 [1.50]	26.0 [1.03]	17.5 [.69]	84.7 [3.34]	16.7 [.66]	18.0 [.70]	4.0 [.14]	17.0 [.67]							
YALB95FM20	95 (2/0)	5	M20	38.1 [1.50]	26.0 [1.03]	23.8 [.94]	95.9 [3.78]	22.4 [.88]	18.0 [.70]	4.0 [.14]	22.6 [.89]							

REV	DATE	DESCRIPTION	ECO	BY	CH'K.
C	01/22/2014	UPDATED AS PER MARKUP	34580	MVP	MB

CONNECTOR SIZE	TOLERANCES					
	B	C	K DIA.	L	N	O.D.
015 - 6	±.8 [.03]	±1.0 [.04]	±.5 [.02]	±1.5 [.06]	±.8 [.03]	±.3 [.01]
10 - 50	±1.5 [.06]	±1.0 [.04]	±.5 [.02]	±2.3 [.09]	±.8 [.03]	±.3 [.01]
70 - 240	±2.0 [.08]	±1.0 [.04]	±.5 [.02]	±3.0 [.12]	±.8 [.03]	±.3 [.01]
300 & ABOVE	±2.3 [.09]	±1.5 [.06]	±.5 [.02]	±3.8 [.15]	±1.5 [.06]	±.3 [.01]

NOTES:
1. SEE SHEET 1 FOR NOTES.

TO ORDER BURNDY® PRODUCTS CALL		HYLUG™	
UNITED STATES 1-800-346-4175 (LONDONDERRY, NH)		ITEM NO: --	
CANADA: 1-800-361-6975 (QUEBEC) 1-800-387-6487 (ALL OTHER PROVINCES)		CAT. NO: SEE TABLE	
FOR PRODUCT INFO: http://www.burndy.com		DRAWING BY: PARTHIBAN B 05/27/2013	
		CHECKER: R ROMAN 05/29/2013	
		DSN APRVL: R ROMAN 05/28/2013	
		MFG APRVL: _____	
		QA APRVL: T WATTS 05/28/2013	
		MKT APRVL: J SYLVIA 06/02/2013	
		PROJ PART: _____	
		PROJECT #: _____	
		DOCUMENT TYPE: SALES	
		SIZE: B	
		DRAWING NO: 50025865	
		REV: C	
		SHEET 2 OF 4	

CATALOG NUMBER	COPPER CONDUCTOR		BOLT SIZE	DIMENSIONS								DIE INDEX	INSTALLATION TOOLING (# OF CRIMPS)				WIRE STRIP LENGTH (mm)	REV	DATE	DESCRIPTION	ECO	BY	CH'K.	
	SIZE mm2 (AWG)	CLASS		B	C	K	L	N	O.D.	T REF.	Z MIN.		MECHANICAL		HYDRAULIC			DIELESS (# OF CRIMPS)	C	01/22/2014	UPDATED AS PER MARKUP	34580	MVP	MB
													MD6, OUR840 MD7-34R	PAT600, Y500CTHS	Y35, Y39, Y750, Y46 PAT750									
YALB120FM8	120 (4/0)	5	M8	41.1 [1.62]	29.0 [1.14]	8.4 [33]	74.0 [2.91]	8.7 [34]	19.6 [77]	3.7 [15]	9.1 [36]	15	W28VT (4) W28RT (4) X28RT (6)	W28VT (4) W28RT (4) X28RT (6)	U28RT (2)	MY29-11 (2) MRC840 (4) Y644 (1) PAT644 (1) Y81KFT (2) PAT81KFT (2)	43							
YALB120FM10	120 (4/0)	5	M10	41.1 [1.62]	29.0 [1.14]	10.4 [41]	79.6 [3.13]	10.4 [41]	19.6 [77]	3.7 [15]	10.7 [42]													
YALB120FM12	120 (4/0)	5	M12	41.1 [1.62]	29.0 [1.14]	13.5 [53]	83.5 [3.29]	13.5 [53]	19.6 [77]	3.7 [15]	14.0 [55]													
YALB120FM14	120 (4/0)	5	M14	41.1 [1.62]	29.0 [1.14]	15.0 [59]	84.5 [3.33]	14.0 [55]	19.6 [77]	3.7 [15]	14.5 [57]													
YALB120FM16	120 (4/0)	5	M16	41.1 [1.62]	29.0 [1.14]	17.5 [69]	89.9 [3.54]	16.7 [66]	19.6 [77]	3.7 [15]	17.0 [67]													
YALB120FM20	120 (4/0)	5	M20	41.1 [1.62]	30.5 [1.20]	23.8 [94]	101.0 [3.98]	22.2 [88]	19.6 [77]	4.3 [17]	22.6 [89]													
YALB150FM8	150 (262)	5	M8	50.8 [2.00]	32.8 [1.29]	8.4 [33]	85.2 [3.35]	8.7 [34]	22.2 [88]	4.4 [17]	9.1 [36]	17	W30VT (4) W30RT (4)	W30VT (4) W30RT (4)	U30RT (4)	Y644 (1) PAT644 (1) Y81KFT (3) PAT81KFT (3)	52							
YALB150FM10	150 (262)	5	M10	50.8 [2.00]	32.8 [1.29]	10.4 [41]	88.3 [3.48]	10.4 [41]	22.2 [88]	4.4 [17]	10.7 [42]													
YALB150FM12	150 (262)	5	M12	50.8 [2.00]	32.8 [1.29]	13.5 [53]	94.7 [3.73]	13.5 [53]	22.2 [88]	4.4 [17]	14.0 [55]													
YALB150FM14	150 (262)	5	M14	50.8 [2.00]	32.8 [1.29]	15.0 [59]	95.2 [3.75]	14.0 [55]	22.2 [88]	4.4 [17]	14.5 [57]													
YALB150FM16	150 (262)	5	M16	50.8 [2.00]	32.8 [1.29]	17.5 [69]	101.0 [3.98]	16.7 [66]	22.2 [88]	4.4 [17]	17.0 [67]													
YALB150FM20	150 (262)	5	M20	50.8 [2.00]	32.8 [1.29]	23.8 [94]	112.2 [4.42]	22.2 [88]	22.2 [88]	4.4 [17]	22.6 [89]													
YALB185FM8	185 (300)	5	M8	53.8 [2.12]	35.6 [1.40]	8.4 [33]	88.5 [3.49]	8.7 [34]	24.1 [95]	5.0 [19]	9.1 [36]	18	W31VT (4) W31RT (4)	W31VT (4) W31RT (4)	U31RT (4)	Y644 (1) PAT644 (1) Y81KFT (3) PAT81KFT (3)	52							
YALB185FM10	185 (300)	5	M10	53.8 [2.12]	35.6 [1.40]	10.4 [41]	91.6 [3.61]	10.4 [41]	24.1 [95]	5.0 [19]	10.7 [42]													
YALB185FM12	185 (300)	5	M12	53.8 [2.12]	35.6 [1.40]	13.5 [53]	98.1 [3.86]	13.5 [53]	24.1 [95]	5.0 [19]	14.0 [55]													
YALB185FM14	185 (300)	5	M14	53.8 [2.12]	35.6 [1.40]	15.0 [59]	99.1 [3.90]	14.0 [55]	24.1 [95]	5.0 [19]	14.5 [57]													
YALB185FM16	185 (300)	5	M16	53.8 [2.12]	35.6 [1.40]	17.5 [69]	104.3 [4.11]	16.7 [66]	24.1 [95]	5.0 [19]	17.0 [67]													
YALB185FM20	185 (300)	5	M20	53.8 [2.12]	35.6 [1.40]	23.8 [94]	115.5 [4.55]	22.2 [88]	24.1 [95]	5.0 [19]	22.6 [89]													

CONNECTOR SIZE	TOLERANCES					
	B	C	K DIA.	L	N	O.D.
015 - 6	±.8 [.03]	±1.0 [.04]	±.5 [.02]	±1.5 [.06]	±.8 [.03]	±.3 [.01]
10 - 50	±1.5 [.06]	±1.0 [.04]	±.5 [.02]	±2.3 [.09]	±.8 [.03]	±.3 [.01]
70 - 240	±2.0 [.08]	±1.0 [.04]	±.5 [.02]	±3.0 [.12]	±.8 [.03]	±.3 [.01]
300 & ABOVE	±2.3 [.09]	±1.5 [.06]	±.5 [.02]	±3.8 [.15]	±1.5 [.06]	±.3 [.01]

NOTES:
1. SEE SHEET 1 FOR NOTES.

TO ORDER BURNDY® PRODUCTS CALL		HYLUG™	
UNITED STATES 1-800-346-4175 (LONDONDERRY, NH)		ITEM NO: --	
CANADA: 1-800-361-6975 (QUEBEC) 1-800-387-6487 (ALL OTHER PROVINCES)		CAT. NO: SEE TABLE	
FOR PRODUCT INFO: http://www.burndy.com		DRAWN BY: PARTIBIAN B 05/27/2013	
		CHECKED BY: R ROMAN 05/29/2013	
		DSN APRVL: R ROMAN 05/28/2013	
		MFG APRVL: _____	
		QA APRVL: T WATTS 05/28/2013	
		MKT APRVL: J SYLVIA 06/02/2013	
		PROJ PART: _____	
		PROJECT #: _____	
		DOCUMENT TYPE: SALES	
		SIZE: B	
		DRAWING NO: 50025865	
		REV: C	
		SHEET 3 OF 4	

CATALOG NUMBER	COPPER CONDUCTOR		BOLT SIZE	DIMENSIONS							DIE INDEX	INSTALLATION TOOLING (# OF CRIMPS)				WIRE STRIP LENGTH (mm)		
	SIZE mm2 (AWG)	CLASS		B	C	K	L	N	O.D.	T REF.		Z MIN.	MECHANICAL		HYDRAULIC		DIELESS (# OF CRIMPS)	
													MD6, OUR840 MD7-34R	PAT600, Y500CTHS	Y35, Y39, Y750, Y46 PAT750			
YALB240FM10	240 (350)	5	M10	57.2 [2.25]	39.4 [1.55]	10.4 [41]	97.9 [3.86]	10.4 [41]	26.9 [1.06]	5.7 [22]	10.7 [42]	20	W34VT (4)	W34RT (4)	U34RT (4)	Y644 (1) PAT644 (1) Y81KFT (4) PAT81KFT (4)	59	
YALB240FM12	240 (350)	5	M12	57.2 [2.25]	39.4 [1.55]	13.5 [53]	105.0 [4.14]	13.5 [53]	26.9 [1.06]	5.7 [22]	14.0 [55]							
YALB240FM14	240 (350)	5	M14	57.2 [2.25]	39.4 [1.55]	15.0 [59]	106.0 [4.18]	14.0 [55]	26.9 [1.06]	5.7 [22]	14.5 [57]							
YALB240FM16	240 (350)	5	M16	57.2 [2.25]	39.4 [1.55]	17.5 [69]	111.4 [4.39]	16.7 [66]	26.9 [1.06]	5.7 [22]	17.0 [67]							
YALB240FM20	240 (350)	5	M20	57.2 [2.25]	39.4 [1.55]	23.8 [94]	122.5 [4.82]	22.2 [88]	26.9 [1.06]	5.7 [22]	22.6 [89]							
YALB300FM10	300 (500)	5	M10	71.4 [2.81]	47.0 [1.84]	10.4 [41]	114.7 [4.52]	10.4 [41]	32.0 [1.25]	7.0 [27]	10.7 [42]	22	--	--	U36RT (4)	Y644 (1) PAT644 (1) Y81KFT (4) PAT81KFT (4)	73	
YALB300FM12	300 (500)	5	M12	71.4 [2.81]	47.0 [1.84]	13.5 [53]	121.2 [4.77]	13.5 [53]	32.0 [1.25]	7.0 [27]	14.0 [55]							
YALB300FM14	300 (500)	5	M14	71.4 [2.81]	47.0 [1.84]	15.0 [59]	122.2 [4.81]	14.0 [55]	32.0 [1.25]	7.0 [27]	14.5 [57]							
YALB300FM16	300 (500)	5	M16	71.4 [2.81]	47.0 [1.84]	17.5 [69]	127.4 [5.02]	16.7 [66]	32.0 [1.25]	7.0 [27]	17.0 [67]							
YALB300FM20	300 (500)	5	M20	71.4 [2.81]	47.0 [1.84]	23.8 [94]	138.6 [5.46]	22.2 [88]	32.0 [1.25]	7.0 [27]	22.6 [89]							
YALB400FM12	400 (650)	5	M12	74.6 [2.94]	50.2 [1.98]	13.5 [53]	126.9 [5.00]	13.5 [53]	34.3 [1.35]	7.5 [30]	14.0 [55]	24	--	--	U39RT (4)	Y644 (1) PAT644 (1) Y81KFT (4) PAT81KFT (4)	76	
YALB400FM14	400 (650)	5	M14	74.6 [2.94]	50.2 [1.98]	15.0 [59]	127.9 [5.04]	14.0 [55]	34.3 [1.35]	7.5 [30]	14.5 [57]							
YALB400FM16	400 (650)	5	M16	74.6 [2.94]	50.2 [1.98]	17.5 [69]	133.3 [5.25]	16.7 [66]	34.3 [1.35]	7.5 [30]	17.0 [67]							
YALB400FM20	400 (650)	5	M20	74.6 [2.94]	50.2 [1.98]	23.8 [94]	144.4 [5.69]	22.2 [88]	34.3 [1.35]	7.5 [30]	22.6 [89]							
YALB500FM12	500 (750)	5	M12	76.2 [3.00]	55.7 [2.19]	13.5 [53]	132.0 [5.20]	13.5 [53]	38.1 [1.50]	8.2 [32]	14.0 [55]	L115	--	--	U44XRT (4)	Y644 (1) PAT644 (1) Y81KFT (4) PAT81KFT (4)	78	
YALB500FM16	500 (750)	5	M16	76.2 [3.00]	55.7 [2.19]	17.5 [69]	138.3 [5.45]	16.7 [66]	38.1 [1.50]	8.2 [32]	17.0 [67]							
YALB500FM20	500 (750)	5	M20	76.2 [3.00]	55.7 [2.19]	23.8 [94]	149.5 [5.88]	22.2 [88]	38.1 [1.50]	8.2 [32]	22.6 [89]							
YALB630FM12	630	5	M12	81.0 [3.19]	68.3 [2.69]	13.5 [53]	140.5 [5.53]	13.5 [53]	46.7 [1.84]	9.9 [39]	14.0 [55]	31	--	--	P46RT (6)	--	83	
YALB630FM16	630	5	M16	81.0 [3.19]	68.3 [2.69]	17.5 [69]	146.7 [5.78]	16.7 [66]	46.7 [1.84]	9.9 [39]	17.0 [67]							
YALB630FM20	630	5	M20	81.0 [3.19]	68.3 [2.69]	23.8 [94]	157.9 [6.22]	22.2 [88]	46.7 [1.84]	9.9 [39]	22.6 [89]							

REV	DATE	DESCRIPTION	ECO	BY	C'H.K.
C	01/22/2014	UPDATED AS PER MARKUP	34580	MVP	MB

CONNECTOR SIZE	TOLERANCES					
	B	C	K DIA.	L	N	O.D.
015 - 6	± .8 [.03]	± 1.0 [.04]	± .5 [.02]	± 1.5 [.06]	± .8 [.03]	± 3 [.01]
10 - 50	± 1.5 [.06]	± 1.0 [.04]	± .5 [.02]	± 2.3 [.09]	± .8 [.03]	± 3 [.01]
70 - 240	± 2.0 [.08]	± 1.0 [.04]	± .5 [.02]	± 3.0 [.12]	± .8 [.03]	± 3 [.01]
300 & ABOVE	± 2.3 [.09]	± 1.5 [.06]	± .5 [.02]	± 3.8 [.15]	± 1.5 [.06]	± 3 [.01]

NOTES:
1. SEE SHEET 1 FOR NOTES.

TO ORDER BURNDY® PRODUCTS CALL		HYLUG™	
UNITED STATES 1-800-346-4175 (LONDONDERRY, NH)		ITEM NO: --	
CANADA: 1-800-361-6975 (QUEBEC) 1-800-387-6487 (ALL OTHER PROVINCES)		CAT. NO: SEE TABLE	
FOR PRODUCT INFO: http://www.burndy.com		DRAWN BY: PARTIBAN B 05/27/2013	
		CHECKED BY: R ROMAN 05/29/2013	
		DSN APRVL: R ROMAN 05/28/2013	
		MFG APRVL: _____	
		QA APRVL: T WATTS 05/28/2013	
		MKT APRVL: J SYLVIA 06/02/2013	
		PROJECT #:	
		SIZE	
		DOCUMENT TYPE: SALES	
		REV	
		50025865	
		SHEET 4 OF 4	
		C	