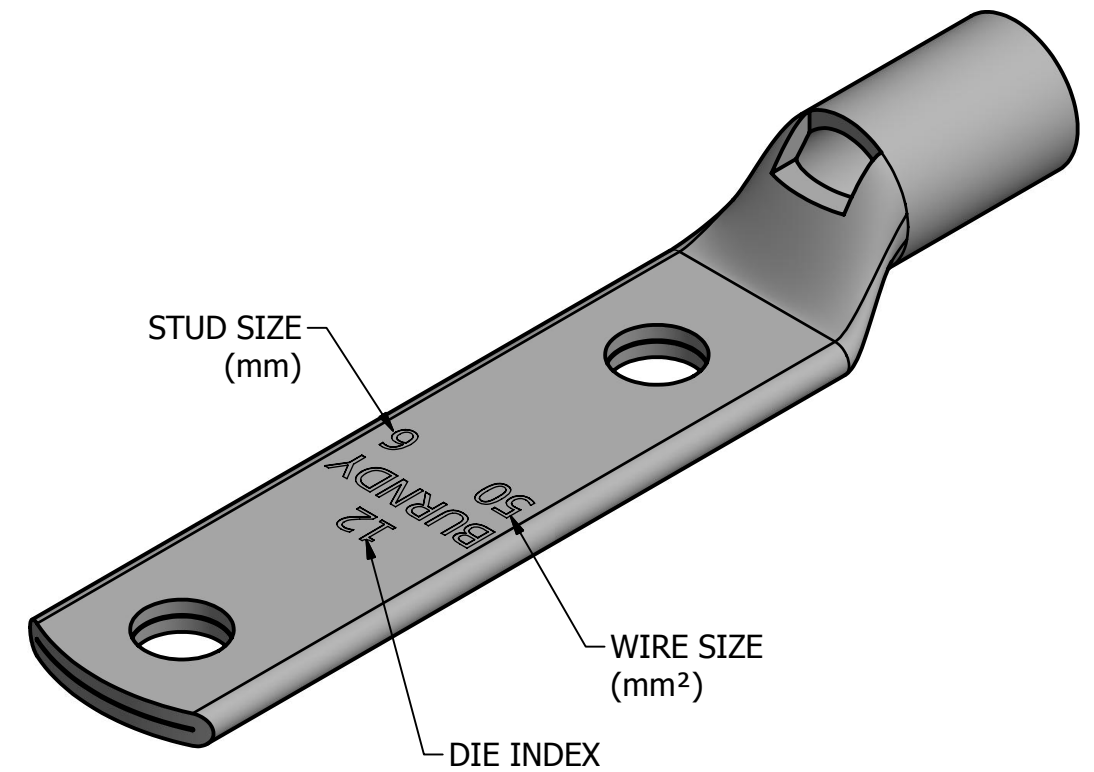
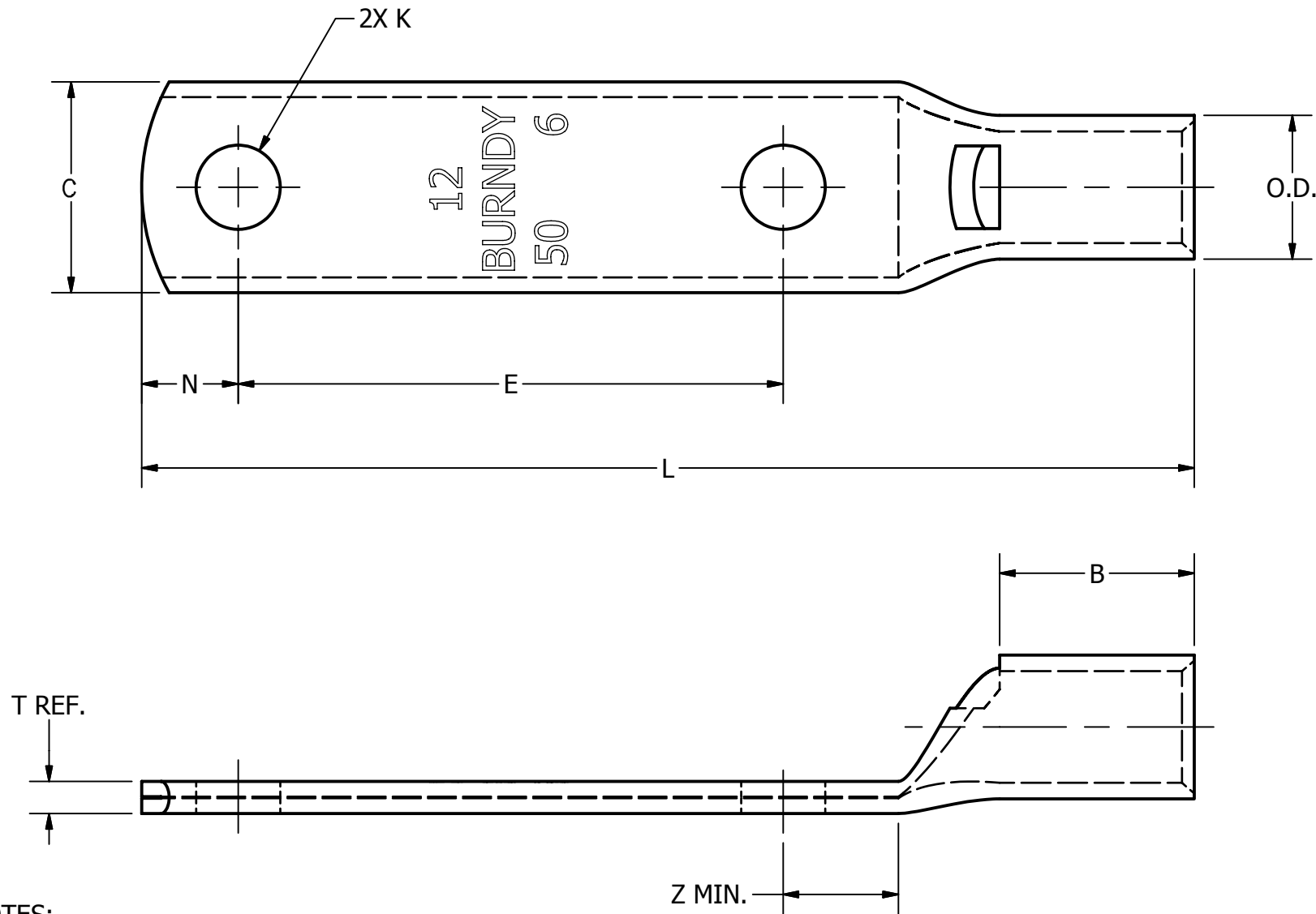


REV	DATE	DESCRIPTION	ECO	BY	C'H'K.
K	09/23/2016	DRAWING RELEASED	44214	CV	MB



NOTES:

1. MATERIAL: COPPER TUBING.
2. FINISH: TIN PLATED.
3. DIMENSIONS IN BRACKETS [] ARE IN INCHES ROUNDED OFF TO THE NEAREST HUNDRETH, UNLESS OTHERWISE NOTED, AND ARE FOR REFERENCE ONLY.
4. CONNECTORS ARE COMPATIBLE WITH THE FOLLOWING STANDARDS:
IEC-61238-1, UL486A/B (USA), CSA-C22.2 No 65-03 (CANADA)
5. CATALOG # PUDAP-1 ADAPTOR IS REQUIRED TO USE 'U' DIES IN Y46 SERIES TOOLS.
6. USE THE EQUIVALENT AWG SETTING ON TOOL FOR INSTALLATION.
7. FOR SILVER PLATING, ADD -SV TO END OF CATALOG NUMBER.

TO ORDER BURNDY® PRODUCTS CALL		HYLUG™	
UNITED STATES 1-800-346-4175 (LONDONDERRY, NH)		ITEM NO: --	
CANADA: 1-800-361-6975 (QUEBEC) 1-800-387-6487 (ALL OTHER PROVINCES)		CAT. NO: SEE TABLE	
FOR PRODUCT INFO: http://www.burndy.com		DRAWN BY: PARTHIBAN B 5/28/2013	
		CHECKER: R ROMAN 6/5/2013	
		DSN APRVL: R ROMAN 6/5/2013	
		MFG APRVL:	
		QA APRVL: T WATTS 6/5/2013	
		MKT APRVL: J SYLVIA 6/5/2013	
PROD FAM:	PROJECT #:	SIZE:	DRAWING NO:
	SALES	B	50025887
REL LEVEL: Released			SHEET 1 OF 5
			REV: K

CATALOG NUMBER	COPPER CONDUCTOR		BOLT SIZE	DIMENSIONS									DIE INDEX	INSTALLATION TOOLING (# OF CRIMPS)				WIRE STRIP LENGTH (mm)	
	SIZE mm ² (AWG)	CLASS		B	C	E	K	L	N	O.D.	T REF.	Z MIN.		MECHANICAL		HYDRAULIC			DIELESS (# OF CRIMPS)
														MD6, OUR840 MD7-34R	PAT600, Y500CTHS	Y35, Y39, Y750, Y46 PAT750			
YAV0252M3	1.5 - 2.5 (20 - 14)	2, 5	M3	6.7 [.27]	7.9 [.31]	25.4 [1.00]	3.8 [.15]	44.7 [1.76]	4.0 [.16]	4.1 [.16]	1.0 [.04]	6.1 [.24]	--	--	--	--	Y10D (1) Y10-22 (1) MR8G98 (1) MR8-9Q (1) Y8MRB-1 (1) MR20 (1)	7	
YAV0252M4	1.5 - 2.5 (20 - 14)	2, 5	M4	6.7 [.27]	7.9 [.31]	25.4 [1.00]	4.3 [.17]	44.7 [1.76]	4.0 [.16]	4.1 [.16]	1.0 [.04]	6.1 [.24]	--	--	--	--			
YAV0252M5	1.5 - 2.5 (20 - 14)	2, 5	M5	6.7 [.27]	7.9 [.31]	25.4 [1.00]	5.3 [.21]	44.7 [1.76]	4.0 [.16]	4.1 [.16]	1.0 [.04]	6.1 [.24]	--	--	--	--			
YAV0252M6	1.5 - 2.5 (20 - 14)	2, 5	M6	6.7 [.27]	10.7 [.42]	25.4 [1.00]	6.9 [.27]	49.8 [1.96]	6.4 [.25]	4.1 [.16]	.8 [.03]	8.1 [.32]	--	--	--	--			
YAV0252M8	1.5 - 2.5 (20 - 14)	2, 5	M8	6.7 [.27]	11.0 [.44]	25.4 [1.00]	8.4 [.33]	49.8 [1.96]	6.4 [.25]	4.1 [.16]	.8 [.03]	8.1 [.32]	--	--	--	--			
YAV062M4	4 - 6 (12 - 10)	2, 5	M4	10.4 [.41]	9.5 [.38]	25.4 [1.00]	4.3 [.17]	49.5 [1.95]	4.8 [.19]	5.3 [.21]	1.5 [.06]	6.5 [.26]	--	--	--	--	Y10D (1) Y10-22 (1) MR8G98 (1) MR8-9Q (1) Y8MRB-1 (1) MR20 (1)	11	
YAV062M5	4 - 6 (12 - 10)	2, 5	M5	10.4 [.41]	9.5 [.38]	25.4 [1.00]	5.3 [.21]	49.5 [1.95]	4.8 [.19]	5.3 [.21]	1.5 [.06]	6.5 [.26]	--	--	--	--			
YAV062M6	4 - 6 (12 - 10)	2, 5	M6	10.4 [.41]	11.9 [.47]	25.4 [1.00]	6.9 [.27]	52.6 [2.07]	5.8 [.23]	5.3 [.21]	1.3 [.05]	8.5 [.34]	--	--	--	--			
YAV062M8	4 - 6 (12 - 10)	2, 5	M8	10.4 [.41]	13.5 [.53]	25.4 [1.00]	8.4 [.33]	54.4 [2.14]	6.9 [.27]	5.3 [.21]	1.0 [.04]	8.5 [.34]	--	--	--	--			
YAV062M10	4 - 6 (12 - 10)	2, 5	M10	9.5 [.38]	14.2 [.56]	25.4 [1.00]	10.4 [.41]	56.4 [2.22]	7.1 [.28]	5.3 [.21]	1.0 [.04]	9.3 [.37]	--	--	--	--			
YAV102M4	10 (8)	2, 5	M4	11.2 [.44]	10.4 [.41]	44.5 [1.75]	4.3 [.17]	73.4 [2.89]	5.1 [.20]	6.9 [.27]	2.0 [.08]	5.9 [.23]	49	W8CVT (1) W8CRT (1) X8CRT (1)	W8CVT (1) W8CRT (1) X8CRT (1)	U8CRT (1)	Y1MRTC (1) MY29-11 (1) MRC840 (1) Y81KFT (1) PAT81KFT (1)	11	
YAV102M5	10 (8)	2, 5	M5	11.2 [.44]	10.4 [.41]	44.5 [1.75]	5.3 [.21]	75.0 [2.95]	5.1 [.20]	6.9 [.27]	1.8 [.07]	6.8 [.27]							
YAV102M6	10 (8)	2, 5	M6	11.2 [.44]	12.0 [.46]	44.5 [1.75]	6.9 [.27]	78.2 [3.08]	5.8 [.23]	6.9 [.27]	1.8 [.07]	8.4 [.33]							
YAV102M8	10 (8)	2, 5	M8	11.2 [.44]	13.2 [.52]	44.5 [1.75]	8.4 [.33]	79.8 [3.14]	7.2 [.28]	6.9 [.27]	1.5 [.06]	9.1 [.36]							
YAV102M10	10 (8)	2, 5	M10	11.2 [.44]	14.5 [.57]	44.5 [1.75]	10.4 [.41]	83.0 [3.27]	7.1 [.28]	6.9 [.27]	1.3 [.05]	10.7 [.42]							
YAV102M12	10 (8)	2, 5	M12	11.2 [.44]	18.5 [.73]	44.5 [1.75]	13.5 [.53]	89.3 [3.52]	9.7 [.38]	6.9 [.27]	1.3 [.05]	13.9 [.55]							
YAV162M4	16 (6)	2, 5	M4	12.7 [.50]	12.2 [.48]	44.5 [1.75]	4.6 [.18]	76.1 [3.00]	5.6 [.22]	7.9 [.31]	2.3 [.09]	5.9 [.23]	7	W5CVT (1) W5CRT (1) X5CRT (1)	W5CVT (1) W5CRT (1) X5CRT (1)	U5CRT (1)	Y1MRTC (1) MY29-11 (1) MRC840 (1) Y644 (1) PAT644 (1) Y81KFT (1) PAT81KFT (1)	13	
YAV162M5	16 (6)	2, 5	M5	12.7 [.50]	12.2 [.48]	44.5 [1.75]	5.3 [.21]	77.7 [3.06]	6.4 [.25]	7.9 [.31]	2.0 [.08]	6.8 [.27]							
YAV162M6	16 (6)	2, 5	M6	12.7 [.50]	12.2 [.48]	44.5 [1.75]	6.9 [.27]	80.9 [3.19]	6.1 [.24]	7.9 [.31]	2.0 [.08]	8.4 [.33]							
YAV162M8	16 (6)	2, 5	M8	12.7 [.50]	14.7 [.58]	44.5 [1.75]	8.4 [.33]	82.5 [3.25]	7.6 [.30]	7.9 [.31]	1.5 [.06]	9.1 [.36]							
YAV162M10	16 (6)	2, 5	M10	12.7 [.50]	14.7 [.58]	44.5 [1.75]	10.4 [.41]	85.7 [3.37]	10.4 [.41]	7.9 [.31]	1.5 [.06]	10.7 [.42]							
YAV162M12	16 (6)	2, 5	M12	12.7 [.50]	19.1 [.75]	44.5 [1.75]	13.2 [.52]	92.0 [3.62]	13.5 [.53]	7.9 [.31]	3.0 [.12]	13.9 [.55]							

REV	DATE	DESCRIPTION	ECO	BY	C'H'K.
K	09/23/2016	DRAWING RELEASED	44214	CV	MB

CONNECTOR SIZE	TOLERANCES						
	B	C	E	K DIA.	L	N	O.D.
015 - 6	± .8 [.03]	± 1.0 [.04]	± .5 [.02]	± .5 [.02]	± 1.5 [.06]	± .8 [.03]	± .3 [.01]
10 - 50	± 1.5 [.06]	± 1.0 [.04]	± .5 [.02]	± .5 [.02]	± 2.3 [.09]	± .8 [.03]	± .3 [.01]
70 - 240	± 2.0 [.08]	± 1.0 [.04]	± .5 [.02]	± .5 [.02]	± 3.0 [.12]	± .8 [.03]	± .3 [.01]
300 & ABOVE	± 2.3 [.09]	± 1.5 [.06]	± .5 [.02]	± .5 [.02]	± 3.8 [.15]	± 1.5 [.06]	± .3 [.01]

NOTES:
1. SEE SHEET 1 FOR NOTES.

TO ORDER BURNDY® PRODUCTS CALL		HYLUG™	
UNITED STATES 1-800-346-4175 (LONDONDERRY, NH)		ITEM NO: --	
CANADA: 1-800-361-6975 (QUEBEC) 1-800-387-6487 (ALL OTHER PROVINCES)		CAT. NO: SEE TABLE	
FOR PRODUCT INFO: http://www.burndy.com		DRAWN BY: PARTHIBAN B 5/28/2013	
		CHECKER: R ROMAN 6/5/2013	
		DSN APRVL: R ROMAN 6/5/2013	
		MFG APRVL: 6/5/2013	
		QA APRVL: T WATTS 6/5/2013	
		MKT APRVL: J SYLVIA 6/5/2013	
		PROJ #:	
		SIZE	
		50025887	
		B	
		SHEET 2 OF 5	
		REV	
		K	

CATALOG NUMBER	COPPER CONDUCTOR		BOLT SIZE	DIMENSIONS									DIE INDEX	INSTALLATION TOOLING (# OF CRIMPS)				WIRE STRIP LENGTH (mm)	
	SIZE mm ² (AWG)	CLASS		B	C	E	K	L	N	O.D.	T REF.	Z MIN.		MECHANICAL		HYDRAULIC			DIELESS (# OF CRIMPS)
														MD6, OUR840 MD7-34R	PAT600, Y500CTHS	Y35, Y39, Y750, Y46 PAT750			
YAV252M5	25 (4)	2, 5	M5	12.7 [50]	14.0 [55]	44.5 [1.75]	5.3 [21]	78.2 [3.08]	6.4 [25]	9.7 [38]	2.3 [09]	6.8 [27]	9	W3CRT (1)	W3CRT (1)	U3CRT (1)	Y1MRTC (2) MY29-11 (1) MRC840 (1) Y644 (1) PAT644 (1) Y81KFT (1) PAT81KFT (1)	13	
YAV252M6	25 (4)	2, 5	M6	12.7 [50]	12.7 [50]	44.5 [1.75]	6.9 [27]	81.4 [3.20]	6.4 [25]	9.7 [38]	2.0 [08]	8.4 [33]							
YAV252M8	25 (4)	2, 5	M8	12.7 [50]	14.7 [58]	44.5 [1.75]	8.4 [33]	83.0 [3.27]	7.8 [31]	9.7 [38]	2.0 [08]	9.1 [36]							
YAV252M10	25 (4)	2, 5	M10	12.7 [50]	14.7 [58]	44.5 [1.75]	10.4 [41]	86.1 [3.39]	10.4 [41]	9.7 [38]	2.0 [08]	10.7 [42]							
YAV252M12	25 (4)	2, 5	M12	12.7 [50]	19.1 [75]	44.5 [1.75]	13.2 [52]	92.5 [3.64]	9.7 [38]	9.7 [38]	3.0 [12]	13.9 [55]							
YAV352M5	35 (2)	2, 5	M5	16.0 [63]	17.3 [68]	44.5 [1.75]	5.3 [21]	82.8 [3.26]	6.4 [25]	11.7 [46]	2.5 [10]	6.8 [27]	10	W2CVT (1) W2CRT (1) X2CRT (1)	W2CVT (1) W2CRT (1) X2CRT (1)	U2CRT (1)	Y1MRTC (2) MY29-11 (1) MRC840 (1) Y644 (1) PAT644 (1) Y81KFT (1) PAT81KFT (1)	17	
YAV352M6	35 (2)	2, 5	M6	16.0 [63]	17.3 [68]	44.5 [1.75]	6.8 [27]	86.0 [3.38]	8.6 [34]	11.7 [46]	2.5 [10]	8.4 [33]							
YAV352M8	35 (2)	2, 5	M8	16.0 [63]	17.3 [68]	44.5 [1.75]	8.4 [33]	87.6 [3.45]	8.6 [34]	11.7 [46]	2.5 [10]	9.1 [36]							
YAV352M10	35 (2)	2, 5	M10	16.0 [63]	17.3 [68]	44.5 [1.75]	10.4 [41]	90.7 [3.57]	10.4 [41]	11.7 [46]	2.5 [10]	10.7 [42]							
YAV352M12	35 (2)	2, 5	M12	16.0 [63]	21.1 [83]	44.5 [1.75]	13.2 [52]	97.1 [3.82]	9.9 [39]	11.7 [46]	3.0 [12]	13.9 [55]							
YAV502M6	50 (2)	2	M6	16.0 [63]	17.3 [68]	44.5 [1.75]	6.9 [27]	85.9 [3.38]	7.9 [31]	11.7 [46]	2.5 [10]	8.4 [33]	12	W25VT (2) W25RT (2) X25RT (2)	W25VT (2) W25RT (2) X25RT (2)	U25RT (1)	MY29-11 (1) MRC840 (2) Y644 (1) PAT644 (1) Y81KFT (1) PAT81KFT (1)	17	
YAV502M8	50 (2)	2	M8	16.0 [63]	17.3 [68]	44.5 [1.75]	8.4 [33]	87.6 [3.45]	8.6 [34]	11.7 [46]	2.5 [10]	9.1 [36]							
YAV502M10	50 (2)	2	M10	16.0 [63]	17.3 [68]	44.5 [1.75]	10.4 [41]	90.7 [3.57]	10.4 [41]	11.7 [46]	2.5 [10]	10.7 [42]							
YAV502M12	50 (2)	2	M12	16.0 [63]	21.1 [83]	44.5 [1.75]	13.5 [53]	98.6 [3.88]	13.5 [53]	11.7 [46]	2.0 [08]	14.0 [55]							
YAV502M14	50 (2)	2	M14	16.0 [63]	21.1 [83]	44.5 [1.75]	15.0 [59]	99.6 [3.92]	14.0 [55]	11.7 [46]	2.0 [08]	14.5 [57]							
YAV502M16	50 (2)	2	M16	16.0 [63]	25.9 [1.02]	44.5 [1.75]	17.5 [69]	104.9 [4.13]	16.8 [66]	11.7 [46]	3.6 [14]	17.0 [67]							
YAV702M5	70 (1/0)	2	M5	17.5 [69]	21.1 [83]	44.5 [1.75]	5.3 [21]	86.1 [3.39]	6.4 [25]	14.2 [56]	3.0 [12]	6.9 [27]	13	W26VT (2) W26RT (2) X26RT (2)	W26VT (2) W26RT (2) X26RT (2)	U26RT (1)	MY29-11 (1) MRC840 (2) Y644 (1) PAT644 (1) Y81KFT (1) PAT81KFT (1)	19	
YAV702M6	70 (1/0)	2	M6	17.5 [69]	21.1 [83]	44.5 [1.75]	6.9 [27]	89.2 [3.51]	7.9 [31]	14.2 [56]	3.0 [12]	8.4 [33]							
YAV702M8	70 (1/0)	2	M8	17.5 [69]	21.1 [83]	44.5 [1.75]	8.4 [33]	90.7 [3.57]	8.6 [34]	14.2 [56]	3.0 [12]	9.1 [36]							
YAV702M10	70 (1/0)	2	M10	17.5 [69]	21.1 [83]	44.5 [1.75]	10.4 [41]	94.0 [3.70]	10.4 [41]	14.2 [56]	3.0 [12]	10.7 [42]							
YAV702M12	70 (1/0)	2	M12	17.5 [69]	21.1 [83]	44.5 [1.75]	13.5 [53]	100.3 [3.95]	13.5 [53]	14.2 [56]	3.0 [12]	14.0 [55]							
YAV702M14	70 (1/0)	2	M14	17.5 [69]	23.1 [91]	44.5 [1.75]	15.0 [59]	101.3 [3.99]	14.0 [55]	14.2 [56]	3.3 [13]	14.5 [57]							
YAV702M16	70 (1/0)	2	M16	17.5 [69]	23.1 [91]	44.5 [1.75]	17.5 [69]	106.7 [4.20]	16.8 [66]	14.2 [56]	3.3 [13]	17.0 [67]							

REV	DATE	DESCRIPTION	ECO	BY	C'H'K.
K	09/23/2016	DRAWING RELEASED	44214	CV	MB

CONNECTOR SIZE	TOLERANCES						
	B	C	E	K DIA.	L	N	O.D.
015 - 6	± .8 [.03]	± 1.0 [.04]	± .5 [.02]	± .5 [.02]	± 1.5 [.06]	± .8 [.03]	± .3 [.01]
10 - 50	± 1.5 [.06]	± 1.0 [.04]	± .5 [.02]	± .5 [.02]	± 2.3 [.09]	± .8 [.03]	± .3 [.01]
70 - 240	± 2.0 [.08]	± 1.0 [.04]	± .5 [.02]	± .5 [.02]	± 3.0 [.12]	± .8 [.03]	± .3 [.01]
300 & ABOVE	± 2.3 [.09]	± 1.5 [.06]	± .5 [.02]	± .5 [.02]	± 3.8 [.15]	± 1.5 [.06]	± .3 [.01]

NOTES:
1. SEE SHEET 1 FOR NOTES.

TO ORDER BURNDY® PRODUCTS CALL		HYLUG™	
UNITED STATES 1-800-346-4175 (LONDONDERRY, NH)		ITEM NO: --	
CANADA: 1-800-361-6975 (QUEBEC) 1-800-387-6487 (ALL OTHER PROVINCES)		CAT. NO: SEE TABLE	
FOR PRODUCT INFO: http://www.burndy.com		DRAWN BY: PARTHIBAN B 5/28/2013	
		CHECKER: R ROMAN 6/5/2013	
		DSN APRVL: R ROMAN 6/5/2013	
		MFG APRVL: 6/5/2013	
		QA APRVL: T WATTS 6/5/2013	
		MKT APRVL: J SYLVIA 6/5/2013	
		PROD FAM: _____	
		DRAWING NO: _____	
		REV: _____	
		PROJECT #: _____	
		SIZE: _____	
		DOCUMENT TYPE: SALES	
		REL LEVEL: Released	
		50025887	
		SHEET 3 OF 5	
		K	

CATALOG NUMBER	COPPER CONDUCTOR		BOLT SIZE	DIMENSIONS									DIE INDEX	INSTALLATION TOOLING (# OF CRIMPS)				WIRE STRIP LENGTH (mm)
	SIZE mm ² (AWG)	CLASS		B	C	E	K	L	N	O.D.	T REF.	Z MIN.		MECHANICAL MD6, OUR840 MD7-34R	HYDRAULIC PAT600, Y500CTHS	Y35, Y39, Y750, Y46 PAT750	DIELESS (# OF CRIMPS)	
YAV952M8	95 (2/0)	2	M8	20.6 [.81]	23.6 [.93]	44.5 [1.75]	8.4 [.33]	95.0 [3.74]	8.6 [.34]	16.0 [.63]	3.3 [.13]	9.1 [.36]	14	W27VT (2) W27RT (2) X27RT (3)	W27VT (2) W27RT (2) X27RT (3)	U27RT (1)	MY29-11 (1) MRC840 (2) Y644 (1) PAT644 (1) Y81KFT (2) PAT81KFT (2)	22
YAV952M10	95 (2/0)	2	M10	20.6 [.81]	23.6 [.93]	44.5 [1.75]	10.4 [.41]	98.3 [3.87]	10.4 [.41]	16.0 [.63]	3.3 [.13]	10.7 [.42]						
YAV952M12	95 (2/0)	2	M12	20.6 [.81]	23.6 [.93]	44.5 [1.75]	13.5 [.53]	104.6 [4.12]	13.5 [.53]	16.0 [.63]	3.3 [.13]	14.0 [.55]						
YAV952M14	95 (2/0)	2	M14	20.6 [.81]	23.6 [.93]	44.5 [1.75]	15.0 [.59]	105.7 [4.16]	14.0 [.55]	16.0 [.63]	3.3 [.13]	14.5 [.57]						
YAV952M16	95 (2/0)	2	M16	20.6 [.81]	23.6 [.93]	44.5 [1.75]	17.5 [.69]	111.0 [4.37]	16.8 [.66]	16.0 [.63]	3.3 [.13]	17.0 [.67]						
YAV952M20	95 (2/0)	2	M20	20.6 [.81]	30.5 [1.20]	44.5 [1.75]	23.8 [.94]	123.4 [4.86]	22.4 [.88]	16.0 [.63]	4.1 [.16]	22.6 [.89]						
YAV1202M8	120 (4/0)	2	M8	26.2 [1.03]	29.0 [1.14]	44.5 [1.75]	8.4 [.33]	102.9 [4.05]	8.6 [.34]	19.6 [.77]	3.8 [.15]	9.1 [.36]	15	W28VT (2) W28RT (2) X28RT (3)	W28VT (2) W28RT (2) X28RT (3)	U28RT (1)	MY29-11 (1) MRC840 (2) Y644 (1) PAT644 (1) Y81KFT (2) PAT81KFT (2)	27
YAV1202M10	120 (4/0)	2	M10	26.2 [1.03]	29.0 [1.14]	44.5 [1.75]	10.4 [.41]	106.2 [4.18]	10.4 [.41]	19.6 [.77]	3.8 [.15]	10.7 [.42]						
YAV1202M12	120 (4/0)	2	M12	26.2 [1.03]	29.0 [1.14]	44.5 [1.75]	13.5 [.53]	112.5 [4.43]	13.5 [.53]	19.6 [.77]	3.8 [.15]	14.0 [.55]						
YAV1202M14	120 (4/0)	2	M14	26.2 [1.03]	29.0 [1.14]	44.5 [1.75]	15.0 [.59]	114.3 [4.50]	14.0 [.55]	19.6 [.77]	3.8 [.15]	14.5 [.57]						
YAV1202M16	120 (4/0)	2	M16	26.2 [1.03]	29.0 [1.14]	44.5 [1.75]	17.5 [.69]	118.9 [4.68]	16.8 [.66]	19.6 [.77]	3.8 [.15]	17.0 [.67]						
YAV1202M20	120 (4/0)	2	M20	26.2 [1.03]	29.0 [1.14]	44.5 [1.75]	23.8 [.94]	130.8 [5.15]	22.4 [.88]	19.6 [.77]	3.8 [.15]	22.6 [.89]						
YAV1502M8	150 (300)	2	M8	26.2 [1.03]	30.5 [1.20]	44.5 [1.75]	8.4 [.33]	103.4 [4.07]	8.6 [.34]	20.6 [.81]	4.1 [.16]	9.1 [.36]	17	W30VT (2)	W30VT (2) W30RT (2)	U30RT (2)	Y644 (1) PAT644 (1) Y81KFT (2) PAT81KFT (2)	27
YAV1502M10	150 (300)	2	M10	26.2 [1.03]	30.5 [1.20]	44.5 [1.75]	10.4 [.41]	106.7 [4.20]	10.4 [.41]	20.6 [.81]	4.1 [.16]	10.7 [.42]						
YAV1502M12	150 (300)	2	M12	26.2 [1.03]	30.5 [1.20]	44.5 [1.75]	13.5 [.53]	113.0 [4.45]	13.5 [.53]	20.6 [.81]	4.1 [.16]	14.0 [.55]						
YAV1502M14	150 (300)	2	M14	26.2 [1.03]	30.5 [1.20]	44.5 [1.75]	15.0 [.59]	114.8 [4.52]	14.0 [.55]	20.6 [.81]	4.1 [.16]	14.5 [.57]						
YAV1502M16	150 (300)	2	M16	26.2 [1.03]	30.5 [1.20]	44.5 [1.75]	17.5 [.69]	119.4 [4.70]	16.8 [.66]	20.6 [.81]	4.1 [.16]	17.0 [.67]						
YAV1502M20	150 (300)	2	M20	26.2 [1.03]	30.5 [1.20]	44.5 [1.75]	23.8 [.94]	131.3 [5.17]	22.4 [.88]	20.6 [.81]	4.1 [.16]	22.6 [.89]						
YAV1852M8	185 (350)	2	M8	26.9 [1.06]	32.8 [1.29]	44.5 [1.75]	8.4 [.33]	104.9 [4.13]	8.6 [.34]	22.4 [.88]	4.6 [.18]	9.1 [.36]	18	W31VT (2)	W31VT (2) W31RT (2)	U31RT (2)	Y644 (1) PAT644 (1) Y81KFT (2) PAT81KFT (2)	29
YAV1852M10	185 (350)	2	M10	26.9 [1.06]	32.8 [1.29]	44.5 [1.75]	10.4 [.41]	108.2 [4.26]	10.4 [.41]	22.4 [.88]	4.3 [.17]	10.7 [.42]						
YAV1852M12	185 (350)	2	M12	26.9 [1.06]	32.8 [1.29]	44.5 [1.75]	13.5 [.53]	114.6 [4.51]	13.5 [.53]	22.4 [.88]	4.3 [.17]	14.0 [.55]						
YAV1852M14	185 (350)	2	M14	26.9 [1.06]	32.8 [1.29]	44.5 [1.75]	15.0 [.59]	116.6 [4.59]	14.0 [.55]	22.4 [.88]	4.6 [.18]	14.5 [.57]						
YAV1852M16	185 (350)	2	M16	26.9 [1.06]	32.8 [1.29]	44.5 [1.75]	17.5 [.69]	120.9 [4.76]	16.8 [.66]	22.4 [.88]	4.6 [.18]	17.0 [.67]						
YAV1852M20	185 (350)	2	M20	26.9 [1.06]	32.8 [1.29]	44.5 [1.75]	23.8 [.94]	133.1 [5.24]	22.4 [.88]	22.4 [.88]	4.6 [.18]	22.6 [.89]						

REV	DATE	DESCRIPTION	ECO	BY	C'H'K.
K	09/23/2016	DRAWING RELEASED	44214	CV	MB

CONNECTOR SIZE	TOLERANCES						
	B	C	E	K DIA.	L	N	O.D.
015 - 6	± .8 [.03]	± 1.0 [.04]	± .5 [.02]	± .5 [.02]	± 1.5 [.06]	± .8 [.03]	± .3 [.01]
10 - 50	± 1.5 [.06]	± 1.0 [.04]	± .5 [.02]	± .5 [.02]	± 2.3 [.09]	± .8 [.03]	± .3 [.01]
70 - 240	± 2.0 [.08]	± 1.0 [.04]	± .5 [.02]	± .5 [.02]	± 3.0 [.12]	± .8 [.03]	± .3 [.01]
300 & ABOVE	± 2.3 [.09]	± 1.5 [.06]	± .5 [.02]	± .5 [.02]	± 3.8 [.15]	± 1.5 [.06]	± .3 [.01]

NOTES:
1. SEE SHEET 1 FOR NOTES.

TO ORDER BURNDY® PRODUCTS CALL UNITED STATES 1-800-346-4175 (LONDONDERRY, NH) CANADA: 1-800-361-6975 (QUEBEC) 1-800-387-6487 (ALL OTHER PROVINCES) FOR PRODUCT INFO: http://www.burndy.com	HYLUG™		
	ITEM NO: --		
	CAT. NO: SEE TABLE		
	DRAWN BY: PARTHIBAN B	5/28/2013	
	CHECKER: R ROMAN	6/5/2013	
DSN APRVL: R ROMAN	6/5/2013		
MFG APRVL: T WATTS	6/5/2013		
MKT APRVL: J SYLVIA	6/5/2013		
PROD FAM:	DRAWING NO	REV	
PROJECT #:	SIZE	50025887	
DOCUMENT TYPE: SALES	B	K	
REL LEVEL: Released	SHEET 4 OF 5		

CATALOG NUMBER	COPPER CONDUCTOR		BOLT SIZE	DIMENSIONS									DIE INDEX	INSTALLATION TOOLING (# OF CRIMPS)				WIRE STRIP LENGTH (mm)	
	SIZE mm ² (AWG)	CLASS		B	C	E	K	L	N	O.D.	T REF.	Z MIN.		MECHANICAL		HYDRAULIC			DIELESS (# OF CRIMPS)
														MD6, OUR840 MD7-34R	PAT600, Y500CTHS	Y35, Y39, Y750, Y46 PAT750			
YAV2402M10	240 (500)	2	M10	32.3 [1.27]	39.4 [1.55]	44.5 [1.75]	10.4 [.41]	117.6 [4.63]	10.4 [.41]	26.9 [1.06]	5.8 [.23]	10.7 [.42]	20	W34VT (2)	W34VT (2) W34RT (2)	U34RT (2)	Y644 (1) PAT644 (1) Y81KFT (2) PAT81KFT (2)	33	
YAV2402M12	240 (500)	2	M12	32.3 [1.27]	39.4 [1.55]	44.5 [1.75]	13.5 [.53]	125.0 [4.92]	13.5 [.53]	26.9 [1.06]	5.6 [.22]	14.0 [.55]							
YAV2402M14	240 (500)	2	M14	32.3 [1.27]	39.4 [1.55]	44.5 [1.75]	15.0 [.59]	126.0 [4.96]	14.0 [.55]	26.9 [1.06]	5.8 [.23]	14.5 [.57]							
YAV2402M16	240 (500)	2	M16	32.3 [1.27]	39.4 [1.55]	44.5 [1.75]	17.5 [.69]	130.3 [5.13]	16.8 [.66]	26.9 [1.06]	5.8 [.23]	17.0 [.67]							
YAV2402M20	240 (500)	2	M20	32.3 [1.27]	39.4 [1.55]	44.5 [1.75]	23.8 [.94]	142.5 [5.61]	22.4 [.88]	26.9 [1.06]	5.8 [.23]	22.6 [.89]							
YAV3002M10	300 (600)	2	M10	35.1 [1.38]	44.2 [1.74]	44.5 [1.75]	10.4 [.41]	121.9 [4.80]	12.7 [.50]	30.2 [1.19]	6.9 [.27]	10.7 [.42]							22
YAV3002M12	300 (600)	2	M12	35.1 [1.38]	44.2 [1.74]	44.5 [1.75]	13.5 [.53]	128.3 [5.05]	13.5 [.53]	28.5 [1.12]	6.6 [.26]	14.0 [.55]							
YAV3002M14	300 (600)	2	M14	35.1 [1.38]	44.2 [1.74]	44.5 [1.75]	15.0 [.59]	129.3 [5.09]	14.0 [.55]	30.2 [1.19]	6.9 [.27]	14.5 [.57]							
YAV3002M16	300 (600)	2	M16	35.1 [1.38]	44.2 [1.74]	44.5 [1.75]	17.5 [.69]	134.6 [5.30]	16.8 [.66]	30.2 [1.19]	6.9 [.27]	17.0 [.67]							
YAV3002M20	300 (600)	2	M20	35.1 [1.38]	44.2 [1.74]	44.5 [1.75]	23.8 [.94]	145.5 [5.73]	22.4 [.88]	30.2 [1.19]	6.9 [.27]	22.6 [.89]							
YAV4002M12	400 (800)	2	M12	36.1 [1.42]	50.3 [1.98]	44.5 [1.75]	13.5 [.53]	131.8 [5.19]	13.5 [.53]	34.3 [1.35]	7.6 [.30]	14.0 [.55]	24	--	--	U39RT (3)	Y644 (1) PAT644 (1) Y81KFT (3) PAT81KFT (3)	37	
YAV4002M14	400 (800)	2	M14	36.1 [1.42]	50.3 [1.98]	44.5 [1.75]	15.0 [.59]	134.1 [5.28]	14.0 [.55]	34.3 [1.35]	7.6 [.30]	14.5 [.57]							
YAV4002M16	400 (800)	2	M16	36.1 [1.42]	50.3 [1.98]	44.5 [1.75]	17.5 [.69]	138.2 [5.44]	16.8 [.66]	34.3 [1.35]	7.6 [.30]	17.0 [.67]							
YAV4002M20	400 (800)	2	M20	36.1 [1.42]	50.3 [1.98]	44.5 [1.75]	23.8 [.94]	150.6 [5.93]	22.4 [.88]	34.3 [1.35]	7.6 [.30]	22.6 [.89]							
YAV5002M12	500 (1000)	2	M12	41.9 [1.65]	55.6 [2.19]	44.5 [1.75]	13.5 [.53]	139.4 [5.49]	13.5 [.53]	38.1 [1.50]	8.1 [.32]	14.0 [.55]	L115	--	--	U44XRT (3)	Y644 (1) PAT644 (1) Y81KFT (3) PAT81KFT (3)	43	
YAV5002M16	500 (1000)	2	M16	41.9 [1.65]	55.6 [2.19]	44.5 [1.75]	17.5 [.69]	147.3 [5.80]	16.8 [.66]	38.1 [1.50]	8.4 [.33]	17.0 [.67]							
YAV5002M20	500 (1000)	2	M20	41.9 [1.65]	55.6 [2.19]	44.5 [1.75]	23.8 [.94]	160.0 [6.30]	22.4 [.88]	38.1 [1.50]	8.4 [.33]	22.6 [.89]							
YAV6302M12	630 (1250)	2	M12	50.8 [2.00]	62.5 [2.46]	44.5 [1.75]	13.5 [.53]	152.4 [6.00]	13.5 [.53]	42.9 [1.69]	9.7 [.38]	14.0 [.55]	29	--	--	P45RT (3)	--	55	
YAV6302M16	630 (1250)	2	M16	50.8 [2.00]	62.5 [2.46]	44.5 [1.75]	17.5 [.69]	158.8 [6.25]	16.8 [.66]	42.9 [1.69]	9.7 [.38]	17.0 [.67]							
YAV6302M20	630 (1250)	2	M20	50.8 [2.00]	62.5 [2.46]	44.5 [1.75]	23.8 [.94]	169.9 [6.69]	22.4 [.88]	42.9 [1.69]	9.7 [.38]	22.6 [.89]							

REV	DATE	DESCRIPTION	ECO	BY	CHK.
K	09/23/2016	DRAWING RELEASED	44214	CV	MB

CONNECTOR SIZE	TOLERANCES						
	B	C	E	K DIA.	L	N	O.D.
015 - 6	± .8 [.03]	± 1.0 [.04]	± .5 [.02]	± .5 [.02]	± 1.5 [.06]	± .8 [.03]	± .3 [.01]
10 - 50	± 1.5 [.06]	± 1.0 [.04]	± .5 [.02]	± .5 [.02]	± 2.3 [.09]	± .8 [.03]	± .3 [.01]
70 - 240	± 2.0 [.08]	± 1.0 [.04]	± .5 [.02]	± .5 [.02]	± 3.0 [.12]	± .8 [.03]	± .3 [.01]
300 & ABOVE	± 2.3 [.09]	± 1.5 [.06]	± .5 [.02]	± .5 [.02]	± 3.8 [.15]	± 1.5 [.06]	± .3 [.01]

NOTES:
1. SEE SHEET 1 FOR NOTES.

TO ORDER BURNDY® PRODUCTS CALL		HYLUG™	
UNITED STATES 1-800-346-4175 (LONDONDERRY, NH)		ITEM NO: --	
CANADA: 1-800-361-6975 (QUEBEC) 1-800-387-6487 (ALL OTHER PROVINCES)		CAT. NO: SEE TABLE	
FOR PRODUCT INFO: http://www.burndy.com		DRAWN BY: PARTHIBAN B 5/28/2013	
		CHECKER: R ROMAN 6/5/2013	
		DSN APRVL: R ROMAN 6/5/2013	
		MFG APRVL: 6/5/2013	
		QA APRVL: T WATTS 6/5/2013	
		MKT APRVL: J SYLVIA 6/5/2013	
		PROD FAM: DRAWING NO	
		PROJECT #: SIZE	
		DOCUMENT TYPE: SALES	
		REL LEVEL: Released	
		50025887	
		SHEET 5 OF 5	
		K	