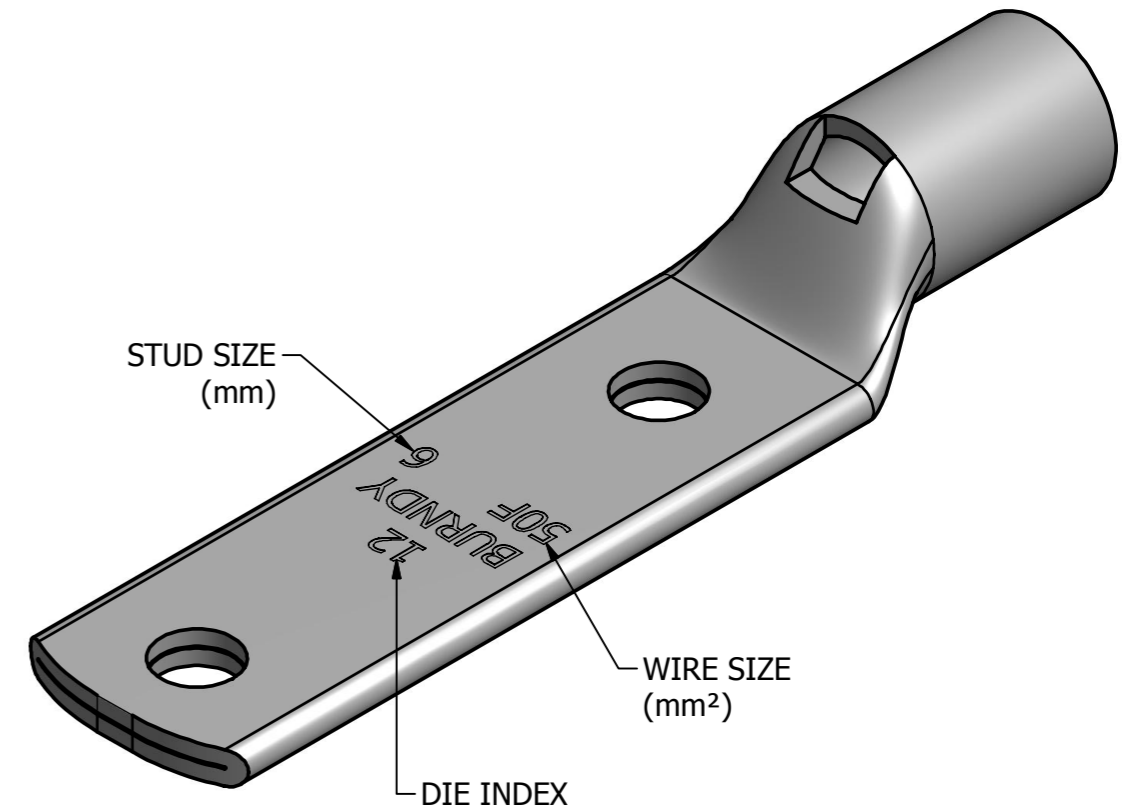
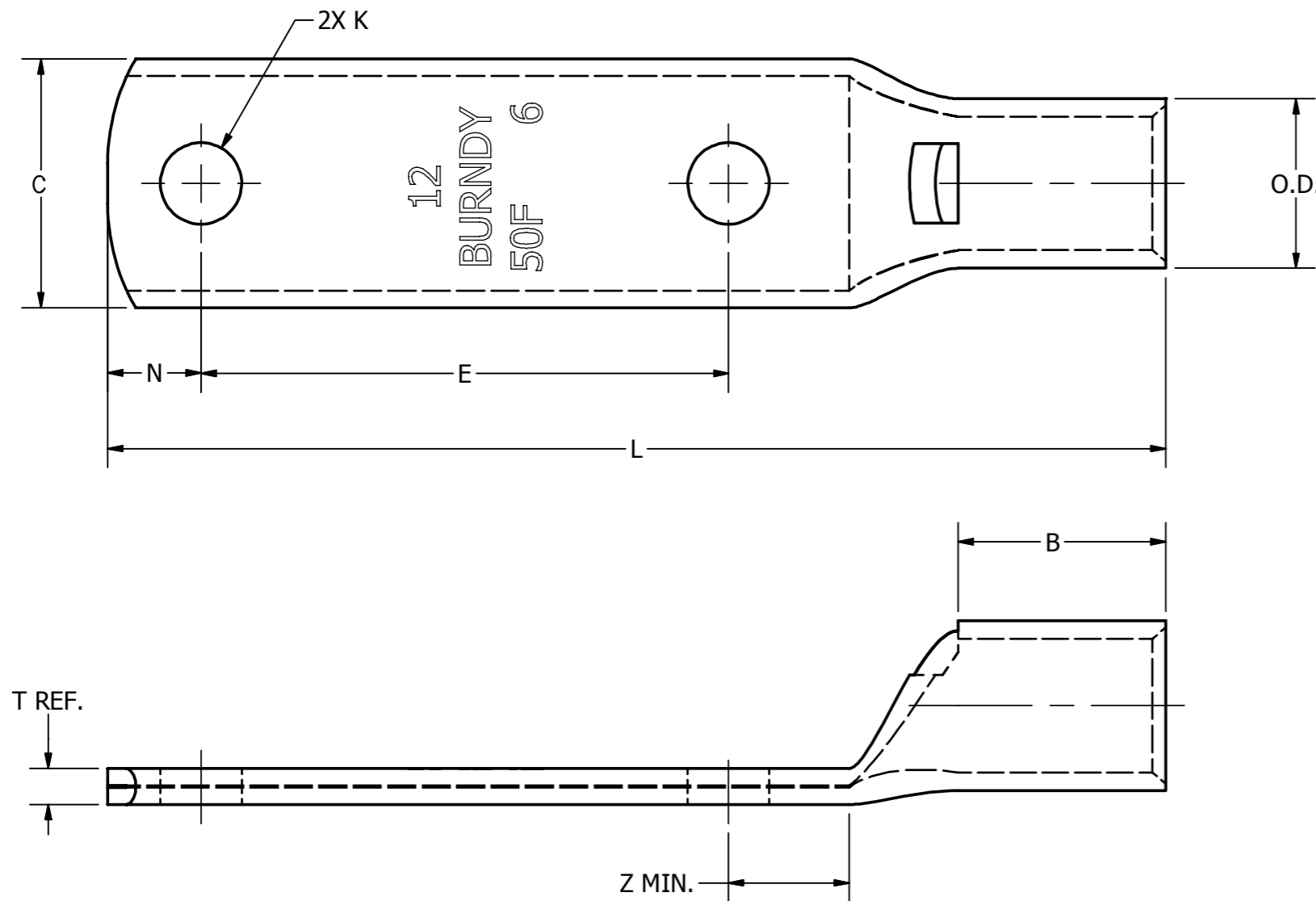


REV	DATE	DESCRIPTION	ECO	BY	C'H'K.
B	08/01/2013	CATALOG NUMBER UPDATED	32690	PB	VK



NOTES:

1. MATERIAL: COPPER TUBING.
2. FINISH: TIN PLATED.
3. DIMENSIONS IN BRACKETS [] ARE IN INCHES ROUNDED OFF TO THE NEAREST HUNDRETH, UNLESS OTHERWISE NOTED, AND ARE FOR REFERENCE ONLY.
4. CONNECTORS ARE COMPATIBLE WITH THE FOLLOWING STANDARDS:
IEC-61238-1, UL486A/B (USA), CSA-C22.2 No 65-03 (CANADA)

5 CATALOG # PUDAP-1 ADAPTOR IS REQUIRED TO USE 'U' DIES IN Y46 SERIES TOOLS.

6 USE THE EQUIVALENT AWG SETTING ON TOOL FOR INSTALLATION.

TO ORDER BURNDY® PRODUCTS CALL		HYLUG™	
UNITED STATES 1-800-346-4175 (LONDONDERRY, NH)		ITEM NO: --	CAT. NO: SEE TABLE
CANADA: 1-800-361-6975 (QUEBEC) 1-800-387-6487 (ALL OTHER PROVINCES)		DRAWN BY: PARTHIBAN B 5/28/2013	CHECKER: R ROMAN 6/5/2013
FOR PRODUCT INFO: http://www.burndy.com		DSN APRVL: R ROMAN 6/5/2013	MFG APRVL: 6/5/2013
		QA APRVL: T WATTS 6/5/2013	MKT APRVL: J SYLVIA 6/5/2013
		PROJ #:	SIZE
		DOCUMENT TYPE: SALES	DRAWING NO: 50025888
		REL LEVEL: Released	REV: B
			SHEET 1 OF 4

CATALOG NUMBER	COPPER CONDUCTOR		BOLT SIZE	DIMENSIONS									DIE INDEX	INSTALLATION TOOLING (# OF CRIMPS)				WIRE STRIP LENGTH (mm)
	SIZE mm ² (AWG)	CLASS		B	C	E	K	L	N	O.D.	T REF.	Z MIN.		MECHANICAL MD6, OUR840 MD7-34R	HYDRAULIC		DIELESS (# OF CRIMPS)	
															PAT600, Y500CTHS	Y35, Y39, Y750, Y46 PAT750		
YAV50F2M6	50 (2)	5	M6	17.5 [.69]	21.1 [.83]	44.5 [1.75]	6.9 [.27]	89.2 [3.51]	7.9 [.31]	14.2 [.56]	3.0 [.12]	8.4 [.33]	12	W25VT (2) W25RT (2) X25RT (2)	W25VT (2) W25RT (2) X25RT (2)	U25RT (1)	MY29-11 (1) MRC840 (2) Y644 (1) PAT644 (1) Y81KFT (1) PAT81KFT (1)	19
YAV50F2M8	50 (2)	5	M8	17.5 [.69]	21.1 [.83]	44.5 [1.75]	8.4 [.33]	90.7 [3.57]	8.6 [.34]	14.2 [.56]	3.0 [.12]	9.1 [.36]						
YAV50F2M10	50 (2)	5	M10	17.5 [.69]	21.1 [.83]	44.5 [1.75]	10.4 [.41]	94.0 [3.70]	10.4 [.41]	14.2 [.56]	3.0 [.12]	10.7 [.42]						
YAV50F2M12	50 (2)	5	M12	17.5 [.69]	21.1 [.83]	44.5 [1.75]	13.5 [.53]	100.3 [3.95]	13.5 [.53]	14.2 [.56]	3.0 [.12]	14.0 [.55]						
YAV50F2M14	50 (2)	5	M14	17.5 [.69]	22.4 [.88]	44.5 [1.75]	15.0 [.59]	101.3 [3.99]	14.0 [.55]	14.2 [.56]	3.0 [.12]	14.5 [.57]						
YAV50F2M16	50 (2)	5	M16	17.5 [.69]	22.4 [.88]	44.5 [1.75]	17.5 [.69]	106.6 [4.20]	16.8 [.66]	14.2 [.56]	3.0 [.12]	17.0 [.67]						
YAV70F2M5	70 (1/0)	5	M5	20.6 [.81]	23.6 [.93]	44.5 [1.75]	5.3 [.21]	90.4 [3.56]	6.4 [.25]	16.0 [.63]	3.3 [.13]	6.9 [.27]	13	W26RT (2) X26RT (2) W26VT (2)	W26RT (2) X26RT (2) W26VT (2)	U26RT (1)	MY29-11 (1) MRC840 (2) Y644 (1) PAT644 (1) Y81KFT (1) PAT81KFT (1)	22
YAV70F2M6	70 (1/0)	5	M6	20.6 [.81]	23.6 [.93]	44.5 [1.75]	6.9 [.27]	93.2 [3.67]	7.9 [.31]	16.0 [.63]	3.3 [.13]	8.0 [.33]						
YAV70F2M8	70 (1/0)	5	M8	20.6 [.81]	23.6 [.93]	44.5 [1.75]	8.4 [.33]	95.0 [3.74]	8.6 [.34]	16.0 [.63]	3.3 [.13]	9.1 [.36]						
YAV70F2M10	70 (1/0)	5	M10	20.6 [.81]	23.6 [.93]	44.5 [1.75]	10.4 [.41]	98.3 [3.87]	10.4 [.41]	16.0 [.63]	3.3 [.13]	10.7 [.42]						
YAV70F2M12	70 (1/0)	5	M12	20.6 [.81]	23.6 [.93]	44.5 [1.75]	13.0 [.53]	104.6 [4.12]	13.0 [.53]	16.0 [.63]	3.3 [.13]	14.0 [.55]						
YAV70F2M14	70 (1/0)	5	M14	20.6 [.81]	23.6 [.93]	44.5 [1.75]	15.0 [.59]	105.7 [4.16]	14.0 [.55]	16.0 [.63]	3.3 [.13]	14.5 [.57]						
YAV70F2M16	70 (1/0)	5	M16	20.6 [.81]	23.6 [.93]	44.5 [1.75]	17.5 [.69]	111.0 [4.37]	16.8 [.66]	16.0 [.63]	3.3 [.13]	17.0 [.67]						
YAV95F2M8	95 (2/0)	5	M8	25.0 [1.00]	26.0 [1.03]	44.5 [1.75]	8.4 [.33]	100.8 [3.97]	8.6 [.34]	18.0 [.70]	4.0 [.14]	9.1 [.36]	14	W27VT (2) W27RT (2) X27RT (3)	W27VT (2) W27RT (2) X27RT (3)	U27RT (1)	MY29-11 (1) MRC840 (2) Y644 (1) PAT644 (1) Y81KFT (2) PAT81KFT (2)	27
YAV95F2M10	95 (2/0)	5	M10	25.0 [1.00]	26.0 [1.03]	44.5 [1.75]	10.4 [.41]	104.1 [4.10]	10.4 [.41]	18.0 [.70]	4.0 [.14]	10.7 [.42]						
YAV95F2M12	95 (2/0)	5	M12	25.0 [1.00]	26.0 [1.03]	44.5 [1.75]	13.0 [.53]	110.5 [4.35]	13.0 [.53]	18.0 [.70]	4.0 [.14]	14.0 [.55]						
YAV95F2M14	95 (2/0)	5	M14	25.0 [1.00]	26.0 [1.03]	44.5 [1.75]	15.0 [.59]	111.5 [4.39]	14.0 [.55]	18.0 [.70]	4.0 [.14]	14.5 [.57]						
YAV95F2M16	95 (2/0)	5	M16	25.0 [1.00]	26.0 [1.03]	44.5 [1.75]	17.5 [.69]	116.8 [4.60]	16.8 [.66]	18.0 [.70]	4.0 [.14]	17.0 [.67]						
YAV95F2M20	95 (2/0)	5	M20	25.0 [1.00]	26.0 [1.03]	44.5 [1.75]	23.8 [.94]	127.9 [5.04]	22.4 [.88]	18.0 [.70]	4.0 [.14]	22.6 [.89]						

REV	DATE	DESCRIPTION	ECO	BY	C'H'K.
B	08/01/2013	CATALOG NUMBER UPDATED	32690	PB	VK

CONNECTOR SIZE	TOLERANCES						
	B	C	E	K DIA.	L	N	O.D.
015 - 6	± .8 [.03]	± 1.0 [.04]	± .5 [.02]	± .5 [.02]	± 1.5 [.06]	± .8 [.03]	± .3 [.01]
10 - 50	± 1.5 [.06]	± 1.0 [.04]	± .5 [.02]	± .5 [.02]	± 2.3 [.09]	± .8 [.03]	± .3 [.01]
70 - 240	± 2.0 [.08]	± 1.0 [.04]	± .5 [.02]	± .5 [.02]	± 3.0 [.12]	± .8 [.03]	± .3 [.01]
300 & ABOVE	± 2.3 [.09]	± 1.5 [.06]	± .5 [.02]	± .5 [.02]	± 3.8 [.15]	± 1.5 [.06]	± .3 [.01]

NOTES:

- SEE SHEET 1 FOR NOTES.

TO ORDER BURNDY® PRODUCTS CALL		HYLUG™	
UNITED STATES 1-800-346-4175 (LONDONDERRY, NH)		ITEM NO: --	
CANADA: 1-800-361-6975 (QUEBEC) 1-800-387-6487 (ALL OTHER PROVINCES)		CAT. NO: SEE TABLE	
FOR PRODUCT INFO: http://www.burndy.com		DRAWN BY: PARTHIBAN B 5/28/2013	
		CHECKER: R ROMAN 6/5/2013	
		DSN APRVL: R ROMAN 6/5/2013	
		MFG APRVL: 6/5/2013	
		QA APRVL: T WATTS 6/5/2013	
		MKT APRVL: J SYLVIA 6/5/2013	
		PROJ. #:	
		DRAWING NO	
		REV	
		50025888	
		B	
		SHEET 2 OF 4	

CATALOG NUMBER	COPPER CONDUCTOR		BOLT SIZE	DIMENSIONS									DIE INDEX	INSTALLATION TOOLING (# OF CRIMPS)				WIRE STRIP LENGTH (mm)
	SIZE mm ² (AWG)	CLASS		B	C	E	K	L	N	O.D.	T REF.	Z MIN.		MECHANICAL MD6, OUR840 MD7-34R	HYDRAULIC PAT600, Y500CTHS	Y35, Y39, Y750, Y46, PAT750	DIELESS (# OF CRIMPS)	
YAV120F2M8	120 (4/0)	5	M8	26.2 [1.03]	29.0 [1.14]	44.5 [1.75]	8.4 [.33]	102.9 [4.05]	8.6 [.34]	19.6 [.77]	3.8 [.15]	9.1 [.36]	15	W28VT (2) W28RT (2) X28RT (3)	W28VT (2) W28RT (2) X28RT (3)	U28RT (1)	MY29-11 (1) MRC840 (2) Y644 (1) PAT644 (1) Y81KFT (2) PAT81KFT (2)	27
YAV120F2M10	120 (4/0)	5	M10	26.2 [1.03]	29.0 [1.14]	44.5 [1.75]	10.4 [.41]	106.2 [4.18]	10.4 [.41]	19.6 [.77]	3.8 [.15]	10.7 [.42]						
YAV120F2M12	120 (4/0)	5	M12	26.2 [1.03]	29.0 [1.14]	44.5 [1.75]	13.0 [.53]	112.5 [4.43]	13.0 [.53]	19.6 [.77]	3.8 [.15]	14.0 [.55]						
YAV120F2M14	120 (4/0)	5	M14	26.2 [1.03]	29.0 [1.14]	44.5 [1.75]	15.0 [.59]	113.5 [4.47]	14.0 [.55]	19.6 [.77]	3.8 [.15]	14.5 [.57]						
YAV120F2M16	120 (4/0)	5	M16	26.2 [1.03]	29.0 [1.14]	44.5 [1.75]	17.5 [.69]	118.8 [4.68]	16.8 [.66]	19.6 [.77]	3.8 [.15]	17.0 [.67]						
YAV120F2M20	120 (4/0)	5	M20	26.2 [1.03]	29.0 [1.14]	44.5 [1.75]	23.8 [.94]	129.9 [5.12]	22.4 [.88]	19.6 [.77]	3.8 [.15]	22.6 [.89]						
YAV150F2M8	150 (250)	5	M8	26.9 [1.06]	32.8 [1.29]	44.5 [1.75]	8.4 [.33]	104.9 [4.13]	8.6 [.34]	22.4 [.88]	4.6 [.18]	9.1 [.36]	17	W30VT (2)	W30VT (2) W30RT (2)	U30RT (2)	Y644 (1) PAT644 (1) Y81KFT (2) PAT81KFT (2)	29
YAV150F2M10	150 (250)	5	M10	26.9 [1.06]	32.8 [1.29]	44.5 [1.75]	10.4 [.41]	108.2 [4.26]	7.1 [.28]	22.4 [.88]	4.6 [.18]	10.7 [.42]						
YAV150F2M12	150 (250)	5	M12	26.9 [1.06]	32.8 [1.29]	44.5 [1.75]	13.5 [.53]	114.6 [4.51]	9.7 [.38]	22.4 [.88]	4.6 [.18]	14.0 [.55]						
YAV150F2M14	150 (250)	5	M14	26.9 [1.06]	32.8 [1.29]	44.5 [1.75]	15.0 [.59]	115.5 [4.55]	14.0 [.55]	22.4 [.88]	4.6 [.18]	14.5 [.57]						
YAV150F2M16	150 (250)	5	M16	26.9 [1.06]	32.8 [1.29]	44.5 [1.75]	17.5 [.69]	120.9 [4.76]	16.8 [.66]	22.4 [.88]	4.6 [.18]	17.0 [.67]						
YAV150F2M20	150 (250)	5	M20	26.9 [1.06]	32.8 [1.29]	44.5 [1.75]	23.8 [.94]	132.0 [5.20]	22.4 [.88]	22.4 [.88]	4.6 [.18]	22.6 [.89]						
YAV185F2M8	185 (313)	5	M8	30.2 [1.19]	35.6 [1.40]	44.5 [1.75]	8.4 [.33]	109.6 [4.31]	6.9 [.27]	24.1 [.95]	5.0 [.19]	9.1 [.36]	18	W31VT (2)	W31VT (2) W31RT (2)	U31RT (2)	Y644 (1) PAT644 (1) Y81KFT (2) PAT81KFT (2)	29
YAV185F2M10	185 (313)	5	M10	30.2 [1.19]	35.6 [1.40]	44.5 [1.75]	10.4 [.41]	112.8 [4.44]	7.1 [.28]	24.1 [.95]	5.0 [.19]	10.7 [.42]						
YAV185F2M12	185 (313)	5	M12	30.2 [1.19]	35.6 [1.40]	44.5 [1.75]	13.5 [.53]	119.1 [4.69]	9.7 [.38]	24.1 [.95]	5.0 [.19]	14.0 [.55]						
YAV185F2M14	185 (313)	5	M14	30.2 [1.19]	35.6 [1.40]	44.5 [1.75]	15.0 [.59]	120.1 [4.73]	14.0 [.55]	24.1 [.95]	5.0 [.19]	14.5 [.57]						
YAV185F2M16	185 (313)	5	M16	30.2 [1.19]	35.6 [1.40]	44.5 [1.75]	17.5 [.69]	125.5 [4.94]	16.8 [.66]	24.1 [.95]	5.0 [.19]	17.0 [.67]						
YAV185F2M20	185 (313)	5	M20	30.2 [1.19]	35.6 [1.40]	44.5 [1.75]	23.8 [.94]	136.6 [5.38]	22.4 [.88]	24.1 [.95]	5.0 [.19]	22.6 [.89]						
YAV240F2M10	240 (350)	5	M10	32.3 [1.27]	39.4 [1.55]	44.5 [1.75]	10.4 [.41]	117.6 [4.63]	10.4 [.41]	26.9 [1.06]	5.8 [.23]	10.7 [.42]	20	--	--	U34RT (2)	Y644 (1) PAT644 (1) Y81KFT (2) PAT81KFT (2)	33
YAV240F2M12	240 (350)	5	M12	32.3 [1.27]	39.4 [1.55]	44.5 [1.75]	13.5 [.53]	123.9 [4.88]	9.7 [.38]	26.9 [1.06]	5.8 [.23]	14.0 [.55]						
YAV240F2M14	240 (350)	5	M14	32.3 [1.27]	39.4 [1.55]	44.5 [1.75]	15.0 [.59]	124.9 [4.92]	14.0 [.55]	26.9 [1.06]	5.8 [.23]	14.5 [.57]						
YAV240F2M16	240 (350)	5	M16	32.3 [1.27]	39.4 [1.55]	44.5 [1.75]	17.5 [.69]	130.3 [5.13]	16.8 [.66]	26.9 [1.06]	5.8 [.23]	17.0 [.67]						
YAV240F2M20	240 (350)	5	M20	32.3 [1.27]	39.4 [1.55]	44.5 [1.75]	23.8 [.94]	141.3 [5.56]	22.4 [.88]	26.9 [1.06]	5.8 [.23]	22.6 [.89]						

REV	DATE	DESCRIPTION	ECO	BY	C'H'K.
B	08/01/2013	CATALOG NUMBER UPDATED	32690	PB	VK

CONNECTOR SIZE	TOLERANCES						
	B	C	E	K DIA.	L	N	O.D.
015 - 6	± .8 [.03]	± 1.0 [.04]	± .5 [.02]	± .5 [.02]	± 1.5 [.06]	± .8 [.03]	± .3 [.01]
10 - 50	± 1.5 [.06]	± 1.0 [.04]	± .5 [.02]	± .5 [.02]	± 2.3 [.09]	± .8 [.03]	± .3 [.01]
70 - 240	± 2.0 [.08]	± 1.0 [.04]	± .5 [.02]	± .5 [.02]	± 3.0 [.12]	± .8 [.03]	± .3 [.01]
300 & ABOVE	± 2.3 [.09]	± 1.5 [.06]	± .5 [.02]	± .5 [.02]	± 3.8 [.15]	± 1.5 [.06]	± .3 [.01]

NOTES:
1. SEE SHEET 1 FOR NOTES.

TO ORDER BURNDY® PRODUCTS CALL		HYLUG™	
UNITED STATES 1-800-346-4175 (LONDONDERRY, NH)		ITEM NO: --	
CANADA: 1-800-361-6975 (QUEBEC) 1-800-387-6487 (ALL OTHER PROVINCES)		CAT. NO: SEE TABLE	
FOR PRODUCT INFO: http://www.burndy.com		DRAWN BY: PARTHIBAN B 5/28/2013	
		CHECKER: R ROMAN 6/5/2013	
		DSN APRVL: R ROMAN 6/5/2013	
		MFG APRVL: 6/5/2013	
		QA APRVL: T WATTS 6/5/2013	
		MKT APRVL: J SYLVIA 6/5/2013	
		PROJ #:	
		DRAWING NO	
		REV	
		50025888	
		B	
		SHEET 3 OF 4	

CATALOG NUMBER	COPPER CONDUCTOR		BOLT SIZE	DIMENSIONS									DIE INDEX	INSTALLATION TOOLING (# OF CRIMPS)				WIRE STRIP LENGTH (mm)	
	SIZE mm ² (AWG)	CLASS		B	C	E	K	L	N	O.D.	T REF.	Z MIN.		MECHANICAL		HYDRAULIC			DIELESS (# OF CRIMPS)
														MD6, OUR840 MD7-34R	PAT600, Y500CTHS	Y35, Y39, Y750, Y46 PAT750			
YAV300F2M10	300 (500)	5	M10	37.0 [1.45]	47.0 [1.84]	44.5 [1.75]	10.4 [.41]	124.9 [4.92]	7.1 [.28]	32.0 [1.25]	7.0 [.27]	10.7 [.42]	22	--	--	U36RT (2)	Y644 (1) PAT644 (1) Y81KFT (2) PAT81KFT (2)	38	
YAV300F2M12	300 (500)	5	M12	37.0 [1.45]	47.0 [1.84]	44.5 [1.75]	13.5 [.53]	131.3 [5.17]	13.5 [.53]	32.0 [1.25]	7.0 [.27]	14.0 [.55]							
YAV300F2M14	300 (500)	5	M14	37.0 [1.45]	47.0 [1.84]	44.5 [1.75]	15.0 [.59]	132.2 [5.21]	14.0 [.55]	32.0 [1.25]	7.0 [.27]	14.5 [.57]							
YAV300F2M16	300 (500)	5	M16	37.0 [1.45]	47.0 [1.84]	44.5 [1.75]	17.5 [.69]	137.7 [5.42]	16.8 [.66]	32.0 [1.25]	7.0 [.27]	17.0 [.67]							
YAV300F2M20	300 (500)	5	M20	37.0 [1.45]	47.0 [1.84]	44.5 [1.75]	23.8 [.94]	148.7 [5.85]	22.4 [.88]	32.0 [1.25]	7.0 [.27]	22.6 [.89]							
YAV400F2M12	400 (650)	5	M12	36.1 [1.42]	50.3 [1.98]	44.5 [1.75]	13.5 [.53]	131.8 [5.19]	13.5 [.53]	34.3 [1.35]	7.6 [.30]	14.0 [.55]	24	--	--	U39RT (3)	Y644 (1) PAT644 (1) Y81KFT (3) PAT81KFT (3)	37	
YAV400F2M14	400 (650)	5	M14	36.1 [1.42]	50.3 [1.98]	44.5 [1.75]	15.0 [.59]	132.8 [5.23]	14.0 [.55]	34.3 [1.35]	7.6 [.30]	14.5 [.57]							
YAV400F2M16	400 (650)	5	M16	36.1 [1.42]	50.3 [1.98]	44.5 [1.75]	17.5 [.69]	138.2 [5.44]	16.8 [.66]	34.3 [1.35]	7.6 [.30]	17.0 [.67]							
YAV400F2M20	400 (650)	5	M20	36.1 [1.42]	50.3 [1.98]	44.5 [1.75]	23.8 [.94]	149.2 [5.88]	22.4 [.88]	34.3 [1.35]	7.6 [.30]	22.6 [.89]							
YAV500F2M12	500 (750)	5	M12	41.9 [1.65]	55.6 [2.19]	44.5 [1.75]	13.5 [.53]	140.9 [5.55]	13.5 [.53]	38.1 [1.50]	8.4 [.33]	14.0 [.55]	L115	--	--	U44XRT (3)	Y644 (1) PAT644 (1) Y81KFT (3) PAT81KFT (3)	43	
YAV500F2M16	500 (750)	5	M16	41.9 [1.65]	55.6 [2.19]	44.5 [1.75]	17.5 [.69]	147.3 [5.80]	16.8 [.66]	38.1 [1.50]	8.4 [.33]	17.0 [.67]							
YAV500F2M20	500 (750)	5	M20	41.9 [1.65]	55.6 [2.19]	44.5 [1.75]	23.8 [.94]	158.4 [6.24]	22.4 [.88]	38.1 [1.50]	8.4 [.33]	22.6 [.89]							
YAV630F2M12	630	5	M12	50.8 [2.00]	68.3 [2.69]	44.5 [1.75]	13.5 [.53]	154.9 [6.10]	13.5 [.53]	46.7 [1.84]	9.9 [.39]	14.0 [.55]	31	--	--	P46RT (3)	--	55	
YAV630F2M16	630	5	M16	50.8 [2.00]	68.3 [2.69]	44.5 [1.75]	17.5 [.69]	161.3 [6.35]	16.8 [.66]	46.7 [1.84]	9.9 [.39]	17.0 [.67]							
YAV630F2M20	630	5	M20	50.8 [2.00]	68.3 [2.69]	44.5 [1.75]	23.8 [.94]	172.4 [6.79]	22.4 [.88]	46.7 [1.84]	9.9 [.39]	22.6 [.89]							

REV	DATE	DESCRIPTION	ECO	BY	C'H'K.
B	08/01/2013	CATALOG NUMBER UPDATED	32690	PB	VK

CONNECTOR SIZE	TOLERANCES						
	B	C	E	K DIA.	L	N	O.D.
015 - 6	± .8 [.03]	± 1.0 [.04]	± .5 [.02]	± .5 [.02]	± 1.5 [.06]	± .8 [.03]	± .3 [.01]
10 - 50	± 1.5 [.06]	± 1.0 [.04]	± .5 [.02]	± .5 [.02]	± 2.3 [.09]	± .8 [.03]	± .3 [.01]
70 - 240	± 2.0 [.08]	± 1.0 [.04]	± .5 [.02]	± .5 [.02]	± 3.0 [.12]	± .8 [.03]	± .3 [.01]
300 & ABOVE	± 2.3 [.09]	± 1.5 [.06]	± .5 [.02]	± .5 [.02]	± 3.8 [.15]	± 1.5 [.06]	± .3 [.01]

NOTES:

- SEE SHEET 1 FOR NOTES.

TO ORDER BURNDY® PRODUCTS CALL		HYLUG™	
UNITED STATES 1-800-346-4175 (LONDONDERRY, NH)		ITEM NO: --	
CANADA: 1-800-361-6975 (QUEBEC) 1-800-387-6487 (ALL OTHER PROVINCES)		CAT. NO: SEE TABLE	
FOR PRODUCT INFO: http://www.burndy.com		DRAWN BY: PARTHIBAN B 5/28/2013	
		CHECKER: R ROMAN 6/5/2013	
		DSN APRVL: R ROMAN 6/5/2013	
		MFG APRVL: 6/5/2013	
		QA APRVL: T WATTS 6/5/2013	
		MKT APRVL: J SYLVIA 6/5/2013	
		PROJ #:	
		DRAWING NO	
		REV	
		50025888	
		B	
		SHEET 4 OF 4	