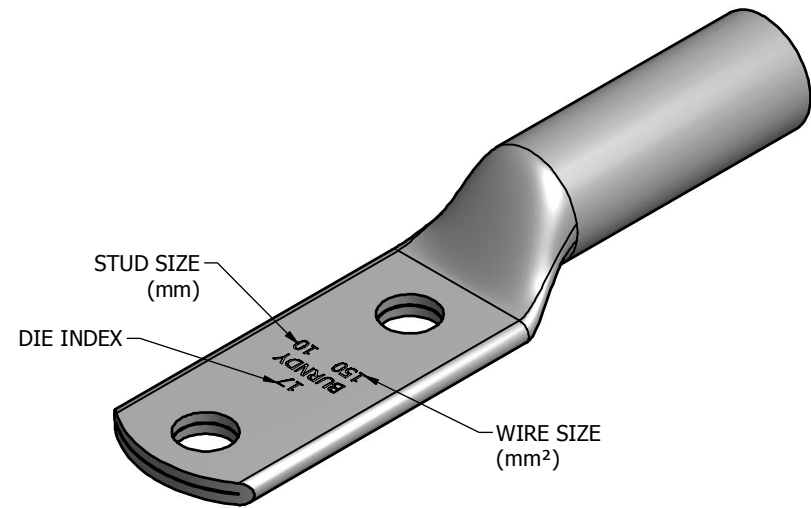
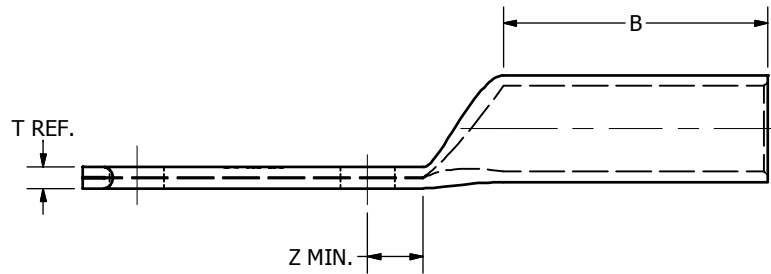
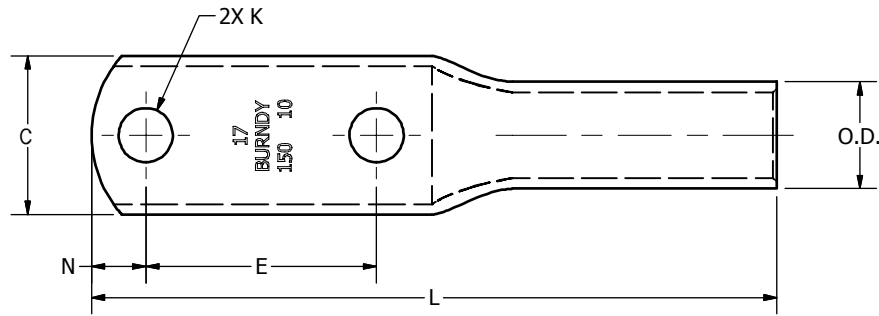


REV	DATE	DESCRIPTION	ECO	BY	C'HK.
C	01/22/2014	UPDATED AS PER MARKUP	34580	MVP	MB



NOTES:

1. MATERIAL: COPPER TUBING.
2. FINISH: TIN PLATED.
3. DIMENSIONS IN BRACKETS [] ARE IN INCHES ROUNDED OFF TO THE NEAREST HUNDRETH, UNLESS OTHERWISE NOTED, AND ARE FOR REFERENCE ONLY.
4. CONNECTORS ARE COMPATIBLE WITH THE FOLLOWING STANDARDS:
IEC-61238-1, UL486A/B (USA), CSA-C22.2 No 65-03 (CANADA)
5. CATALOG # PUDAP-1 ADAPTOR IS REQUIRED TO USE 'U' DIES IN Y46 SERIES TOOLS.
6. USE THE EQUIVALENT AWG SETTING ON TOOL FOR INSTALLATION.

TO ORDER BURNDY® PRODUCTS CALL		HYLUG™	
UNITED STATES 1-800-346-4175 (LONDONDERRY, NH)		ITEM NO: --	
CANADA: 1-800-361-6975 (QUEBEC) 1-800-387-6487 (ALL OTHER PROVINCES)		CAT. NO: SEE TABLE	
FOR PRODUCT INFO: http://www.burndy.com		DRAWN BY: AUGUSTIN 05/29/2013	
		CHECKED BY: R. ROMAN 09/03/2013	
		DSN APRVL: R. ROMAN 09/02/2013	
		MFG APRVL: 06/02/2013	
		QA APRVL: T. WATTS 06/02/2013	
		MKT APRVL: J. SYLVIA 06/02/2013	
		PROJECT #:	
		SIZE	
		DRAWING NO	
		50025967	
		REV	
		C	
		SHEET 1 OF 5	

CATALOG NUMBER	COPPER CONDUCTOR		BOLT SIZE	DIMENSIONS									DIE INDEX	INSTALLATION TOOLING (# OF CRIMPS)				WIRE STRIP LENGTH (mm)
	SIZE mm ² (AWG)	CLASS		B	C	E	K	L	N	O.D.	T REF.	Z MIN.		MECHANICAL		HYDRAULIC	DIELESS (# OF CRIMPS)	
														MD6, OUR840 MD7-34R	PAT600, Y500CTHS			
YALB102M4	10 (8)	2, 5	M4	20.6 [81]	9.8 [39]	44.5 [1.75]	4.7 [1.8]	82.6 [3.25]	5.6 [2.2]	6.9 [2.7]	2.2 [0.9]	5.9 [2.3]	49	W8CVT (2) W8CRT (2) X8CRT (2)	W8CVT (2) W8CRT (2) X8CRT (2)	U8CRT (2)	Y1MRTC (2) MY29-11 (1) MRC840 (2) Y81KFT (1) PAT81KFT (1)	22
YALB102M5	10 (8)	2, 5	M5	20.6 [81]	10.4 [41]	44.5 [1.75]	5.3 [2.1]	84.3 [3.32]	6.4 [2.5]	6.9 [2.7]	2.1 [0.8]	6.8 [2.7]						
YALB102M6	10 (8)	2, 5	M6	20.6 [81]	11.2 [44]	44.5 [1.75]	6.9 [2.7]	87.4 [3.44]	7.9 [3.1]	6.9 [2.7]	1.9 [0.8]	8.3 [3.3]						
YALB102M8	10 (8)	2, 5	M8	20.6 [81]	13.2 [52]	44.5 [1.75]	8.4 [3.3]	89.0 [3.50]	8.7 [3.4]	6.9 [2.7]	1.6 [0.6]	9.1 [3.6]						
YALB102M10	10 (8)	2, 5	M10	20.6 [81]	14.7 [58]	44.5 [1.75]	10.4 [4.1]	92.2 [3.63]	10.3 [4.1]	6.9 [2.7]	1.4 [0.6]	10.7 [4.2]						
YALB102M12	10 (8)	2, 5	M12	20.6 [81]	21.1 [83]	44.5 [1.75]	13.3 [5.3]	103.3 [4.07]	13.5 [5.3]	6.9 [2.7]	3.0 [1.2]	13.9 [5.5]						
YALB162M4	16 (6)	2, 5	M4	28.4 [1.12]	11.4 [45]	44.5 [1.75]	4.7 [1.8]	91.7 [3.61]	5.6 [2.2]	7.9 [3.1]	2.2 [0.9]	5.9 [2.3]	7	W5CVT (2) W5CRT (2) X5CRT (2)	W5CVT (2) W5CRT (2) X5CRT (2)	U5CRT (2)	Y1MRTC (2) MY29-11 (2) MRC840 (2) Y644 (1) PAT644 (1) Y81KFT (1) PAT81KFT (1)	30
YALB162M5	16 (6)	2, 5	M5	28.4 [1.12]	11.4 [45]	44.5 [1.75]	5.3 [2.1]	93.3 [3.67]	6.4 [2.5]	7.9 [3.1]	2.2 [0.9]	6.8 [2.7]						
YALB162M6	16 (6)	2, 5	M6	28.4 [1.12]	12.2 [48]	44.5 [1.75]	6.9 [2.7]	96.4 [3.80]	7.9 [3.1]	7.9 [3.1]	2.0 [0.8]	8.3 [3.3]						
YALB162M8	16 (6)	2, 5	M8	28.4 [1.12]	13.2 [52]	44.5 [1.75]	8.4 [3.3]	98.0 [3.86]	8.7 [3.4]	7.9 [3.1]	1.9 [0.7]	9.1 [3.6]						
YALB162M10	16 (6)	2, 5	M10	28.4 [1.12]	14.7 [58]	44.5 [1.75]	10.4 [4.1]	103.6 [4.08]	10.3 [4.1]	7.9 [3.1]	1.6 [0.6]	10.7 [4.2]						
YALB162M12	16 (6)	2, 5	M12	28.4 [1.12]	19.1 [75]	44.5 [1.75]	13.3 [5.3]	107.6 [4.24]	13.5 [5.3]	7.9 [3.1]	3.0 [1.2]	13.9 [5.5]						
YALB252M5	25 (4)	2, 5	M5	31.8 [1.25]	13.9 [55]	44.5 [1.75]	5.3 [2.1]	98.1 [3.86]	6.4 [2.5]	9.5 [3.8]	2.3 [0.9]	6.8 [2.7]	9	W3CRT (2)	W3CRT (2)	U3CRT (2)	Y1MRTC (2) MY29-11 (2) MRC840 (2) Y644 (1) PAT644 (1) Y81KFT (1) PAT81KFT (1)	33
YALB252M6	25 (4)	2, 5	M6	31.8 [1.25]	13.9 [55]	44.5 [1.75]	6.9 [2.7]	101.2 [3.98]	7.9 [3.1]	9.5 [3.8]	2.3 [0.9]	8.3 [3.3]						
YALB252M8	25 (4)	2, 5	M8	31.8 [1.25]	13.9 [55]	44.5 [1.75]	8.4 [3.3]	102.8 [4.05]	8.7 [3.4]	9.5 [3.8]	2.3 [0.9]	9.1 [3.6]						
YALB252M10	25 (4)	2, 5	M10	31.8 [1.25]	14.7 [58]	44.5 [1.75]	10.4 [4.1]	106.0 [4.17]	10.3 [4.1]	9.5 [3.8]	2.1 [0.8]	10.7 [4.2]						
YALB252M12	25 (4)	2, 5	M12	31.8 [1.25]	21.1 [83]	44.5 [1.75]	13.3 [5.3]	112.4 [4.43]	13.5 [5.3]	9.5 [3.8]	3.0 [1.2]	13.9 [5.5]						
YALB352M5	35 (2)	2, 5	M5	35.1 [1.38]	17.2 [68]	44.5 [1.75]	5.3 [2.1]	102.1 [4.02]	6.4 [2.5]	11.7 [4.6]	2.6 [1.0]	6.8 [2.7]						
YALB352M6	35 (2)	2, 5	M6	35.1 [1.38]	17.2 [68]	44.5 [1.75]	6.9 [2.7]	105.2 [4.14]	7.9 [3.1]	11.7 [4.6]	2.6 [1.0]	8.3 [3.3]						
YALB352M8	35 (2)	2, 5	M8	35.1 [1.38]	17.2 [68]	44.5 [1.75]	8.4 [3.3]	106.8 [4.20]	8.7 [3.4]	11.7 [4.6]	2.6 [1.0]	9.1 [3.6]						
YALB352M10	35 (2)	2, 5	M10	35.1 [1.38]	17.2 [68]	44.5 [1.75]	10.4 [4.1]	110.0 [4.33]	10.3 [4.1]	11.7 [4.6]	2.6 [1.0]	10.7 [4.2]						
YALB352M12	35 (2)	2, 5	M12	35.1 [1.38]	21.1 [83]	44.5 [1.75]	13.3 [5.3]	116.4 [4.58]	13.5 [5.3]	11.7 [4.6]	3.0 [1.2]	13.9 [5.5]						
YALB352M5	35 (2)	2, 5	M5	35.1 [1.38]	17.2 [68]	44.5 [1.75]	5.3 [2.1]	102.1 [4.02]	6.4 [2.5]	11.7 [4.6]	2.6 [1.0]	6.8 [2.7]	10	W2CVT (2) W2CRT (2) X2CRT (2)	W2CVT (2) W2CRT (2) X2CRT (2)	U2CRT (2)	Y1MRTC (4) MY29-11 (2) MRC840 (2) Y644 (1) PAT644 (1) Y81KFT (1) PAT81KFT (1)	37
YALB352M6	35 (2)	2, 5	M6	35.1 [1.38]	17.2 [68]	44.5 [1.75]	6.9 [2.7]	105.2 [4.14]	7.9 [3.1]	11.7 [4.6]	2.6 [1.0]	8.3 [3.3]						
YALB352M8	35 (2)	2, 5	M8	35.1 [1.38]	17.2 [68]	44.5 [1.75]	8.4 [3.3]	106.8 [4.20]	8.7 [3.4]	11.7 [4.6]	2.6 [1.0]	9.1 [3.6]						
YALB352M10	35 (2)	2, 5	M10	35.1 [1.38]	17.2 [68]	44.5 [1.75]	10.4 [4.1]	110.0 [4.33]	10.3 [4.1]	11.7 [4.6]	2.6 [1.0]	10.7 [4.2]						
YALB352M12	35 (2)	2, 5	M12	35.1 [1.38]	21.1 [83]	44.5 [1.75]	13.3 [5.3]	116.4 [4.58]	13.5 [5.3]	11.7 [4.6]	3.0 [1.2]	13.9 [5.5]						
YALB352M5	35 (2)	2, 5	M5	35.1 [1.38]	17.2 [68]	44.5 [1.75]	5.3 [2.1]	102.1 [4.02]	6.4 [2.5]	11.7 [4.6]	2.6 [1.0]	6.8 [2.7]						

REV	DATE	DESCRIPTION	ECO	BY	CH'K.
C	01/22/2014	UPDATED AS PER MARKUP	34580	MVP	MB

CONNECTOR SIZE	TOLERANCES						
	B	C	E	K DIA.	L	N	O.D.
015 - 6	±.8 [03]	±1.0 [04]	±.5 [02]	±.5 [02]	±1.5 [06]	±.8 [03]	±.3 [01]
10 - 50	±1.5 [06]	±1.0 [04]	±.5 [02]	±.5 [02]	±2.3 [09]	±.8 [03]	±.3 [01]
70 - 240	±2.0 [08]	±1.0 [04]	±.5 [02]	±.5 [02]	±3.0 [12]	±.8 [03]	±.3 [01]
300 & ABOVE	±2.3 [09]	±1.5 [06]	±.5 [02]	±.5 [02]	±3.8 [15]	±1.5 [06]	±.3 [01]

NOTES:

1. SEE SHEET 1 FOR NOTES.

TO ORDER BURNDY® PRODUCTS CALL		HYLUG™	
UNITED STATES 1-800-346-4175 (LONDONDERRY, NH)		ITEM NO: --	
CANADA: 1-800-361-6975 (QUEBEC) 1-800-387-6487 (ALL OTHER PROVINCES)		CAT. NO: SEE TABLE	
FOR PRODUCT INFO: http://www.burndy.com		DRAWN BY: AUGUSTIN S 05/29/2013	
		CHECKER: R ROMAN 09/03/2013	
		DSN APRVL: R ROMAN 09/02/2013	
		MFG APRVL: _____	
		QA APRVL: T WATTS 06/02/2013	
		MKT APRVL: J SYLVIA 06/02/2013	
		PROJ FMT: _____	
		PROJECT #: _____	
		DOCUMENT TYPE: SALES	
		SIZE: B	
		DRAWING NO: 50025967	
		REV: C	
		SHEET 2 OF 5	

CATALOG NUMBER	COPPER CONDUCTOR		BOLT SIZE	DIMENSIONS								DIE INDEX	INSTALLATION TOOLING (# OF CRIMPS)				WIRE STRIP LENGTH (mm)	
	SIZE mm ² (AWG)	CLASS		B	C	E	K	L	N	O.D.	T REF.		Z MIN.	MECHANICAL		HYDRAULIC		DIELESS (# OF CRIMPS)
														MD6, OUR840 MD7-34R	PAT600, Y500CTHS			
YALB502M6	50 (2)	2	M6	35.1 [1.38]	17.2 [.68]	44.5 [1.75]	6.9 [.27]	105.2 [4.14]	7.9 [.31]	11.7 [.46]	2.6 [.10]	8.3 [.33]	12	W25VT (4) W25RT (4) X25RT (4)	W25VT (4) W25RT (4) X25RT (4)	U25RT (2)	MY29-11 (2) MRC840 (4) Y644 (1) PAT644 (1) Y81KFT (2) PAT81KFT (1)	37
YALB502M8	50 (2)	2	M8	35.1 [1.38]	17.2 [.68]	44.5 [1.75]	8.4 [.33]	106.8 [4.20]	8.7 [.34]	11.7 [.46]	2.6 [.10]	9.1 [.36]						
YALB502M10	50 (2)	2	M10	35.1 [1.38]	17.2 [.68]	44.5 [1.75]	10.4 [.41]	110.0 [4.33]	10.3 [.41]	11.7 [.46]	2.6 [.10]	10.7 [.42]						
YALB502M12	50 (2)	2	M12	35.1 [1.38]	21.1 [.83]	44.5 [1.75]	13.3 [.53]	116.4 [4.58]	13.5 [.53]	11.7 [.46]	3.0 [.12]	13.9 [.55]						
YALB502M14	50 (2)	2	M14	35.1 [1.38]	21.1 [.83]	44.5 [1.75]	15.1 [.59]	117.4 [4.62]	14.0 [.55]	11.7 [.46]	3.0 [.12]	14.4 [.57]						
YALB502M16	50 (2)	2	M16	35.1 [1.38]	21.1 [.83]	44.5 [1.75]	17.5 [.69]	122.7 [4.83]	16.7 [.66]	11.7 [.46]	3.0 [.12]	17.1 [.67]						
YALB702M5	70 (1/0)	2	M5	38.1 [1.50]	21.1 [.83]	44.5 [1.75]	5.3 [.21]	107.0 [4.21]	6.4 [.25]	14.3 [.56]	3.0 [.12]	6.8 [.27]	13	W26VT (4) W26RT (4) X26RT (4)	W26VT (4) W26RT (4) X26RT (4)	U26RT (2)	MY29-11 (2) MRC840 (4) Y644 (1) PAT644 (1) Y81KFT (2) PAT81KFT (2)	40
YALB702M6	70 (1/0)	2	M6	38.1 [1.50]	21.1 [.83]	44.5 [1.75]	6.9 [.27]	110.1 [4.33]	7.9 [.31]	14.3 [.56]	3.0 [.12]	8.3 [.33]						
YALB702M8	70 (1/0)	2	M8	38.1 [1.50]	21.1 [.83]	44.5 [1.75]	8.4 [.33]	111.7 [4.40]	8.7 [.34]	14.3 [.56]	3.0 [.12]	9.1 [.36]						
YALB702M10	70 (1/0)	2	M10	38.1 [1.50]	21.1 [.83]	44.5 [1.75]	10.4 [.41]	114.9 [4.52]	10.3 [.41]	14.3 [.56]	3.0 [.12]	10.7 [.42]						
YALB702M12	70 (1/0)	2	M12	38.1 [1.50]	21.1 [.83]	44.5 [1.75]	13.3 [.53]	121.3 [4.78]	13.5 [.53]	14.3 [.56]	3.0 [.12]	13.9 [.55]						
YALB702M14	70 (1/0)	2	M14	38.1 [1.50]	21.1 [.83]	44.5 [1.75]	15.1 [.59]	122.3 [4.81]	14.0 [.55]	14.3 [.56]	3.0 [.12]	14.4 [.57]						
YALB702M16	70 (1/0)	2	M16	38.1 [1.50]	21.1 [.83]	44.5 [1.75]	17.5 [.69]	130.9 [5.15]	16.7 [.66]	14.3 [.56]	3.0 [.12]	17.1 [.67]						
YALB952M8	95 (2/0)	2	M8	38.1 [1.50]	23.6 [.93]	44.5 [1.75]	8.4 [.33]	113.0 [4.45]	8.7 [.34]	16.1 [.63]	3.3 [.13]	9.1 [.36]	14	W27VT (4) W27RT (4) X27RT (6)	W27VT (4) W27RT (4) X27RT (6)	U27RT (2)	MY29-11 (2) MRC840 (4) Y644 (1) PAT644 (1) Y81KFT (2) PAT81KFT (2)	40
YALB952M10	95 (2/0)	2	M10	38.1 [1.50]	23.6 [.93]	44.5 [1.75]	10.4 [.41]	116.2 [4.57]	10.3 [.41]	16.1 [.63]	3.3 [.13]	10.7 [.42]						
YALB952M12	95 (2/0)	2	M12	38.1 [1.50]	23.6 [.93]	44.5 [1.75]	13.3 [.53]	122.5 [4.82]	13.5 [.53]	16.1 [.63]	3.3 [.13]	13.9 [.55]						
YALB952M14	95 (2/0)	2	M14	38.1 [1.50]	23.6 [.93]	44.5 [1.75]	15.1 [.59]	123.5 [4.86]	14.0 [.55]	16.1 [.63]	3.3 [.13]	14.4 [.57]						
YALB952M16	95 (2/0)	2	M16	38.1 [1.50]	23.6 [.93]	44.5 [1.75]	17.5 [.69]	128.9 [5.07]	16.7 [.66]	16.1 [.63]	3.3 [.13]	17.1 [.67]						
YALB952M20	95 (2/0)	2	M20	38.1 [1.50]	30.5 [1.20]	44.5 [1.75]	23.8 [.94]	140.0 [5.51]	22.2 [.88]	16.1 [.63]	4.1 [.16]	22.6 [.89]						

REV	DATE	DESCRIPTION	ECO	BY	CH'K.
C	01/22/2014	UPDATED AS PER MARKUP	34580	MVP	MB

CONNECTOR SIZE	TOLERANCES						
	B	C	E	K DIA.	L	N	O.D.
015 - 6	±.8 [.03]	±1.0 [.04]	±.5 [.02]	±.5 [.02]	±1.5 [.06]	±.8 [.03]	±.3 [.01]
10 - 50	±1.5 [.06]	±1.0 [.04]	±.5 [.02]	±.5 [.02]	±2.3 [.09]	±.8 [.03]	±.3 [.01]
70 - 240	±2.0 [.08]	±1.0 [.04]	±.5 [.02]	±.5 [.02]	±3.0 [.12]	±.8 [.03]	±.3 [.01]
300 & ABOVE	±2.3 [.09]	±1.5 [.06]	±.5 [.02]	±.5 [.02]	±3.8 [.15]	±1.5 [.06]	±.3 [.01]

NOTES:
1. SEE SHEET 1 FOR NOTES.

TO ORDER BURNDY® PRODUCTS CALL		HYLUG™	
UNITED STATES 1-800-346-4175 (LONDONDERRY, NH)		ITEM NO: --	
CANADA: 1-800-361-6975 (QUEBEC) 1-800-387-6487 (ALL OTHER PROVINCES)		CAT. NO: SEE TABLE	
FOR PRODUCT INFO: http://www.burndy.com		DRAWN BY: AUGUSTINIS 05/29/2013	
		CHECKER: R ROMAN 09/03/2013	
		DSN APRVL: R ROMAN 09/02/2013	
		MFG APRVL: _____	
		QA APRVL: T WATTS 06/02/2013	
		MKT APRVL: J SYLVIA 06/02/2013	
		PROD PART: _____	
		DRAWING NO	
		PROJECT #: _____	
		SIZE	
		DOCUMENT TYPE: SALES	
		50025967	
		REV	
		B	
		C	
		SHEET 3 OF 5	

CATALOG NUMBER	COPPER CONDUCTOR		BOLT SIZE	DIMENSIONS									DIE INDEX	INSTALLATION TOOLING (# OF CRIMPS)				WIRE STRIP LENGTH (mm)	
	SIZE mm ² (AWG)	CLASS		B	C	E	K	L	N	O.D.	T REF.	Z MIN.		MECHANICAL		HYDRAULIC			DIELESS (# OF CRIMPS)
														MD6, OUR840 MD7-34R	PAT600, Y500CTHS	Y35, Y39, Y750, Y46 PAT750			
YALB1202M8	120 (4/0)	2	M8	41.1 [1.62]	29.0 [1.14]	44.5 [1.75]	8.4 [1.33]	118.5 [4.67]	8.7 [1.34]	19.6 [1.77]	3.7 [1.15]	9.1 [1.36]	15	W28VT (4) W28RT (4) X28RT (6)	W28VT (4) W28RT (4) X28RT (6)	U28RT (2)	MY29-11 (2) MRC840 (4) Y644 (1) PAT644 (1) Y81KFT (2) PAT81KFT (2)	43	
YALB1202M10	120 (4/0)	2	M10	41.1 [1.62]	29.0 [1.14]	44.5 [1.75]	10.4 [1.41]	124.1 [4.89]	10.3 [1.41]	19.6 [1.77]	3.7 [1.15]	10.7 [1.42]							
YALB1202M12	120 (4/0)	2	M12	41.1 [1.62]	29.0 [1.14]	44.5 [1.75]	13.3 [1.53]	128.0 [5.04]	13.5 [1.53]	19.6 [1.77]	3.7 [1.15]	13.9 [1.55]							
YALB1202M14	120 (4/0)	2	M14	41.1 [1.62]	29.0 [1.14]	44.5 [1.75]	15.1 [1.59]	129.0 [5.08]	14.0 [1.55]	19.6 [1.77]	3.7 [1.15]	14.4 [1.57]							
YALB1202M16	120 (4/0)	2	M16	41.1 [1.62]	29.0 [1.14]	44.5 [1.75]	17.5 [1.69]	134.4 [5.29]	16.7 [1.66]	19.6 [1.77]	3.7 [1.15]	17.1 [1.67]							
YALB1202M20	120 (4/0)	2	M20	41.1 [1.62]	30.5 [1.20]	44.5 [1.75]	23.8 [1.94]	145.5 [5.73]	22.2 [1.88]	19.6 [1.77]	4.3 [1.17]	22.6 [1.89]							
YALB1502M8	150 (300)	2	M8	50.8 [2.00]	30.5 [1.20]	44.5 [1.75]	8.4 [1.33]	128.7 [5.07]	8.7 [1.34]	20.7 [1.81]	4.1 [1.16]	9.1 [1.36]							17
YALB1502M10	150 (300)	2	M10	50.8 [2.00]	30.5 [1.20]	44.5 [1.75]	10.4 [1.41]	131.8 [5.19]	10.3 [1.41]	20.7 [1.81]	4.1 [1.16]	10.7 [1.42]							
YALB1502M12	150 (300)	2	M12	50.8 [2.00]	30.5 [1.20]	44.5 [1.75]	13.3 [1.53]	138.2 [5.44]	13.5 [1.53]	20.7 [1.81]	4.1 [1.16]	13.9 [1.55]							
YALB1502M14	150 (300)	2	M14	50.8 [2.00]	30.5 [1.20]	44.5 [1.75]	15.1 [1.59]	139.2 [5.48]	14.0 [1.55]	20.7 [1.81]	4.1 [1.16]	14.4 [1.57]							
YALB1502M16	150 (300)	2	M16	50.8 [2.00]	30.5 [1.20]	44.5 [1.75]	17.5 [1.69]	145.2 [5.72]	16.7 [1.66]	20.7 [1.81]	4.1 [1.16]	17.1 [1.67]							
YALB1502M20	150 (300)	2	M20	50.8 [2.00]	30.5 [1.20]	44.5 [1.75]	23.8 [1.94]	156.3 [6.15]	22.2 [1.88]	20.7 [1.81]	4.1 [1.16]	22.6 [1.89]							
YALB1852M8	185 (350)	2	M8	50.8 [2.00]	32.8 [1.29]	44.5 [1.75]	8.4 [1.33]	129.7 [5.11]	8.7 [1.34]	22.2 [1.88]	4.4 [1.17]	9.1 [1.36]	18	W31VT (4)	W31VT (4) W31RT (4)	U31RT (4)	Y644 (1) PAT644 (1) Y81KFT (3) PAT81KFT (3)	52	
YALB1852M10	185 (350)	2	M10	50.8 [2.00]	32.8 [1.29]	44.5 [1.75]	10.4 [1.41]	132.8 [5.23]	10.3 [1.41]	22.2 [1.88]	4.4 [1.17]	10.7 [1.42]							
YALB1852M12	185 (350)	2	M12	50.8 [2.00]	32.8 [1.29]	44.5 [1.75]	13.3 [1.53]	139.2 [5.48]	13.5 [1.53]	22.2 [1.88]	4.4 [1.17]	13.9 [1.55]							
YALB1852M14	185 (350)	2	M14	50.8 [2.00]	32.8 [1.29]	44.5 [1.75]	15.1 [1.59]	139.7 [5.50]	14.0 [1.55]	22.2 [1.88]	4.4 [1.17]	14.4 [1.57]							
YALB1852M16	185 (350)	2	M16	50.8 [2.00]	32.8 [1.29]	44.5 [1.75]	17.5 [1.69]	145.5 [5.73]	16.7 [1.66]	22.2 [1.88]	4.4 [1.17]	17.1 [1.67]							
YALB1852M20	185 (350)	2	M20	50.8 [2.00]	32.8 [1.29]	44.5 [1.75]	23.8 [1.94]	156.7 [6.17]	22.2 [1.88]	22.2 [1.88]	4.4 [1.17]	22.6 [1.89]							
YALB2402M10	240 (500)	2	M10	57.2 [2.25]	39.4 [1.55]	44.5 [1.75]	10.4 [1.41]	142.4 [5.61]	10.3 [1.41]	26.9 [1.06]	5.7 [1.22]	10.7 [1.42]							20
YALB2402M12	240 (500)	2	M12	57.2 [2.25]	39.4 [1.55]	44.5 [1.75]	13.3 [1.53]	149.5 [5.89]	13.5 [1.53]	26.9 [1.06]	5.7 [1.22]	13.9 [1.55]							
YALB2402M14	240 (500)	2	M14	57.2 [2.25]	39.4 [1.55]	44.5 [1.75]	15.1 [1.59]	150.5 [5.93]	14.0 [1.55]	26.9 [1.06]	5.7 [1.22]	14.4 [1.57]							
YALB2402M16	240 (500)	2	M16	57.2 [2.25]	39.4 [1.55]	44.5 [1.75]	17.5 [1.69]	155.9 [6.14]	16.7 [1.66]	26.9 [1.06]	5.7 [1.22]	17.1 [1.67]							
YALB2402M20	240 (500)	2	M20	57.2 [2.25]	39.4 [1.55]	44.5 [1.75]	23.8 [1.94]	167.0 [6.57]	22.2 [1.88]	26.9 [1.06]	5.7 [1.22]	22.6 [1.89]							

REV	DATE	DESCRIPTION	ECO	BY	C'H'K.
C	01/22/2014	UPDATED AS PER MARKUP	34580	MVP	MB

CONNECTOR SIZE	TOLERANCES						
	B	C	E	K DIA.	L	N	O.D.
015 - 6	±.8 [.03]	±1.0 [.04]	±.5 [.02]	±.5 [.02]	±1.5 [.06]	±.8 [.03]	±.3 [.01]
10 - 50	±1.5 [.06]	±1.0 [.04]	±.5 [.02]	±.5 [.02]	±2.3 [.09]	±.8 [.03]	±.3 [.01]
70 - 240	±2.0 [.08]	±1.0 [.04]	±.5 [.02]	±.5 [.02]	±3.0 [.12]	±.8 [.03]	±.3 [.01]
300 & ABOVE	±2.3 [.09]	±1.5 [.06]	±.5 [.02]	±.5 [.02]	±3.8 [.15]	±1.5 [.06]	±.3 [.01]

NOTES:
1. SEE SHEET 1 FOR NOTES.

TO ORDER BURNDY® PRODUCTS CALL		HYLUG™	
UNITED STATES 1-800-346-4175 (LONDONDERRY, NH)		ITEM NO: --	
CANADA: 1-800-361-6975 (QUEBEC) 1-800-387-6487 (ALL OTHER PROVINCES)		CAT. NO: SEE TABLE	
FOR PRODUCT INFO: http://www.burndy.com		DRAWN BY: AUGUSTIN S 05/29/2013	
		CHECKER: R ROMAN 09/03/2013	
		DSN APRVL: R ROMAN 09/02/2013	
		MFG APRVL: _____	
		QA APRVL: T WATTS 06/02/2013	
		MKT APRVL: J SYLVIA 06/02/2013	
		PROJECT #:	
		DOCUMENT TYPE: SALES	
		REF LEVEL: Released	
		SIZE: B	
		DRAWING NO: 50025967	
		REV: C	
		SHEET 4 OF 5	

CATALOG NUMBER	COPPER CONDUCTOR		BOLT SIZE	DIMENSIONS								DIE INDEX	INSTALLATION TOOLING (# OF CRIMPS)				WIRE STRIP LENGTH (mm)		
	SIZE mm ² (AWG)	CLASS		B	C	E	K	L	N	O.D.	T REF.		Z MIN.	MECHANICAL		HYDRAULIC		DIELESS (# OF CRIMPS)	
														MD6, OUR840 MD7-34R	PAT600, Y500CTS	Y35, Y39, Y750, Y46 PAT750			<5
YALB3002M10	300 (600)	2	M10	68.3 [2.69]	44.2 [1.74]	44.5 [1.75]	10.4 [1.41]	156.2 [6.15]	10.3 [1.41]	28.4 [1.12]	6.6 [1.26]	10.7 [1.42]	22	--	--	U36RT (4)	Y644 (1) PAT644 (1) Y81KFT (4) PAT81KFT (4)	70	
YALB3002M12	300 (600)	2	M12	68.3 [2.69]	44.2 [1.74]	44.5 [1.75]	13.3 [1.53]	162.5 [6.40]	13.5 [1.53]	28.4 [1.12]	6.6 [1.26]	13.9 [1.55]							
YALB3002M14	300 (600)	2	M14	68.3 [2.69]	44.2 [1.74]	44.5 [1.75]	15.1 [1.59]	163.5 [6.44]	14.0 [1.55]	28.4 [1.12]	6.6 [1.26]	14.4 [1.57]							
YALB3002M16	300 (600)	2	M16	68.3 [2.69]	44.2 [1.74]	44.5 [1.75]	17.5 [1.69]	168.9 [6.65]	16.7 [1.66]	28.4 [1.12]	6.6 [1.26]	17.1 [1.67]							
YALB300M20	300 (600)	2	M20	68.3 [2.69]	44.2 [1.74]	44.5 [1.75]	23.8 [1.94]	179.5 [7.07]	22.2 [1.88]	28.4 [1.12]	6.6 [1.26]	22.6 [1.89]							
YALB4002M12	400 (800)	2	M12	74.6 [2.94]	50.2 [1.98]	44.5 [1.75]	13.3 [1.53]	171.4 [9.75]	13.5 [1.53]	34.3 [1.35]	7.5 [1.30]	13.9 [1.55]	24	--	--	U39RT (4)	Y644 (1) PAT644 (1) Y81KFT (4) PAT81KFT (4)	76	
YALB4002M14	400 (800)	2	M14	74.6 [2.94]	50.2 [1.98]	44.5 [1.75]	15.1 [1.59]	172.4 [6.79]	14.0 [1.55]	34.3 [1.35]	7.5 [1.30]	14.4 [1.57]							
YALB4002M16	400 (800)	2	M16	74.6 [2.94]	50.2 [1.98]	44.5 [1.75]	17.5 [1.69]	177.8 [7.00]	16.7 [1.66]	34.3 [1.35]	7.5 [1.30]	17.1 [1.67]							
YALB4002M20	400 (800)	2	M20	74.6 [2.94]	50.2 [1.98]	44.5 [1.75]	23.8 [1.94]	188.9 [7.44]	22.2 [1.88]	34.3 [1.35]	7.5 [1.30]	22.6 [1.89]							
YALB5002M12	500 (1000)	2	M12	76.2 [3.00]	55.7 [2.19]	44.5 [1.75]	13.3 [1.53]	176.5 [6.95]	13.5 [1.53]	38.1 [1.50]	8.2 [1.32]	13.9 [1.55]	L115	--	--	U44XRT (4)	Y644 (1) PAT644 (1) Y81KFT (4) PAT81KFT (4)	78	
YALB5002M16	500 (1000)	2	M16	76.2 [3.00]	55.7 [2.19]	44.5 [1.75]	17.5 [1.69]	182.8 [7.20]	16.7 [1.66]	38.1 [1.50]	8.2 [1.32]	17.1 [1.67]							
YALB5002M20	500 (1000)	2	M20	76.2 [3.00]	55.7 [2.19]	44.5 [1.75]	23.8 [1.94]	194.0 [7.64]	22.2 [1.88]	38.1 [1.50]	8.2 [1.32]	22.6 [1.89]							
YALB6302M12	630 (1250)	2	M12	81.0 [3.19]	62.5 [2.46]	44.5 [1.75]	13.3 [1.53]	184.0 [7.24]	13.5 [1.53]	42.9 [1.69]	9.5 [1.38]	13.9 [1.55]	29	--	--	P45RT (6)	--	83	
YALB6302M16	630 (1250)	2	M16	81.0 [3.19]	62.5 [2.46]	44.5 [1.75]	17.5 [1.69]	190.4 [7.50]	16.7 [1.66]	42.9 [1.69]	9.5 [1.38]	17.1 [1.67]							
YALB6302M20	630 (1250)	2	M20	81.0 [3.19]	62.5 [2.46]	44.5 [1.75]	23.8 [1.94]	201.5 [7.93]	22.2 [1.88]	42.9 [1.69]	9.5 [1.38]	22.6 [1.89]							

REV	DATE	DESCRIPTION	ECO	BY	C'H'K.
C	01/22/2014	UPDATED AS PER MARKUP	34580	MVP	MB

CONNECTOR SIZE	TOLERANCES						
	B	C	E	K DIA.	L	N	O.D.
015 - 6	± .8 [.03]	± 1.0 [.04]	± .5 [.02]	± .5 [.02]	± 1.5 [.06]	± .8 [.03]	± .3 [.01]
10 - 50	± 1.5 [.06]	± 1.0 [.04]	± .5 [.02]	± .5 [.02]	± 2.3 [.09]	± .8 [.03]	± .3 [.01]
70 - 240	± 2.0 [.08]	± 1.0 [.04]	± .5 [.02]	± .5 [.02]	± 3.0 [.12]	± .8 [.03]	± .3 [.01]
300 & ABOVE	± 2.3 [.09]	± 1.5 [.06]	± .5 [.02]	± .5 [.02]	± 3.8 [.15]	± 1.5 [.06]	± .3 [.01]

NOTES:

- SEE SHEET 1 FOR NOTES.

TO ORDER BURNDY® PRODUCTS CALL		HYLUG™	
UNITED STATES 1-800-346-4175 (LONDONDERRY, NH)		ITEM NO: --	
CANADA: 1-800-361-6975 (QUEBEC) 1-800-387-6487 (ALL OTHER PROVINCES)		CAT. NO: SEE TABLE	
FOR PRODUCT INFO: http://www.burndy.com		DRAWN BY: AUGUSTIN S 05/29/2013	
		CHECKER: R ROMAN 09/03/2013	
		DSN APRVL: R ROMAN 09/02/2013	
		MFG APRVL: []	
		QA APRVL: T WATTS 06/02/2013	
		MKT APRVL: J SYLVIA 06/02/2013	
		PROD PART: []	
		DRAWING NO	
		PROJECT #: []	
		SIZE	
		DOCUMENT TYPE: SALES	
		B	
		50025967	
		REV	
		C	
		SHEET 5 OF 5	