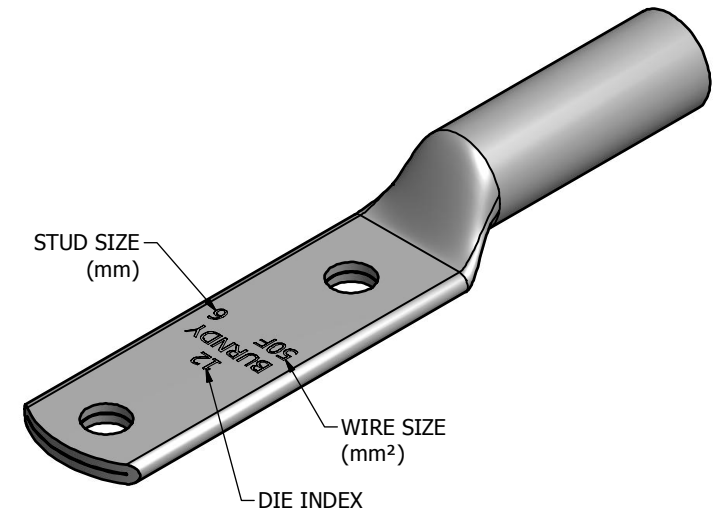
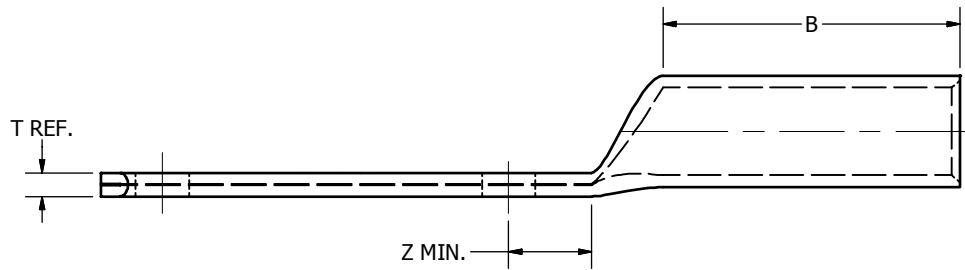
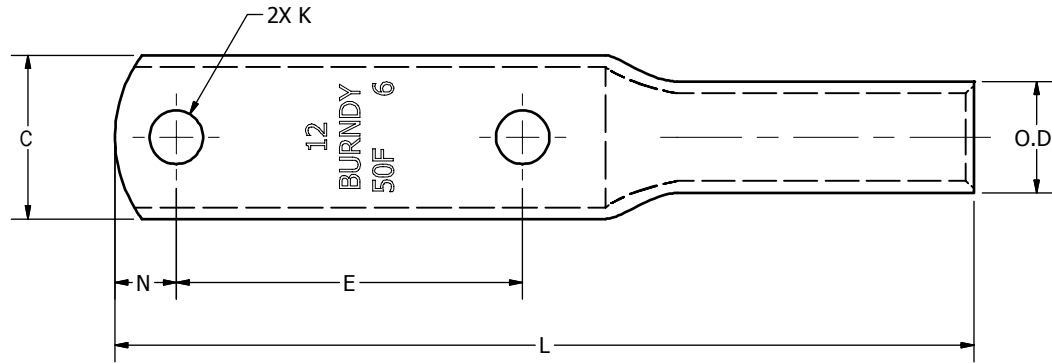


REV	DATE	DESCRIPTION	ECO	BY	C'HK.
C	01/22/2014	UPDATED AS PER MARKUP	34580	MVP	MB



**NOTES:**

1. MATERIAL: COPPER TUBING.
2. FINISH: TIN PLATED.
3. DIMENSIONS IN BRACKETS [ ] ARE IN INCHES ROUNDED OFF TO THE NEAREST HUNDRETH, UNLESS OTHERWISE NOTED, AND ARE FOR REFERENCE ONLY.
4. CONNECTORS ARE COMPATIBLE WITH THE FOLLOWING STANDARDS:  
IEC-61238-1, UL486A/B (USA), CSA-C22.2 No 65-03 (CANADA)
5. CATALOG # PUDAP-1 ADAPTOR IS REQUIRED TO USE 'U' DIES IN Y46 SERIES TOOLS.
6. USE THE EQUIVALENT AWG SETTING ON TOOL FOR INSTALLATION.

TO ORDER BURNDY® PRODUCTS CALL		HYLUG™	
UNITED STATES 1-800-346-4175 (LONDONDERRY, NH)		ITEM NO: --	
CANADA: 1-800-361-6975 (QUEBEC) 1-800-387-6487 (ALL OTHER PROVINCES)		CAT. NO: SEE TABLE	
FOR PRODUCT INFO: <a href="http://www.burndy.com">http://www.burndy.com</a>		DRAWN BY: A BHARATH 05/29/2013	
		CHECKED BY: R ROMAN 09/04/2013	
		DSN APRVL: R ROMAN 09/03/2013	
		MFG APRVL: [ ]	
		QA APRVL: T WATTS 06/03/2013	
		MKT APRVL: J SYLVIA 06/03/2013	
		PROJECT #:	
		SIZE	
		DRAWING NO	
		REV	
		50025984	
		C	
		SHEET 1 OF 4	

CATALOG NUMBER	COPPER CONDUCTOR		BOLT SIZE	DIMENSIONS									DIE INDEX	INSTALLATION TOOLING (# OF CRIMPS)				WIRE STRIP LENGTH (mm)	
	SIZE mm2 (AWG)	CLASS		B	C	E	K	L	N	O.D.	T REF.	Z MIN.		MECHANICAL		HYDRAULIC			DIELESS (# OF CRIMPS)
														MD6, OUR840 MD7-34R	PAT600, Y500CTS	Y35, Y39, Y750, Y46	PAT750		
YALB50F2M6	50 (2)	5	M6	38.1 [1.50]	21.1 [.83]	44.5 [1.75]	6.9 [.27]	110.2 [4.34]	7.9 [.31]	14.3 [.56]	3.0 [.12]	8.4 [.33]	12	W25VT (4) W25RT (4) X25RT (4)	W25VT (4) W25RT (4) X25RT (4)	U25RT (2)	MY29-11 (2) MRC840 (4) Y644 (1) PAT644 (1) Y81KFT (2) PAT81KFT (1)	40	
YALB50F2M8	50 (2)	5	M8	38.1 [1.50]	21.1 [.83]	44.5 [1.75]	8.4 [.33]	112.0 [4.41]	8.7 [.34]	14.3 [.56]	3.0 [.12]	9.1 [.36]							
YALB50F2M10	50 (2)	5	M10	38.1 [1.50]	21.1 [.83]	44.5 [1.75]	10.4 [.41]	115.1 [4.53]	10.3 [.41]	14.3 [.56]	3.0 [.12]	10.7 [.42]							
YALB50F2M12	50 (2)	5	M12	38.1 [1.50]	21.1 [.83]	44.5 [1.75]	13.5 [.53]	121.4 [4.78]	13.5 [.53]	14.3 [.56]	3.0 [.12]	14.0 [.55]							
YALB50F2M14	50 (2)	5	M14	38.1 [1.50]	21.1 [.83]	44.5 [1.75]	15.0 [.59]	122.4 [4.82]	14.0 [.55]	14.3 [.56]	3.0 [.12]	14.5 [.57]							
YALB50F2M16	50 (2)	5	M16	38.1 [1.50]	21.1 [.83]	44.5 [1.75]	17.5 [.69]	131.1 [5.16]	16.7 [.66]	14.3 [.56]	3.0 [.12]	17.0 [.67]							
YALB70F2M5	70 (1/0)	5	M5	38.1 [1.50]	23.6 [.93]	44.5 [1.75]	5.3 [.21]	108.0 [4.25]	6.4 [.25]	16.1 [.63]	3.3 [.13]	6.8 [.27]	13	W26VT (4) W26RT (4) X26RT (4)	W26VT (4) W26RT (4) X26RT (4)	U26RT (2)	MY29-11 (2) MRC840 (4) Y644 (1) PAT644 (1) Y81KFT (2) PAT81KFT (2)	40	
YALB70F2M6	70 (1/0)	5	M6	38.1 [1.50]	23.6 [.93]	44.5 [1.75]	6.9 [.27]	111.0 [4.37]	7.9 [.31]	16.1 [.63]	3.3 [.13]	8.4 [.33]							
YALB70F2M8	70 (1/0)	5	M8	38.1 [1.50]	23.6 [.93]	44.5 [1.75]	8.4 [.33]	113.3 [4.46]	8.7 [.34]	16.1 [.63]	3.3 [.13]	9.1 [.36]							
YALB70F2M10	70 (1/0)	5	M10	38.1 [1.50]	23.6 [.93]	44.5 [1.75]	10.4 [.41]	116.3 [4.58]	10.3 [.41]	16.1 [.63]	3.3 [.13]	10.7 [.42]							
YALB70F2M12	70 (1/0)	5	M12	38.1 [1.50]	23.6 [.93]	44.5 [1.75]	13.5 [.53]	122.7 [4.83]	13.5 [.53]	16.1 [.63]	3.3 [.13]	14.0 [.55]							
YALB70F2M14	70 (1/0)	5	M14	38.1 [1.50]	23.6 [.93]	44.5 [1.75]	15.0 [.59]	123.7 [4.87]	14.0 [.55]	16.1 [.63]	3.3 [.13]	14.5 [.57]							
YALB70F2M16	70 (1/0)	5	M16	38.1 [1.50]	23.6 [.93]	44.5 [1.75]	17.5 [.69]	129.0 [5.08]	16.7 [.66]	16.1 [.63]	3.3 [.13]	17.0 [.67]							
YALB95F2M8	95 (2/0)	5	M8	38.1 [1.50]	26.0 [1.03]	44.5 [1.75]	8.4 [.33]	114.3 [4.50]	8.6 [.34]	18.0 [.70]	4.0 [.14]	9.1 [.36]	14	W27VT (4) W27RT (4) X27RT (6)	W27VT (4) W27RT (4) X27RT (6)	U27RT (2)	MY29-11 (2) MRC840 (4) Y644 (1) PAT644 (1) Y81KFT (2) PAT81KFT (2)	40	
YALB95F2M10	95 (2/0)	5	M10	38.1 [1.50]	26.0 [1.03]	44.5 [1.75]	10.4 [.41]	117.5 [4.63]	10.4 [.41]	18.0 [.70]	4.0 [.14]	10.7 [.42]							
YALB95F2M12	95 (2/0)	5	M12	38.1 [1.50]	26.0 [1.03]	44.5 [1.75]	13.5 [.53]	123.8 [4.88]	13.0 [.53]	18.0 [.70]	4.0 [.14]	14.0 [.55]							
YALB95F2M14	95 (2/0)	5	M14	38.1 [1.50]	26.0 [1.03]	44.5 [1.75]	15.0 [.59]	124.9 [4.92]	14.0 [.55]	18.0 [.70]	4.0 [.14]	14.5 [.57]							
YALB95F2M16	95 (2/0)	5	M16	38.1 [1.50]	26.0 [1.03]	44.5 [1.75]	17.5 [.69]	130.2 [5.13]	16.7 [.66]	18.0 [.70]	4.0 [.14]	17.0 [.67]							
YALB95F2M20	95 (2/0)	5	M20	38.1 [1.50]	26.0 [1.03]	44.5 [1.75]	23.8 [.94]	141.3 [5.56]	22.4 [.88]	18.0 [.70]	4.0 [.14]	22.6 [.89]							

REV	DATE	DESCRIPTION	ECO	BY	C'H'K.
C	01/22/2014	UPDATED AS PER MARKUP	34580	MVP	MB

CONNECTOR SIZE	TOLERANCES						
	B	C	E	K DIA.	L	N	O.D.
015 - 6	±.8 [.03]	±1.0 [.04]	±.5 [.02]	±.5 [.02]	±1.5 [.06]	±.8 [.03]	±.3 [.01]
10 - 50	±1.5 [.06]	±1.0 [.04]	±.5 [.02]	±.5 [.02]	±2.3 [.09]	±.8 [.03]	±.3 [.01]
70 - 240	±2.0 [.08]	±1.0 [.04]	±.5 [.02]	±.5 [.02]	±3.0 [.12]	±.8 [.03]	±.3 [.01]
300 & ABOVE	±2.3 [.09]	±1.5 [.06]	±.5 [.02]	±.5 [.02]	±3.8 [.15]	±1.5 [.06]	±.3 [.01]

NOTES:

1. SEE SHEET 1 FOR NOTES.

TO ORDER BURNDY® PRODUCTS CALL		HYLUG™	
UNITED STATES 1-800-346-4175 (LONDONDERRY, NH)		ITEM NO: --	
CANADA: 1-800-361-6975 (QUEBEC) 1-800-387-6487 (ALL OTHER PROVINCES)		CAT. NO: SEE TABLE	
FOR PRODUCT INFO: <a href="http://www.burndy.com">http://www.burndy.com</a>		DRAWN BY: A BHARATH 05/29/2013	
		CHECKED BY: R ROMAN 09/04/2013	
		DSN APRVL: R ROMAN 09/03/2013	
		MFG APRVL: 06/03/2013	
		QA APRVL: T WATTS 06/03/2013	
		MKT APRVL: J SYLVIA 06/03/2013	
		PROJ PART: 50025984	
		DRAWING NO: B	
		PROJECT #: 50025984	
		DOCUMENT TYPE: SALES	
		REV: C	
		SHEET 2 OF 4	

CATALOG NUMBER	COPPER CONDUCTOR		BOLT SIZE	DIMENSIONS								DIE INDEX	INSTALLATION TOOLING (# OF CRIMPS)				WIRE STRIP LENGTH (mm)	
	SIZE mm <sup>2</sup> (AWG)	CLASS		B	C	E	K	L	N	O.D.	T REF.		Z MIN.	MECHANICAL		DIELESS (# OF CRIMPS)		
														MD6, OUR840 MD7-34R	PAT600, Y500CTS			Y35, Y39, Y750, Y46 PAT750
YALB120F2M8	120 (4/0)	5	M8	41.1 [1.62]	29.0 [1.14]	44.5 [1.75]	8.4 [1.33]	118.6 [4.67]	8.7 [1.34]	19.6 [1.77]	3.7 [1.15]	9.1 [1.36]	15	W28VT (4) W28RT (4) X28RT (6)	W28VT (4) W28RT (4) X28RT (6)	U28RT (2)	MY29-11 (2) MRC840 (4) Y644 (1) PAT644 (1) Y81KFT (2) PAT81KFT (2)	43
YALB120F2M10	120 (4/0)	5	M10	41.1 [1.62]	29.0 [1.14]	44.5 [1.75]	10.4 [1.41]	124.2 [4.89]	10.4 [1.41]	19.6 [1.77]	3.7 [1.15]	10.7 [1.42]						
YALB120F2M12	120 (4/0)	5	M12	41.1 [1.62]	29.0 [1.14]	44.5 [1.75]	13.5 [1.53]	128.3 [5.05]	13.5 [1.53]	19.6 [1.77]	3.7 [1.15]	14.0 [1.55]						
YALB120F2M14	120 (4/0)	5	M14	41.1 [1.62]	29.0 [1.14]	44.5 [1.75]	15.0 [1.59]	129.3 [5.09]	14.0 [1.55]	19.6 [1.77]	3.7 [1.15]	14.5 [1.57]						
YALB120F2M16	120 (4/0)	5	M16	41.1 [1.62]	29.0 [1.14]	44.5 [1.75]	17.5 [1.69]	134.6 [5.30]	16.7 [1.66]	19.6 [1.77]	3.7 [1.15]	17.0 [1.67]						
YALB120F2M20	120 (4/0)	5	M20	41.1 [1.62]	30.5 [1.20]	44.5 [1.75]	23.8 [1.94]	145.8 [5.74]	22.2 [1.88]	19.6 [1.77]	4.3 [1.17]	22.6 [1.89]						
YALB150F2M8	150 (262)	5	M8	50.8 [2.00]	32.8 [1.29]	44.5 [1.75]	8.4 [1.33]	129.8 [5.11]	8.7 [1.34]	22.2 [1.88]	4.4 [1.17]	9.1 [1.36]	17	W30VT (4) W30RT (4)	U30RT (4)	Y644 (1) PAT644 (1) Y81KFT (3) PAT81KFT (3)	52	
YALB150F2M10	150 (262)	5	M10	50.8 [2.00]	32.8 [1.29]	44.5 [1.75]	10.4 [1.41]	133.1 [5.24]	10.4 [1.41]	22.2 [1.88]	4.4 [1.17]	10.7 [1.42]						
YALB150F2M12	150 (262)	5	M12	50.8 [2.00]	32.8 [1.29]	44.5 [1.75]	13.5 [1.53]	139.4 [5.49]	13.5 [1.53]	22.2 [1.88]	4.4 [1.17]	14.0 [1.55]						
YALB150F2M14	150 (262)	5	M14	50.8 [2.00]	32.8 [1.29]	44.5 [1.75]	15.0 [1.59]	140.0 [5.51]	14.0 [1.55]	22.2 [1.88]	4.4 [1.17]	14.5 [1.57]						
YALB150F2M16	150 (262)	5	M16	50.8 [2.00]	32.8 [1.29]	44.5 [1.75]	17.5 [1.69]	145.8 [5.74]	16.7 [1.66]	22.2 [1.88]	4.4 [1.17]	17.0 [1.67]						
YALB150F2M20	150 (262)	5	M20	50.8 [2.00]	32.8 [1.29]	44.5 [1.75]	23.8 [1.94]	157.0 [6.18]	22.2 [1.88]	22.2 [1.88]	4.4 [1.17]	22.6 [1.89]						
YALB185F2M8	185 (300)	5	M8	53.8 [2.12]	35.6 [1.40]	44.5 [1.75]	8.4 [1.33]	134.2 [5.28]	8.7 [1.34]	24.1 [1.95]	5.0 [1.19]	9.1 [1.36]	18	W31VT (4) W31RT (4)	U31RT (4)	Y644 (1) PAT644 (1) Y81KFT (3) PAT81KFT (3)	52	
YALB185F2M10	185 (300)	5	M10	53.8 [2.12]	35.6 [1.40]	44.5 [1.75]	10.4 [1.41]	137.4 [5.41]	10.4 [1.41]	24.1 [1.95]	5.0 [1.19]	10.7 [1.42]						
YALB185F2M12	185 (300)	5	M12	53.8 [2.12]	35.6 [1.40]	44.5 [1.75]	13.5 [1.53]	143.7 [5.66]	13.5 [1.53]	24.1 [1.95]	5.0 [1.19]	14.0 [1.55]						
YALB185F2M14	185 (300)	5	M14	53.8 [2.12]	35.6 [1.40]	44.5 [1.75]	15.0 [1.59]	144.7 [5.70]	14.0 [1.55]	24.1 [1.95]	5.0 [1.19]	14.5 [1.57]						
YALB185F2M16	185 (300)	5	M16	53.8 [2.12]	35.6 [1.40]	44.5 [1.75]	17.5 [1.69]	150.1 [5.91]	16.7 [1.66]	24.1 [1.95]	5.0 [1.19]	17.0 [1.67]						
YALB185F2M20	185 (300)	5	M20	53.8 [2.12]	35.6 [1.40]	44.5 [1.75]	23.8 [1.94]	161.2 [6.35]	22.2 [1.88]	24.1 [1.95]	5.0 [1.19]	22.6 [1.89]						

REV	DATE	DESCRIPTION	ECO	BY	CH'K.
C	01/22/2014	UPDATED AS PER MARKUP	34580	MVP	MB

CONNECTOR SIZE	TOLERANCES						
	B	C	E	K DIA.	L	N	O.D.
015 - 6	±.8 [.03]	± 1.0 [.04]	±.5 [.02]	±.5 [.02]	± 1.5 [.06]	±.8 [.03]	±.3 [.01]
10 - 50	± 1.5 [.06]	± 1.0 [.04]	±.5 [.02]	±.5 [.02]	± 2.3 [.09]	±.8 [.03]	±.3 [.01]
70 - 240	± 2.0 [.08]	± 1.0 [.04]	±.5 [.02]	±.5 [.02]	± 3.0 [.12]	±.8 [.03]	±.3 [.01]
300 & ABOVE	± 2.3 [.09]	± 1.5 [.06]	±.5 [.02]	±.5 [.02]	± 3.8 [.15]	± 1.5 [.06]	±.3 [.01]

NOTES:

- SEE SHEET 1 FOR NOTES.

TO ORDER BURNDY® PRODUCTS CALL		HYLUG™	
UNITED STATES 1-800-346-4175 (LONDONDERRY, NH)		ITEM NO: --	
CANADA: 1-800-361-6975 (QUEBEC) 1-800-387-6487 (ALL OTHER PROVINCES)		CAT. NO: SEE TABLE	
FOR PRODUCT INFO: <a href="http://www.burndy.com">http://www.burndy.com</a>		DRAWN BY: A BHARATH 05/29/2013	
		CHECKED BY: R ROMAN 09/04/2013	
		DSN APRVL: R ROMAN 09/03/2013	
		MFG APRVL: _____	
		QA APRVL: T WATTS 06/03/2013	
		MKT APRVL: J SYLVIA 06/03/2013	
		PROJ PART: _____	
		PROJECT #: _____	
		DOCUMENT TYPE: SALES	
		REF LEVEL: Released	
		SIZE	DRAWING NO
		B	50025984
			REV
			C
		SHEET 3 OF 4	

CATALOG NUMBER	COPPER CONDUCTOR		BOLT SIZE	DIMENSIONS								DIE INDEX	INSTALLATION TOOLING (# OF CRIMPS)				WIRE STRIP LENGTH (mm)	
	SIZE mm2 (AWG)	CLASS		B	C	E	K	L	N	O.D.	T REF.		Z MIN.	MECHANICAL MD6, OUR840 MD7-34R	HYDRAULIC PAT600, Y500CTS W34VT (4) W34RT (4)	Y35, Y39, Y750, Y46 PAT750		DIELESS (# OF CRIMPS)
YALB240F2M10	240 (350)	5	M10	57.2 [2.25]	39.4 [1.55]	44.5 [1.75]	10.4 [1.41]	142.7 [5.62]	10.4 [1.41]	26.9 [1.06]	5.7 [1.22]	10.7 [1.42]	20	W34VT (4)	W34RT (4)	U34RT (4)	Y644 (1) PAT644 (1) Y81KFT (4) PAT81KFT (4)	59
YALB240F2M12	240 (350)	5	M12	57.2 [2.25]	39.4 [1.55]	44.5 [1.75]	13.5 [1.53]	149.9 [5.90]	13.5 [1.53]	26.9 [1.06]	5.7 [1.22]	14.0 [1.55]						
YALB240F2M14	240 (350)	5	M14	57.2 [2.25]	39.4 [1.55]	44.5 [1.75]	15.0 [1.59]	150.9 [5.94]	14.0 [1.06]	26.9 [1.06]	5.7 [1.22]	14.5 [1.57]						
YALB240F2M16	240 (350)	5	M16	57.2 [2.25]	39.4 [1.55]	44.5 [1.75]	17.5 [1.69]	156.2 [6.15]	16.7 [1.66]	26.9 [1.06]	5.7 [1.22]	17.0 [1.67]						
YALB240F2M20	240 (350)	5	M20	57.2 [2.25]	39.4 [1.55]	44.5 [1.75]	23.8 [1.94]	167.1 [6.58]	22.2 [1.88]	26.9 [1.06]	5.7 [1.22]	22.6 [1.89]	22	---	---	U36RT (4)	Y644 (1) PAT644 (1) Y81KFT (4) PAT81KFT (4)	73
YALB300F2M10	300 (500)	5	M10	71.4 [2.81]	47.0 [1.84]	44.5 [1.75]	10.4 [1.41]	160.7 [6.33]	10.4 [1.25]	32.0 [1.25]	7.0 [1.27]	10.7 [1.42]						
YALB300F2M12	300 (500)	5	M12	71.4 [2.81]	47.0 [1.84]	44.5 [1.75]	13.5 [1.53]	167.1 [6.58]	13.5 [1.53]	32.0 [1.25]	7.0 [1.27]	14.0 [1.55]						
YALB300F2M14	300 (500)	5	M14	71.4 [2.81]	47.0 [1.84]	44.5 [1.75]	15.0 [1.59]	168.1 [6.62]	14.0 [1.25]	32.0 [1.25]	7.0 [1.27]	14.5 [1.57]						
YALB300F2M16	300 (500)	5	M16	71.4 [2.81]	47.0 [1.84]	44.5 [1.75]	17.5 [1.69]	173.4 [6.83]	16.7 [1.66]	32.0 [1.25]	7.0 [1.27]	17.0 [1.67]	24	---	---	U39RT (4)	Y644 (1) PAT644 (1) Y81KFT (4) PAT81KFT (4)	76
YALB300F2M20	300 (500)	5	M20	71.4 [2.81]	47.0 [1.84]	44.5 [1.75]	23.8 [1.94]	184.5 [7.27]	22.2 [1.88]	32.0 [1.25]	7.0 [1.27]	22.6 [1.89]						
YALB400F2M12	400 (650)	5	M12	74.6 [2.94]	50.2 [1.98]	44.5 [1.75]	13.5 [1.53]	171.7 [6.76]	13.5 [1.53]	34.3 [1.35]	7.5 [1.30]	14.0 [1.55]						
YALB400F2M14	400 (650)	5	M14	74.6 [2.94]	50.2 [1.98]	44.5 [1.75]	15.0 [1.59]	172.7 [6.80]	14.0 [1.55]	34.3 [1.35]	7.5 [1.30]	14.5 [1.57]						
YALB400F2M16	400 (650)	5	M16	74.6 [2.94]	50.2 [1.98]	44.5 [1.75]	17.5 [1.69]	178.1 [7.01]	16.7 [1.66]	34.3 [1.35]	7.5 [1.30]	17.0 [1.67]	L115	---	---	U44XRT (4)	Y644 (1) PAT644 (1) Y81KFT (4) PAT81KFT (4)	78
YALB400F2M20	400 (650)	5	M20	74.6 [2.94]	50.2 [1.98]	44.5 [1.75]	23.8 [1.94]	189.2 [7.45]	22.2 [1.88]	34.3 [1.35]	7.5 [1.30]	22.6 [1.89]						
YALB500F2M12	500 (750)	5	M12	76.2 [3.00]	55.7 [2.19]	44.5 [1.75]	13.5 [1.53]	176.8 [6.96]	13.5 [1.53]	38.1 [1.50]	8.2 [1.32]	14.0 [1.55]						
YALB500F2M16	500 (750)	5	M16	76.2 [3.00]	55.7 [2.19]	44.5 [1.75]	17.5 [1.69]	183.1 [7.21]	16.7 [1.66]	38.1 [1.50]	8.2 [1.32]	17.0 [1.67]						
YALB500F2M20	500 (750)	5	M20	76.2 [3.00]	55.7 [2.19]	44.5 [1.75]	23.8 [1.94]	194.1 [7.64]	22.2 [1.88]	38.1 [1.50]	8.2 [1.32]	22.6 [1.89]	31	---	---	P46RT (6)	---	83
YALB630F2M12	630	5	M12	81.0 [3.19]	68.3 [2.69]	44.5 [1.75]	13.5 [1.53]	186.9 [7.36]	13.5 [1.53]	46.7 [1.84]	9.9 [1.39]	14.0 [1.55]						
YALB630F2M16	630	5	M16	81.0 [3.19]	68.3 [2.69]	44.5 [1.75]	17.5 [1.69]	193.3 [7.61]	16.7 [1.66]	46.7 [1.84]	9.9 [1.39]	17.0 [1.67]						
YALB630F2M20	630	5	M20	81.0 [3.19]	68.3 [2.69]	44.5 [1.75]	23.8 [1.94]	204.4 [8.05]	22.2 [1.88]	46.7 [1.84]	9.9 [1.39]	22.6 [1.89]						

REV	DATE	DESCRIPTION	ECO	BY	C'H'K.
C	01/22/2014	UPDATED AS PER MARKUP	34580	MVP	MB

CONNECTOR SIZE	TOLERANCES						
	B	C	E	K DIA.	L	N	O.D.
015 - 6	±.8 [.03]	±1.0 [.04]	±.5 [.02]	±.5 [.02]	±1.5 [.06]	±.8 [.03]	±.3 [.01]
10 - 50	±1.5 [.06]	±1.0 [.04]	±.5 [.02]	±.5 [.02]	±2.3 [.09]	±.8 [.03]	±.3 [.01]
70 - 240	±2.0 [.08]	±1.0 [.04]	±.5 [.02]	±.5 [.02]	±3.0 [.12]	±.8 [.03]	±.3 [.01]
300 & ABOVE	±2.3 [.09]	±1.5 [.06]	±.5 [.02]	±.5 [.02]	±3.8 [.15]	±1.5 [.06]	±.3 [.01]

NOTES:

1. SEE SHEET 1 FOR NOTES.

TO ORDER BURNDY® PRODUCTS CALL		HYLUG™	
UNITED STATES 1-800-346-4175 (LONDONDERRY, NH)		ITEM NO: --	
CANADA: 1-800-361-6975 (QUEBEC)		CAT. NO: SEE TABLE	
1-800-387-6487 (ALL OTHER PROVINCES)		DRAWN BY: A BHARATH 05/29/2013	
FOR PRODUCT INFO: <a href="http://www.burndy.com">http://www.burndy.com</a>		CHECKED BY: R ROMAN 09/04/2013	
		DSN APRVL: R ROMAN 09/03/2013	
		MFG APRVL: 06/03/2013	
		QA APRVL: T WATTS 06/03/2013	
		MKT APRVL: J SYLVIA 06/03/2013	
		PROJ FMT: 06/03/2013	
		DRAWING NO	
		PROJECT #: 50025984	
		DOCUMENT TYPE: SALES	
		SIZE: B	
		REV: C	
		SHEET 1 OF 4	