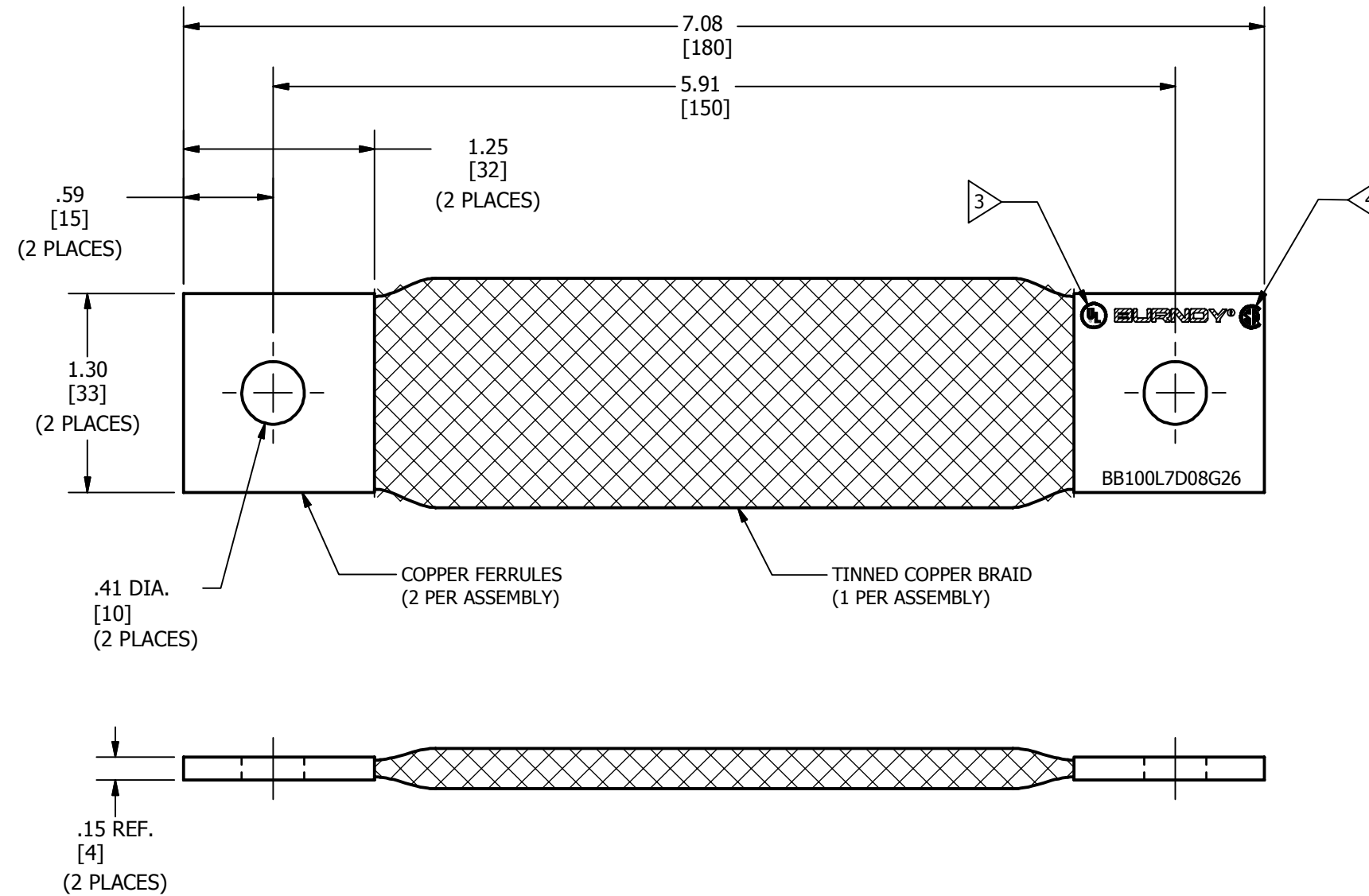


REV	DATE	DESCRIPTION	ECO	BY	C'H'K.
A	06/06/2013	RELEASE SALES DRAWING	32004	RG	DK



NOTES:

1. APPROXIMATE AMP. RATING: 300A. THIS RATING MAY VARY WITH AMBIENT CONDITIONS, ORIENTATION OF THE BRAID AND OTHER SERVICE CONDITIONS.
2. DIMENSIONS IN BRACKETS [] ARE IN MILLIMETERS ROUNDED OFF TO THE NEAREST MILLIMETER, UNLESS OTHERWISE SPECIFIED AND ARE FOR REFERENCE ONLY.
- 3 LISTED TO UL 467 GROUNDING AND BONDING EQUIPMENT STANDARDS.
- 4 LISTED TO CSA 22.2 NO.41 GROUNDING AND BONDING EQUIPMENT STANDARDS.

TO ORDER BURNDY® PRODUCTS CALL UNITED STATES 1-800-346-4175 (LONDONDERRY, NH) CANADA: 1-800-361-6975 (QUEBEC) 1-800-387-6487 (ALL OTHER PROVINCES) FOR PRODUCT INFO: http://www.burndy.com	BRAID		
	ITEM NO: 50026139		
	CAT. NO: BB100L7D08G26		
	DRAWN BY: YUVARAJ.M	5/31/2013	BURNDY®
	CHECKER: R. TROY	6/11/2013	
	DSN APRVL: C. RICARDO	6/11/2013	
MFG APRVL:			
QA APRVL: M. JOEL	6/19/2013		
MKT APRVL: R. KATHLEEN	6/11/2013		
PROJ #:	SIZE	DRAWING NO	REV
PROJECT #: --	B	50026140	A
DOCUMENT TYPE: SALES			
REL LEVEL: Released			