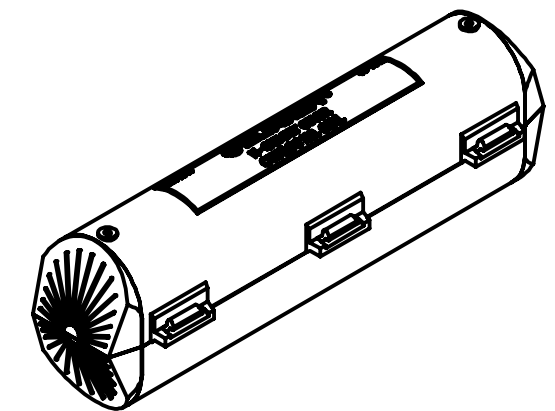
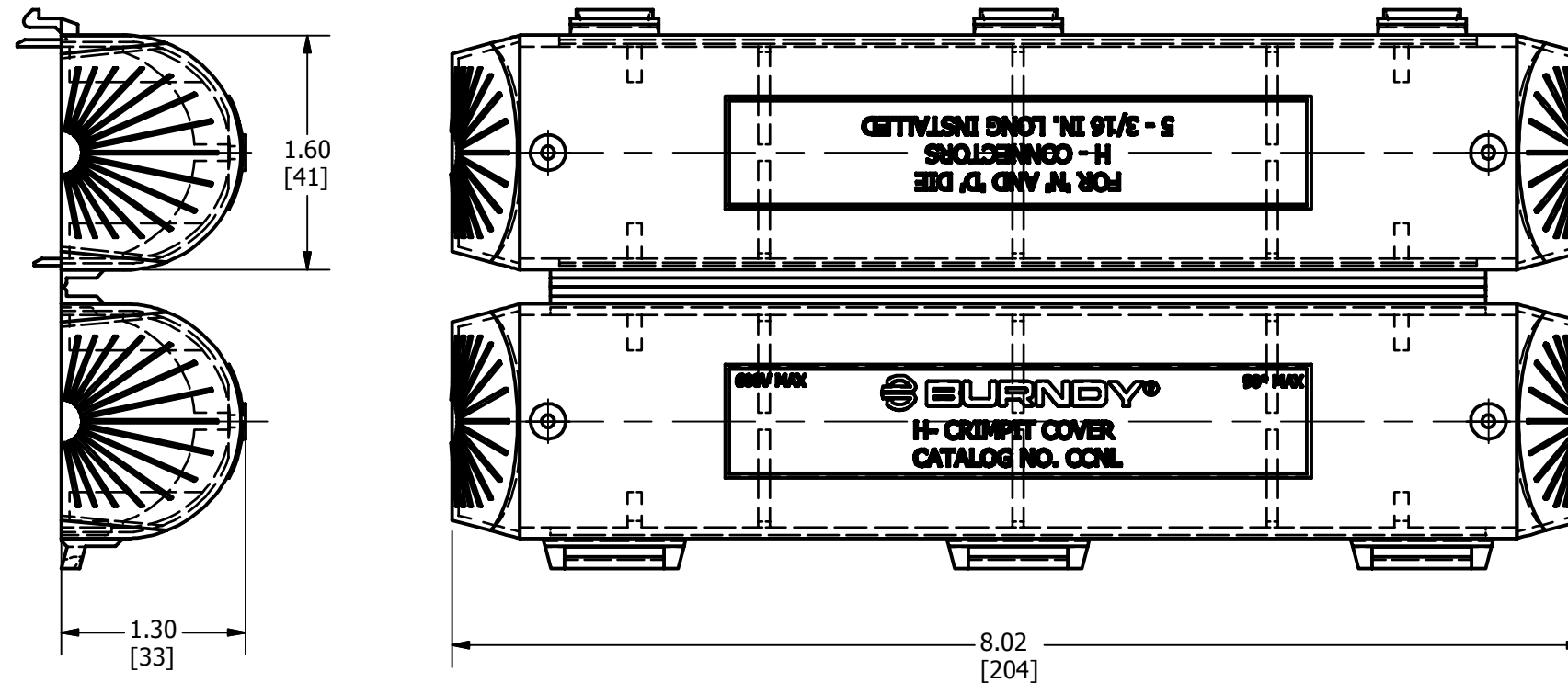


CONDUCTOR RANGE	MAXIMUM CONNECTOR LENGTH	CONNECTOR SERIES ACCOMMODATES
#6-600 kcmil	5 - 3/16	LONG 'N' DIE AND YP28U26

REV	DATE	DESCRIPTION	ECO	BY	C'HK.
A	07/02/2013	NEW SALES DRAWING CREATION	32345	DD	MB



NOTES:

1. MATERIAL: HIGH DENSITY POLYETHYLENE.
2. COLOR: BLACK
3. DIMENSIONS IN BRACKETS [] ARE IN MILLIMETERS ROUNDED OFF TO THE NEAREST MILLIMETER, UNLESS OTHERWISE SPECIFIED AND ARE FOR REFERENCE ONLY.

TO ORDER BURNDY® PRODUCTS CALL		H - CRIMPIT INSUL. COVER (UTILITY)	
UNITED STATES 1-800-346-4175 (LONDONDERRY, NH)		ITEM NO: 161230	
CANADA: 1-800-361-6975 (QUEBEC) 1-800-387-6487 (ALL OTHER PROVINCES)		CAT. NO: CCNL	
FOR PRODUCT INFO: http://www.burndy.com		DRAWN BY: D DHEENA 6/10/2013	
		CHECKER: W ZAHLMAN 7/2/2013	
		DSN APRVL: W ZAHLMAN 7/2/2013	
		MFG APRVL: --	
		QA APRVL: --	
		MKT APRVL: J HALL 7/29/2013	
		PROD FAM: --	
		DRAWING NO	
		50026724	
		REV	
		A	
		SHEET 1 OF 1	